

Standardised Water Pump

Etanorm

Installation/Operating Manual



Legal information/Copyright

Installation/Operating Manual Etanorm

Original operating manual

All rights reserved. The contents provided herein must neither be distributed, copied, reproduced, edited or processed for any other purpose, nor otherwise transmitted, published or made available to a third party without the manufacturer's express written consent.

Subject to technical modification without prior notice.

© KSB SE & Co. KGaA, Frankenthal 2023-02-08

Contents

| | | |
|----------|--|-----------|
| | Glossary | 6 |
| 1 | General..... | 7 |
| | 1.1 Principles | 7 |
| | 1.2 Installation of partly completed machinery..... | 7 |
| | 1.3 Target group..... | 7 |
| | 1.4 Other applicable documents..... | 7 |
| | 1.5 Symbols | 7 |
| | 1.6 Key to safety symbols/markings..... | 8 |
| 2 | Safety | 9 |
| | 2.1 General..... | 9 |
| | 2.2 Intended use | 9 |
| | 2.3 Personnel qualification and training..... | 9 |
| | 2.4 Consequences and risks caused by non-compliance with this manual | 10 |
| | 2.5 Safety awareness | 10 |
| | 2.6 Safety information for the operator/user | 10 |
| | 2.7 Safety information for maintenance, inspection and installation | 10 |
| | 2.8 Unauthorised modes of operation | 11 |
| | 2.9 Explosion protection | 11 |
| | 2.9.1 Marking | 11 |
| | 2.9.2 Temperature limits..... | 11 |
| | 2.9.3 Monitoring equipment..... | 12 |
| | 2.9.4 Operating limits | 12 |
| 3 | Transport/Storage/Disposal | 13 |
| | 3.1 Checking the condition upon delivery | 13 |
| | 3.2 Transport..... | 13 |
| | 3.3 Storage/preservation | 14 |
| | 3.4 Return to supplier..... | 14 |
| | 3.5 Disposal | 15 |
| 4 | Description of the Pump (Set) | 16 |
| | 4.1 General description | 16 |
| | 4.2 Product information..... | 16 |
| | 4.2.1 Product information as per Ecodesign for Energy-Related Products Regulations 2010..... | 16 |
| | 4.2.2 Product information as per Regulation No. 1907/2006 (REACH) | 16 |
| | 4.3 Designation..... | 16 |
| | 4.4 Name plate..... | 19 |
| | 4.5 Design details..... | 19 |
| | 4.6 Configuration and function..... | 21 |
| | 4.7 Noise characteristics | 21 |
| | 4.8 Dimensions and weights | 22 |
| | 4.9 Scope of supply..... | 22 |
| 5 | Installation at Site | 23 |
| | 5.1 Safety regulations..... | 23 |
| | 5.2 Checks to be carried out prior to installation..... | 23 |
| | 5.3 Installing the pump set | 23 |
| | 5.3.1 Installation on the foundation..... | 24 |
| | 5.3.2 Installation without foundation | 25 |
| | 5.4 Piping | 25 |
| | 5.4.1 Connecting the piping | 25 |
| | 5.4.2 Permissible forces and moments at the pump nozzles..... | 27 |
| | 5.4.3 Vacuum balance line..... | 29 |
| | 5.4.4 Auxiliary connections..... | 30 |
| | 5.5 Enclosure/insulation | 31 |

| | | |
|----------|---|-----------|
| 5.6 | Checking the coupling alignment | 31 |
| 5.7 | Aligning the pump and motor | 33 |
| 5.7.1 | Motors with adjusting screw | 34 |
| 5.7.2 | Motors without adjusting screw | 34 |
| 5.8 | Electrical connection | 35 |
| 5.8.1 | Setting the time relay | 36 |
| 5.8.2 | Earthing | 36 |
| 5.8.3 | Connecting the motor | 36 |
| 5.9 | Checking the direction of rotation..... | 37 |
| 6 | Commissioning/Start-up/Shutdown..... | 38 |
| 6.1 | Commissioning/Start-up..... | 38 |
| 6.1.1 | Prerequisites for commissioning/start-up | 38 |
| 6.1.2 | Filling in the lubricants | 38 |
| 6.1.3 | Priming and venting the pump..... | 39 |
| 6.1.4 | Final check | 40 |
| 6.1.5 | Start-up..... | 41 |
| 6.1.6 | Checking the shaft seal..... | 42 |
| 6.1.7 | Shutdown | 43 |
| 6.2 | Operating limits..... | 44 |
| 6.2.1 | Ambient temperature..... | 44 |
| 6.2.2 | | 44 |
| 6.2.3 | Fluid handled | 44 |
| 6.3 | Shutdown/storage/preservation | 45 |
| 6.3.1 | Measures to be taken for shutdown..... | 45 |
| 6.4 | Returning to service | 46 |
| 7 | Servicing/Maintenance..... | 47 |
| 7.1 | Safety regulations..... | 47 |
| 7.2 | Servicing/inspection..... | 48 |
| 7.2.1 | Supervision of operation | 48 |
| 7.2.2 | Inspection work..... | 50 |
| 7.2.3 | Lubrication and lubricant change of rolling element bearings | 51 |
| 7.3 | Drainage/cleaning | 54 |
| 7.4 | Dismantling the pump set..... | 54 |
| 7.4.1 | General information/Safety regulations..... | 54 |
| 7.4.2 | Preparing the pump set..... | 55 |
| 7.4.3 | Removing the motor..... | 55 |
| 7.4.4 | Removing the back pull-out unit | 56 |
| 7.4.5 | Removing the impeller | 56 |
| 7.4.6 | Removing the shaft seal | 57 |
| 7.4.7 | Dismantling the bearings | 57 |
| 7.5 | Reassembling the pump set..... | 58 |
| 7.5.1 | General information/Safety regulations..... | 58 |
| 7.5.2 | Fitting the bearings | 59 |
| 7.5.3 | Fitting the shaft seal | 61 |
| 7.5.4 | Fitting the impeller | 64 |
| 7.5.5 | Installing the back pull-out unit..... | 64 |
| 7.5.6 | Mounting the motor | 64 |
| 7.6 | Tightening torques..... | 65 |
| 7.6.1 | Tightening torques for the pump | 65 |
| 7.6.2 | Tightening torques for the pump set | 66 |
| 7.7 | Spare parts stock..... | 67 |
| 7.7.1 | Ordering spare parts..... | 67 |
| 7.7.2 | Recommended spare parts stock..... | 67 |
| 8 | Trouble-shooting..... | 69 |
| 9 | Related Documents | 71 |
| 9.1 | General assembly drawings | 71 |
| 9.1.1 | Version with standardised mechanical seal and bolted casing cover | 71 |

| | | |
|-----------|---|-----------|
| 9.1.2 | Version with standardised mechanical seal and clamped casing cover..... | 73 |
| 9.1.3 | Version with gland packing and bolted casing cover..... | 75 |
| 9.1.4 | Version with gland packing and clamped casing cover..... | 77 |
| 9.1.5 | Version with reinforced bearings..... | 78 |
| 9.1.6 | Version with oil lubrication and constant level oiler..... | 79 |
| 10 | UK Declaration of Conformity..... | 80 |
| 11 | Certificate of Decontamination..... | 81 |
| | Index | 82 |

Glossary

ACS

French drinking water regulations (ACS = Attestation de Conformité Sanitaire)

Back pull-out design

The complete back pull-out unit can be pulled out without having to remove the pump casing from the piping.

Back pull-out unit

Pump without pump casing; partly completed machinery

Certificate of decontamination

A certificate of decontamination is enclosed by the customer when returning the product to the manufacturer to certify that the product has been properly drained to eliminate any environmental and health hazards arising from components in contact with the fluid handled.

Discharge line

The pipeline which is connected to the discharge nozzle

FM

Certification by FM Global (FM = Factory Mutual) regarding property insurance in industry and risk management; FM Approved products

Hydraulic system

The part of the pump in which the kinetic energy is converted into pressure energy

Pool of pumps

Customers/operators' pumps which are purchased and stored regardless of their later use.

Pump

Machine without drive, additional components or accessories

Pump set

Complete pump set consisting of pump, drive, additional components and accessories

Suction lift line/suction head line

The pipeline which is connected to the suction nozzle

UBA

German drinking water regulations to German Environment Agency

UL

Certification of materials, components and end products regarding product safety (UL = Underwriters Laboratories)

VdS

Certification for fire protection and safety by VdS

WRAS

Approved by all water suppliers in the UK (WRAS = Water Regulations Advisory Scheme)

1 General

1.1 Principles

This operating manual is valid for the type series and variants indicated on the front cover.

The operating manual describes the proper and safe use of this equipment in all phases of operation.

The name plate indicates the type series and size, the main operating data, the order number and the order item number. The order number and order item number clearly identify the pump set and serve as identification for all further business processes.

In the event of damage, immediately contact your nearest KSB service facility to maintain the right to claim under warranty.

1.2 Installation of partly completed machinery

To install partly completed machinery supplied by KSB refer to the sub-sections under Servicing/Maintenance.

1.3 Target group

This operating manual is aimed at the target group of trained and qualified specialist technical personnel. (⇒ Section 2.3, Page 9)

1.4 Other applicable documents

Table 1: Overview of other applicable documents

| Document | Contents |
|---|---|
| Data sheet | Description of the technical data of the pump (set) |
| General arrangement drawing / outline drawing | Description of mating dimensions and installation dimensions for the pump (set), weights |
| Drawing of auxiliary connections | Description of auxiliary connections |
| Hydraulic characteristic curve | Characteristic curves showing head, NPSH required, efficiency and power input |
| General assembly drawing ¹⁾ | Sectional drawing of the pump |
| Sub-supplier product literature ¹⁾ | Operating manuals and other product literature describing accessories and integrated machinery components |
| Spare parts lists ¹⁾ | Description of spare parts |
| Piping layout ¹⁾ | Description of auxiliary piping |
| List of components ¹⁾ | Description of all pump components |
| Assembly drawing ¹⁾ | Sectional drawing of the installed shaft seal |


For accessories and/or integrated machinery components, observe the relevant manufacturer's product literature.

1.5 Symbols

Table 2: Symbols used in this manual







| Symbol | Description |
|--------|--|
| ✓ | Conditions which need to be fulfilled before proceeding with the step-by-step instructions |
| ▷ | Safety instructions |
| ⇨ | Result of an action |
| ⇨ | Cross-references |

¹ If included in agreed scope of supply

| Symbol | Description |
|---|--|
| 1. 2. | Step-by-step instructions |
|  | Note Recommendations and important information on how to handle the product |

1.6 Key to safety symbols/markings

Table 3: Definition of safety symbols/markings

| Symbol | Description |
|--|---|
|  DANGER | DANGER This signal word indicates a high-risk hazard which, if not avoided, will result in death or serious injury. |
|  WARNING | WARNING This signal word indicates a medium-risk hazard which, if not avoided, could result in death or serious injury. |
| CAUTION | CAUTION This signal word indicates a hazard which, if not avoided, could result in damage to the machine and its functions. |
|  | Explosion protection This symbol identifies information about avoiding explosions in potentially explosive atmospheres in accordance with the UK regulation titled Equipment and Protective Systems Intended for Use in Potentially Explosive Atmospheres Regulations 2016. |
|  | General hazard In conjunction with one of the signal words this symbol indicates a hazard which will or could result in death or serious injury. |
|  | Electrical hazard In conjunction with one of the signal words this symbol indicates a hazard involving electrical voltage and identifies information about protection against electrical voltage. |
|  | Machine damage In conjunction with the signal word CAUTION this symbol indicates a hazard for the machine and its functions. |



2 Safety

All the information contained in this section refers to hazardous situations.

In addition to the present general safety information the action-related safety information given in the other sections must be observed.

2.1 General

- This operating manual contains general installation, operating and maintenance instructions that must be observed to ensure safe operation of the system and prevent personal injury and damage to property.
- Comply with all the safety instructions given in the individual sections of this operating manual.
- The operating manual must be read and understood by the responsible specialist personnel/operators prior to installation and commissioning.
- The contents of this operating manual must be available to the specialist personnel at the site at all times.
- Information and markings attached directly to the product must always be complied with and kept in a perfectly legible condition at all times. This applies to, for example:
 - Arrow indicating the direction of rotation
 - Markings for connections
 - Name plate
- The operator is responsible for ensuring compliance with all local regulations not taken into account.

2.2 Intended use

- The pump (set) must only be operated in the fields of application and within the use limits specified in the other applicable documents.
- Only operate pumps/pump sets which are in perfect technical condition.
- Do not operate the pump (set) in partially assembled condition.
- Only use the pump (set) to handle the fluids described in the data sheet or product literature of the pump variant.
- Never operate the pump (set) without the fluid to be handled.
- Observe the minimum flow rate and maximum flow rate indicated in the data sheet or product literature (to prevent overheating, mechanical seal damage, cavitation damage, bearing damage, etc).
- Always operate the pump (set) in the direction of rotation it is intended for.
- Do not throttle the flow rate on the suction side of the pump (to prevent cavitation damage).
- Consult the manufacturer about any use or mode of operation not described in the data sheet or product literature.

2.3 Personnel qualification and training

All personnel involved must be fully qualified to transport, install, operate, maintain and inspect the machinery this manual refers to.

The responsibilities, competence and supervision of all personnel involved in transport, installation, operation, maintenance and inspection must be clearly defined by the operator.

Deficits in knowledge must be rectified by means of training and instruction provided by sufficiently trained specialist personnel. If required, the operator can commission the manufacturer/supplier to train the personnel.

Training on the pump (set) must always be supervised by technical specialist personnel.

2.4 Consequences and risks caused by non-compliance with this manual

- Non-compliance with these operating instructions will lead to forfeiture of warranty cover and of any and all rights to claims for damages.
- Non-compliance can, for example, have the following consequences:
 - Hazards to persons due to electrical, thermal, mechanical and chemical effects and explosions
 - Failure of important product functions
 - Failure of prescribed maintenance and servicing practices
 - Hazard to the environment due to leakage of hazardous substances

2.5 Safety awareness

In addition to the safety information contained in this operating manual and the intended use, the following safety regulations shall be complied with:

- Accident prevention, health regulations and safety regulations
- Explosion protection regulations
- Safety regulations for handling hazardous substances
- Applicable standards, directives and laws

2.6 Safety information for the operator/user

- Fit protective equipment (e.g. contact guards) supplied by the operator for hot, cold or moving parts, and check that the equipment functions properly.
- Do not remove any protective equipment (e.g. contact guards) during operation.
- Provide the personnel with protective equipment and make sure it is used.
- Contain leakages (e.g. at the shaft seal) of hazardous fluids handled (e.g. explosive, toxic, hot) so as to avoid any danger to persons and the environment. Adhere to all relevant laws.
- Eliminate all electrical hazards. (In this respect refer to the applicable national safety regulations and/or regulations issued by the local energy supply companies.)
- If stopping the pump does not increase potential risk, fit an emergency-stop control device in the immediate vicinity of the pump (set) during pump set installation.

2.7 Safety information for maintenance, inspection and installation

- Modifications or alterations of the pump (set) are only permitted with the manufacturer's prior consent.
- Use only original spare parts or parts/components authorised by the manufacturer. The use of other parts/components can invalidate any liability of the manufacturer for resulting damage.
- The operator ensures that maintenance, inspection and installation are performed by authorised, qualified specialist personnel who are thoroughly familiar with the manual.
- Only carry out work on the pump (set) during standstill of the pump.
- Only perform work on the pump set when it has been disconnected from the power supply (de-energised).
- The pump (set) must have cooled down to ambient temperature.
- Pump pressure must have been released and the pump must have been drained.

- When taking the pump set out of service always adhere to the procedure described in the manual. (⇒ Section 6.1.7, Page 43) (⇒ Section 6.3, Page 45)
- Decontaminate pumps which handle fluids posing a health hazard. (⇒ Section 7.3, Page 54)
- As soon as the work has been completed, re-install and re-activate any safety-relevant devices and protective devices. Before returning the product to service, observe all instructions on commissioning. (⇒ Section 6.1, Page 38)

2.8 Unauthorised modes of operation

Never operate the pump (set) outside the limits stated in the data sheet and in this operating manual.

The warranty relating to the operating reliability and safety of the pump (set) supplied is only valid if the equipment is used in accordance with its intended use. (⇒ Section 2.2, Page 9)

2.9 Explosion protection



Always observe the information on explosion protection given in this section when operating the product in potentially explosive atmospheres.

Pumps/Pump sets must not be used in potentially explosive atmospheres unless marked as explosion-proof **and** identified as such in the data sheet.

Special conditions apply to the operation of explosion-proof pump sets in accordance with the UK's *Equipment and Protective Systems Intended for Use in Potentially Explosive Atmospheres Regulations 2016*.

Especially adhere to the sections in this manual marked with the symbol opposite and the following sections, (⇒ Section 2.9.1, Page 11) to (⇒ Section 2.9.4, Page 12) The explosion-proof status of the pump is only assured if the pump is used in accordance with its intended use.

Never operate the product outside the limits stated in the data sheet and on the name plate.

Prevent impermissible modes of operation at all times.

2.9.1 Marking

Pump The marking on the pump refers to the pump part only.

Example of such marking:
II 2G Ex h IIC T5-T1 Gb

Refer to the Temperature limits table for the maximum temperatures permitted for the individual pump variants. (⇒ Section 2.9.2, Page 11)

The pump complies with the requirements of type of protection constructional safety "c" to ISO 80079-37.

Shaft coupling An EC manufacturer's declaration is required for the shaft coupling; the shaft coupling must be marked accordingly.

Motor The motor must be considered separately.

2.9.2 Temperature limits

In normal pump operation, the highest temperatures are to be expected at the surface of the pump casing, at the shaft seal and in the bearing areas.

The surface temperature at the pump casing corresponds to the temperature of the fluid handled. If the pump is heated in addition, the operator of the system is responsible for observing the specified temperature class and fluid temperature (operating temperature).

The table (⇒ Table 4) lists the temperature classes and the resulting maximum permissible temperature limits of the fluid handled. The values shown correspond to the theoretical limits. They include only a general safety margin for the mechanical seal. For single mechanical seals, the safety margin required for specific operating conditions and mechanical seal designs may be substantially higher. If operating

conditions differ from those stated on the data sheet, or if different mechanical seals are used, the actual safety margin required needs to be determined individually. If in doubt please contact the manufacturer.

The temperature class specifies the maximum permissible temperature at the surface of the pump set during operation.

For the permissible operating temperature of the pump in question refer to the data sheet.

Table 4: Temperature limits

| Temperature class to ISO 80079-36 | Maximum permissible fluid temperature ²⁾ |
|-----------------------------------|---|
| T1 | Temperature limit of the pump |
| T2 | 280 °C |
| T3 | 185 °C |
| T4 | 120 °C |
| T5 | 85 °C |
| T6 | Only after consultation with the manufacturer |

In the following cases, and if ambient temperatures are higher, contact the manufacturer.

Temperature class T5 Based on an ambient temperature of 40 °C and proper maintenance and operation, compliance with temperature class T5 is warranted in the area of the rolling element bearings. If the ambient temperature exceeds 40 °C, contact the manufacturer.

Temperature class T6 If temperature class T6 must be complied with, special measures may be required with regard to bearing temperature.

Misuse, malfunctions or non-compliance with the instructions may result in substantially higher temperatures.

If the pump is to be operated at a higher temperature, the data sheet is missing or if the pump is part of a pool of pumps, contact KSB for the maximum permissible operating temperature.

2.9.3 Monitoring equipment

The pump (set) must only be operated within the limits specified in the data sheet and on the name plate.

If the system operator cannot warrant compliance with these operating limits, appropriate monitoring devices must be used.

Check whether monitoring equipment is required to ensure that the pump set functions properly.

Contact KSB for further information about monitoring equipment.

2.9.4 Operating limits

The minimum flow rates indicated in (⇒ Section 6.2.3.1, Page 44) refer to water and water-like fluids handled. Longer operating periods with these fluids and at the flow rates indicated will not cause an additional increase in the temperatures at the pump surface. However, if the physical properties of the fluids handled are different from water, it is essential to check whether an additional heat build-up may occur and if the minimum flow rate must therefore be increased. The calculation formula in (⇒ Section 6.2.3.1, Page 44) can be used to check whether an additional heat build-up may lead to a dangerous temperature increase at the pump surface.

² Subject to further limitations for mechanical seal temperature rise

3 Transport/Storage/Disposal

3.1 Checking the condition upon delivery

1. On transfer of goods, check each packaging unit for damage.
2. In the event of in-transit damage, assess the exact damage, document it and notify KSB or the supplying dealer and the insurer about the damage in writing immediately.

3.2 Transport

| | |
|--|--|
| | DANGER |
| | <p>The pump (set) could slip out of the suspension arrangement Danger to life from falling parts!</p> <ul style="list-style-type: none"> ▷ Always transport the pump (set) in the specified position. ▷ Never attach the suspension arrangement to the free shaft end or the motor eyebolt. ▷ Observe the information about weights, centre of gravity and fastening points. ▷ Observe the applicable local accident prevention regulations. ▷ Use suitable, permitted lifting accessories, e.g. self-tightening lifting tongs. |

To transport the pump/pump set or back pull-out unit suspend it from the lifting tackle as shown.

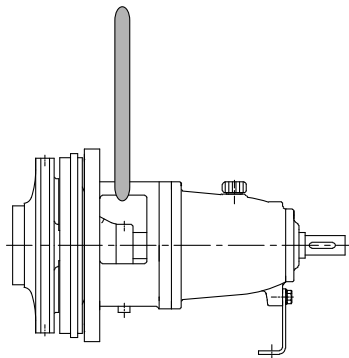


Fig. 1: Transporting the back pull-out unit

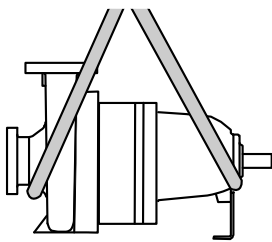


Fig. 2: Transporting the pump

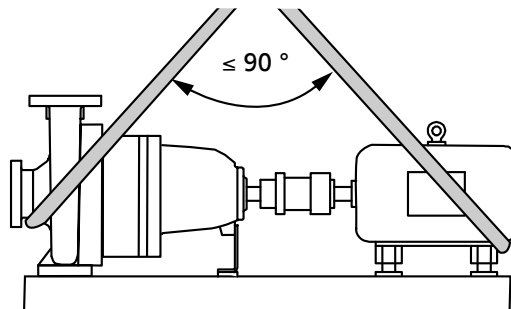


Fig. 3: Transporting the pump set

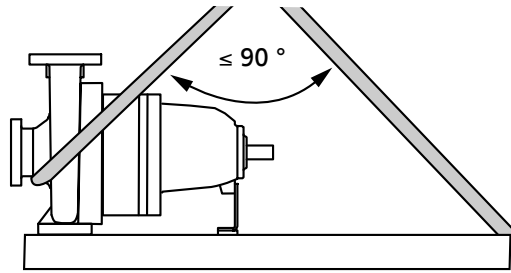


Fig. 4: Transporting the pump on the baseplate

3.3 Storage/preservation

| | |
|--|---|
| | CAUTION |
| | <p>Damage during storage due to humidity, dirt or vermin Corrosion/contamination of pump (set)!</p> <p>▷ For outdoor storage cover the pump (set) and accessories with waterproof material and protect against condensation.</p> |
| | CAUTION |
| | <p>Wet, contaminated or damaged openings and connections Leakage or damage to the pump!</p> <p>▷ Clean and cover pump openings and connections as required prior to putting the pump into storage.</p> |

If commissioning is to take place some time after delivery, we recommend that the following measures be taken for pump (set) storage.

- Store the pump (set) in a dry, protected room where the atmospheric humidity is as constant as possible.
- Rotate the shaft by hand once a month, e.g. via the motor fan.

If properly stored indoors, the pump set is protected for a maximum of 12 months. New pumps/pump sets are supplied by our factory duly prepared for storage.



For storing a pump (set) which has already been operated, the shutdown measures must be adhered to. (⇒ Section 6.3.1, Page 45)

3.4 Return to supplier

1. Drain the pump as per operating instructions. (⇒ Section 7.3, Page 54)
2. Flush and clean the pump, particularly if it has been used for handling noxious, explosive, hot or other hazardous fluids.
3. If the pump has handled fluids whose residues could lead to corrosion damage in the presence of atmospheric humidity or could ignite upon contact with oxygen, the pump must also be neutralised, and anhydrous inert gas must be blown through the pump to ensure drying.
4. Always complete and enclose a certificate of decontamination when returning the pump.
Indicate any safety measures and decontamination measures taken.
(⇒ Section 11, Page 81)

| | |
|--|--|
| | NOTE |
| | <p>If required, a blank certificate of decontamination can be downloaded from the following web site: www.ksb.com/certificate_of_decontamination</p> |

3.5 Disposal

| | |
|---|---|
|  |  WARNING |
| | <p>Fluids handled, consumables and supplies which are hot and/or pose a health hazard</p> <p>Hazard to persons and the environment!</p> <ul style="list-style-type: none">▷ Collect and properly dispose of flushing fluid and any fluid residues.▷ Wear safety clothing and a protective mask if required.▷ Observe all legal regulations on the disposal of fluids posing a health hazard. |

1. Dismantle the pump (set).
Collect greases and other lubricants during dismantling.
2. Separate and sort the pump materials, e.g. by:
 - Metals
 - Plastics
 - Electronic waste
 - Greases and other lubricants
3. Dispose of materials in accordance with local regulations or in another controlled manner.

4 Description of the Pump (Set)

4.1 General description

- Standardised water pump with shaft seal
- Handling clean or aggressive fluids not chemically and mechanically aggressive to the pump materials.

4.2 Product information

4.2.1 Product information as per Ecodesign for Energy-Related Products Regulations 2010

- Minimum efficiency index: see name plate, key to name plate
- The benchmark for the most efficient water pumps is $MEI \geq 0.70$.
- Year of construction: see name plate, key to name plate
- Manufacturer's name or trade mark, commercial registration number and place of manufacture: see data sheet or order documentation
- Product's type and size identifier: see name plate, key to name plate
- Hydraulic pump efficiency (%) with trimmed impeller: see data sheet
- Pump performance curves, including efficiency characteristics: see documented characteristic curve
- The efficiency of a pump with a trimmed impeller is usually lower than that of a pump with the full impeller diameter. Trimming of the impeller will adapt the pump to a fixed duty point, leading to reduced energy consumption. The minimum efficiency index (MEI) is based on the full impeller diameter.
- Operation of this water pump with variable duty points may be more efficient and economic when controlled, for example, by the use of a variable speed drive that matches the pump duty to the system.
- Information on dismantling, recycling and disposal after decommissioning: (⇒ Section 3.5, Page 15)
- Information on benchmark efficiency or benchmark efficiency graph for $MEI = 0.70$ (0.40) for the pump based on the model shown in the Figure are available at: <http://www.europump.org/efficiencycharts>

4.2.2 Product information as per Regulation No. 1907/2006 (REACH)

For information as per European chemicals regulation (EC) No. 1907/2006 (REACH) see <https://www.ksb.com/en-global/company/corporate-responsibility/reach>.

4.3 Designation

Table 5: Designation example

| Position | | | | | | | | | | | | | | | | | | | | | | | | | | | | | | | | | | | | |
|-------------------------------|---|---|---|---|---|---|---|---|----|----|----|----|----|----|----|----|----|----|----|----|----|----|----|----|----------------|----|----|----|----|----|----|----|----|----|----|----|
| 1 | 2 | 3 | 4 | 5 | 6 | 7 | 8 | 9 | 10 | 11 | 12 | 13 | 14 | 15 | 16 | 17 | 18 | 19 | 20 | 21 | 22 | 23 | 24 | 25 | 26 | 27 | 28 | 29 | 30 | 31 | 32 | 33 | 34 | 35 | 36 | 37 |
| E | T | N | | 0 | 5 | 0 | - | 0 | 3 | 2 | - | 1 | 2 | 5 | 1 | G | G | S | A | S | 1 | 1 | G | B | 2 | 1 | 3 | 2 | 0 | 2 | B | P | D | 2 | E | M |
| See name plate and data sheet | | | | | | | | | | | | | | | | | | | | | | | | | See data sheet | | | | | | | | | | | |

Table 6: Designation key

| Position | Code | Description |
|----------|------------|--|
| 1-4 | Pump type | |
| | ETN | Etanorm |
| | ETNF | Etanorm fire-fighting pump |
| 5-16 | Size, e.g. | |
| | 050 | Nominal suction nozzle diameter [mm] |
| | 032 | Nominal discharge nozzle diameter [mm] |

| Position | Code | Description | | |
|----------|-----------------------------------|---|-----------------------------------|---------------------|
| 5-16 | 1251 | Nominal impeller diameter [mm] | | |
| 17 | Pump casing material | | | |
| | B | Bronze | CC480K-GS / B30 C90700 | |
| | C | Stainless steel | 1.4408 / A743CF8M | |
| | G | Cast iron | EN-GJL-250 / A48CL35 | |
| | S | Nodular cast iron | EN-GJS-400-15 / A536 Gr. 60-40-18 | |
| 18 | Impeller material | | | |
| | B | Bronze | CC480K-GS / B30 C90700 | |
| | C | Stainless steel | 1.4408 / A743CF8M | |
| | G | Cast iron | EN-GJL-250 / A48CL35 | |
| | I | Bronze ³⁾ | IS318 LTB | |
| | O | Cast steel | 1.4008 / A743CF8M | |
| | S | Nodular cast iron | EN-GJS-400-15 / A536 Gr. 60-40-18 | |
| 19 | Variant | | | |
| | A | Fire-fighting variant to APSAD | | |
| | H | Approved for drinking water to ACS | | |
| | K | Approved for drinking water to KSB standard | | |
| | M | Fire-fighting variant to FM or UL | | |
| | N | Fire-fighting variant, non-listed | | |
| | S | Standard | | |
| | U | Approved for drinking water to UBA | | |
| | V | Fire-fighting variant to VdS | | |
| | W | Approved for drinking water to WRAS | | |
| | X | Non-standard (BT3D, BT3) | | |
| 20 | Casing cover | | | |
| | A | Conical cover for version with single mechanical seal | | |
| | C | Cylindrical cover for version with gland packing or double mechanical seal | | |
| 21 | Shaft seal type | | | |
| | A | Single mechanical seal, conical cover without internal circulation | | |
| | D | Double mechanical seal in back-to-back arrangement | | |
| | E | Single mechanical seal, external circulation | | |
| | F | Single mechanical seal, external flushing | | |
| | I | Single mechanical seal, internal circulation (only for version with conical cover) | | |
| | P | Gland packing | | |
| | S | Single mechanical seal, internal circulation, discharge cover with anti-swirl baffles (only for version with conical cover) | | |
| | T | Double mechanical seal in tandem arrangement with internal circulation | | |
| 22-23 | Seal code of gland packing | | | |
| | 1A | P1, with internal barrier fluid (Na), material RT/P (for hot water of up to 120 °C) | | |
| | 1B | P2, without barrier fluid (Nb), material RT/P (for hot water of up to 120 °C) | | |
| | 1C | P3, with external barrier fluid (Nc), material RT/P (for hot water of up to 110 °C) | | |
| | 1D | P4, with external flushing liquid (VSH), material RT/P (for hot water of up to 110 °C) | | |
| | 3B | P2, without barrier fluid (Nb), material BUP901/B5 (for hot water of up to 140 °C) | | |
| | 5A | P1, with internal barrier fluid (Na), material HE1727 (surface treatment technology) | | |
| | 5B | P2, without barrier fluid (Nb), material HE1727 (surface treatment technology) | | |
| | Seal code, single mechanical seal | | | |
| | 01 | Q1Q1VGG | 1 (ZN1181) | ≥ -20 - ≤ +110[°C] |
| | 06 | U3BEGG | RMG13G606 | ≥ -30 - ≤ +140 [°C] |

³ Only applicable to Indian sites

| Position | Code | Description | | | |
|---|---|--|--------------------|---------------------|--|
| 22-23 | 07 | Q1Q1EGG | 1A (ZN1181) | ≥ -30 - ≤ +110 [°C] | |
| | 08 | AQ1VGG | M32N69 | ≥ -30 - ≤ +110 [°C] | |
| | 09 | U3U3VGG | MG13G60 | ≥ -20 - ≤ +110[°C] | |
| | 10 | Q1Q1X4GG | 1 (ZN1181) | ≥ -20 - ≤ +110[°C] | |
| | 11 | BQ1EGG-WA | 1 (ZN1181) | ≥ -30 - ≤ +110 [°C] | |
| | 12 | Q12Q1M1GG1 | M37GN83 | ≥ -20 - ≤ +100 [°C] | |
| | 13 | BQ1VGG | 1 (ZN1181) | ≥ -20 - ≤ +110[°C] | |
| | 14 | Q1Q1KY7G | KMB13S2G9 | ≥ -20 - ≤ +120 [°C] | |
| | 15 | Q1Q1KGG | M7G49 | ≥ -20 - ≤ +110[°C] | |
| | 16 | BVPGG | MG1S20 | ≥ -20 - ≤ +110[°C] | |
| | 17 | Q1BVGG | M7N / 5A | ≥ -20 - ≤ +110[°C] | |
| | 22 | AQ1EGG | M32N69 | ≥ -30 - ≤ +140 [°C] | |
| | 66 | Q7Q7EGG | MG13G6 | ≥ -30 - ≤ +120 [°C] | |
| | 67 | Q6Q6X4GG | MG13G60 / MG1G61S6 | ≥ -20 - ≤ +110[°C] | |
| | Seal code, double mechanical seal in tandem arrangement | | | | |
| | 18 | Q1Q1EGG/G | MG12G6-E1 | ≥ -30 - ≤ +110 [°C] | |
| | | Q1Q1EGG-G | MG12G6-E1 | ≥ -30 - ≤ +110 [°C] | |
| | 19 | Q1Q1M1GG | HN400N | ≥ -30 - ≤ +110 [°C] | |
| | | Q1Q1EGG-G | MG12G6-E1 | ≥ -30 - ≤ +110 [°C] | |
| | 20 | Q12Q1M1GG1 | M37GN85 | ≥ -20 - ≤ +110[°C] | |
| | | Q1Q1EGG-G | MG12G6-E1 | ≥ -20 - ≤ +110[°C] | |
| | 23 | Q12Q1M1GG1 | M37GN92 | ≥ -20 - ≤ +110[°C] | |
| | | Q1Q1EGG-G | MG12G6-E1 | ≥ -20 - ≤ +110[°C] | |
| Seal code, double mechanical seal in back-to-back arrangement | | | | | |
| 21 | Q1Q1KGG | M7G49 | ≥ -20 - ≤ +110[°C] | | |
| | Q1Q1KGG | M7G49 | ≥ -20 - ≤ +110[°C] | | |
| 24 | Q1Q1KGG | M7G49 | ≥ -20 - ≤ +110[°C] | | |
| | Q1BVGG | M7N | ≥ -20 - ≤ +110[°C] | | |
| 24 | Bearing bracket | | | | |
| | G | Grease lubrication | | | |
| | O | Oil lubrication | | | |
| 25 | Scope of supply | | | | |
| | A | Pump only (Fig. 0) | | | |
| | B | Pump, baseplate | | | |
| | C | Pump, baseplate, coupling, coupling guard | | | |
| | D | Pump, baseplate, coupling, coupling guard, motor | | | |
| | E | Back pull-out unit | | | |
| 26 | Shaft unit | | | | |
| | 2 | Shaft unit 25, bearing bracket LS (standard) | | | |
| | 3 | Shaft unit 35, bearing bracket LS (standard) | | | |
| | 4 | Shaft unit 50, bearing bracket LR (reinforced) | | | |
| | 5 | Shaft unit 55, bearing bracket LS (standard) | | | |
| | 6 | Shaft unit 60, bearing bracket LR (reinforced) | | | |
| | 7 | Shaft unit 60.1, bearing bracket LR (reinforced) | | | |
| | 27-30 | Motor rating P _N [kW] | | | |
| 0007 | | 0,75 | | | |
| ... | | ... | | | |
| | 1320 | 132,00 | | | |
| 31 | Number of motor poles | | | | |

| Position | Code | Description |
|----------|--------------------|--|
| 32 | Product generation | |
| | B | Etanorm 2013 |
| 33-36 | Variant | |
| | - | Fixed speed version |
| | PD2 | Variable speed version, with PumpDrive 2 |
| | PD2E | Variable speed version, with PumpDrive 2 Eco |
| 37 | IFS | MyFlow Drive |
| | PumpMeter | |
| | M | PumpMeter |

4.4 Name plate

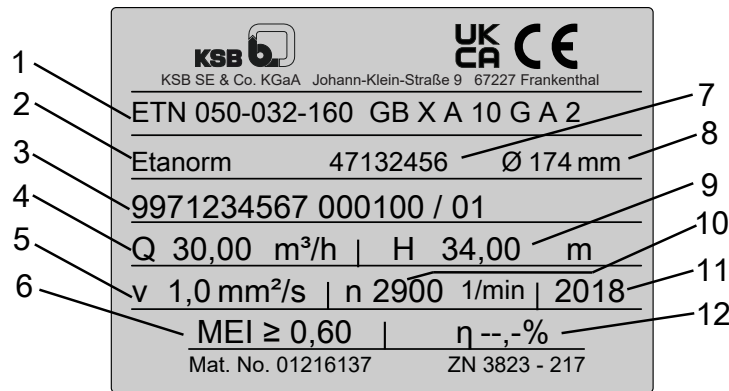


Fig. 5: Name plate (example) Etanorm

| | | | |
|----|---|----|-----------------------------|
| 1 | Type series code, size and version | 2 | Type series |
| 3 | KSB order No., order item No. and consecutive No. | 4 | Flow rate |
| 5 | Kinematic viscosity of the fluid handled | 6 | Minimum efficiency index |
| 7 | Material number (if applicable) | 8 | Impeller diameter |
| 9 | Head | 10 | Speed |
| 11 | Year of construction | 12 | Efficiency (see data sheet) |

4.5 Design details

Design

- Volute casing pump
- Horizontal installation
- Back pull-out design
- Single-stage
- Dimensions and ratings to EN 733

Pump casing

- Radially split volute casing
- Volute casing with integrally cast pump feet
- Replaceable casing wear rings (optional for pump casing material C)

Impeller type

- Closed radial impeller with multiply curved vanes

Bearings

- Standard bearings
 - Floating bearings: deep groove ball bearings
- Reinforced bearings
 - Floating bearings: deep groove ball bearings
- Bearings with bearing pedestal
 - Floating bearings: deep groove ball bearings

Shaft seal

- Gland packing
- Single mechanical seals and double mechanical seals to EN 12756
- Shaft equipped with replaceable shaft sleeve in the shaft seal area

Example: WS_25_LS

Table 7: Bearing bracket designation

| Code | Description |
|------|---|
| WS | Standardised water pump bearing bracket |
| 25 | Size code (based on dimensions of seal chamber and shaft end) |
| LS | Standard |
| LR | Reinforced |

Bearings used:

Table 8: Standard bearing assembly

| Version | Bearing bracket | Rolling element bearings | |
|--|-----------------|--------------------------|------------|
| | | Pump end | Drive end |
| Standard bearing assembly (grease lubrication) | WS_25_LS | 6305 2Z C3 | 6305 2Z C3 |
| | WS_35_LS | 6307 2Z C3 | 6307 2Z C3 |
| | WS_55_LS | 6311 2Z C3 | 6311 2Z C3 |
| Standard bearing assembly (oil lubrication) | WS_25_LS | 6305 C3 | 6305 C3 |
| | WS_35_LS | 6307 C3 | 6307 C3 |
| | WS_55_LS | 6311 C3 | 6311 C3 |
| Reinforced bearing assembly (grease lubrication) | WS_50_LR | 6310 2Z C3 | 6310 2Z C3 |
| | WS_60_LR | 6312 2Z C3 | 6312 2Z C3 |
| Reinforced bearing assembly (oil lubrication) | WS_50_LR | 6310 C3 | 6310 C3 |
| | WS_60_LR | 6312 C3 | 6312 C3 |
| Standard bearing pedestal (grease lubrication) | WS_25_PS | - | - |
| | WS_35_PS | - | - |
| | WS_55_PS | - | - |
| Standard bearing pedestal (oil lubrication) | WS_25_PS | - | - |
| | WS_35_PS | - | - |
| | WS_55_PS | - | - |

Lubrication:

- Grease lubrication
- Oil lubrication

4.6 Configuration and function

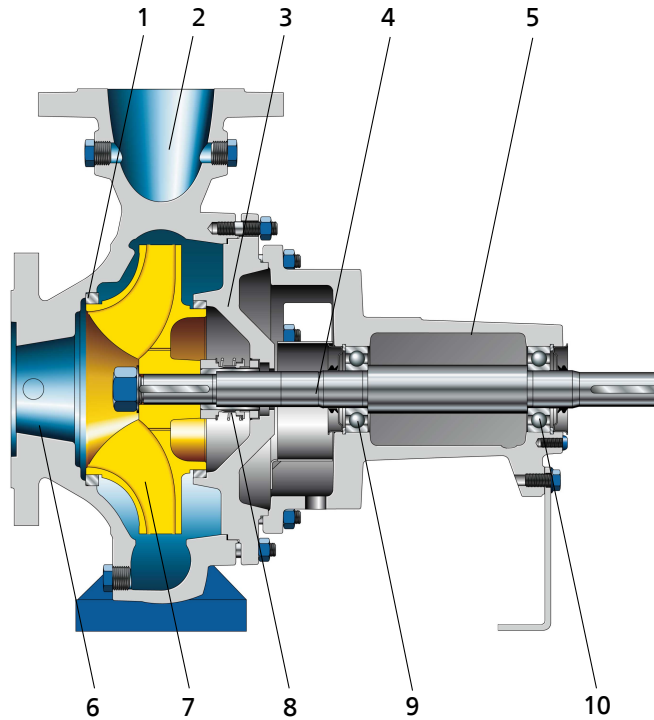


Fig. 6: Sectional drawing

| | | | |
|---|-----------------------------------|----|------------------------------------|
| 1 | Clearance gap | 2 | Discharge nozzle |
| 3 | Casing cover | 4 | Shaft |
| 5 | Bearing bracket | 6 | Suction nozzle |
| 7 | Impeller | 8 | Shaft seal |
| 9 | Rolling element bearing, pump end | 10 | Rolling element bearing, motor end |

Design The pump is designed with an axial fluid inlet and a radial outlet. The hydraulic system runs in its own bearings and is connected to the motor by a shaft coupling.

Function The fluid enters the pump axially via the suction nozzle (6) and is accelerated outward by the rotating impeller (7). In the flow passage of the pump casing the kinetic energy of the fluid is converted into pressure energy. The fluid is pumped to the discharge nozzle (2), where it leaves the pump. The clearance gap (1) prevents any fluid from flowing back from the casing to the suction nozzle. At the rear side of the impeller, the shaft (4) enters the casing via the casing cover (3). The shaft passage through the cover is sealed to atmosphere with a shaft seal (8). The shaft runs in rolling element bearings (9 and 10), which are supported by a bearing bracket (5) linked with the pump casing and/or casing cover.

Sealing The pump is sealed by a shaft seal (standardised mechanical seal or gland packing).

4.7 Noise characteristics

Table 9: Surface sound pressure level L_{pA} ^{4) 5)}

| Rated power input P_N [kW] | Pump | | | Pump set | | |
|------------------------------------|-----------------|------------------|------------------|-----------------|------------------|------------------|
| | 960 rpm [dB] | 1450 rpm [dB] | 2900 rpm [dB] | 960 rpm [dB] | 1450 rpm [dB] | 2900 rpm [dB] |
| 0,55 | 46 | 47 | 48 | 54 | 55 | 64 |
| 0,75 | 48 | 48 | 50 | 55 | 56 | 66 |

⁴⁾ Surface sound pressure level as per ISO 3744 and DIN EN ISO 20361 ; valid for a pump operating range of $Q/Q_{BEP} = 0.8 - 1.1$ and non-cavitating operation. If noise levels are to be guaranteed: Add +3 dB for measuring and constructional tolerance.

⁵⁾ Increase for 60 Hz operation: 3500 rpm +3 dB, 1750 rpm +1 dB

| Rated power input P_N [kW] | Pump | | | Pump set | | |
|------------------------------------|-----------------|------------------|------------------|-----------------|------------------|------------------|
| | 960 rpm [dB] | 1450 rpm [dB] | 2900 rpm [dB] | 960 rpm [dB] | 1450 rpm [dB] | 2900 rpm [dB] |
| 1,1 | 49 | 50 | 52 | 56 | 57 | 66 |
| 1,5 | 51 | 52 | 54 | 56 | 58 | 67 |
| 2,2 | 53 | 54 | 56 | 58 | 59 | 67 |
| 3 | 54 | 55 | 57 | 59 | 60 | 68 |
| 4 | 56 | 57 | 59 | 60 | 61 | 68 |
| 5,5 | 58 | 59 | 61 | 61 | 62 | 70 |
| 7,5 | 59 | 60 | 62 | 63 | 64 | 71 |
| 11 | 61 | 62 | 64 | 64 | 65 | 73 |
| 15 | 63 | 64 | 66 | 66 | 67 | 74 |
| 18,5 | 64 | 65 | 67 | 67 | 68 | 75 |
| 22 | 65 | 66 | 68 | 68 | 69 | 76 |
| 30 | 66 | 67 | 70 | 69 | 70 | 77 |
| 37 | 67 | 68 | 71 | 70 | 71 | 78 |
| 45 | 68 | 69 | 72 | 71 | 73 | 78 |
| 55 | 69 | 70 | 73 | 72 | 74 | 79 |
| 75 | - | 72 | 75 | - | 75 | 80 |
| 90 | - | 73 | 76 | - | 76 | 81 |
| 110 | - | 74 | 77 | - | 77 | 81 |
| 132 | - | 76 | 78 | - | 77 | 83 |
| 160 | - | 77 | 79 | - | 78 | 84 |
| 200 | - | - | 80 | - | - | 84 |

4.8 Dimensions and weights

For dimensions and weights refer to the general arrangement drawing/outline drawing of the pump/pump set.

4.9 Scope of supply

Depending on the model, the following items are included in the scope of supply:

- Pump
- Baseplate
- Coupling
- Coupling guard
- Drive
- Supply system for double mechanical seal

5 Installation at Site

5.1 Safety regulations

| | |
|--|--|
| | <p>⚠ DANGER</p> <p>Excessive temperatures in the shaft seal area Explosion hazard!</p> <ul style="list-style-type: none"> ▷ Never operate a pump (set) with gland packing in potentially explosive atmospheres. |
| | <p>NOTE</p> <p>Operating pump sets with gland packings in combination with a frequency inverter / variable speed system is not recommended.</p> |

5.2 Checks to be carried out prior to installation

Place of installation

| | |
|--|---|
| | <p>⚠ WARNING</p> <p>Installation on a mounting surface which is unsecured and cannot support the load Personal injury and damage to property!</p> <ul style="list-style-type: none"> ▷ Use a concrete of compressive strength class C12/15 which meets the requirements of exposure class XC1 to BS 206. ▷ The mounting surface must be set, even, and level. ▷ Observe the weights indicated. |
|--|---|

1. Check the structural requirements.
All structural work required must have been prepared in accordance with the dimensions stated in the outline drawing/general arrangement drawing.

5.3 Installing the pump set

Always install the pump set in a horizontal position.

| | |
|--|---|
| | <p>⚠ DANGER</p> <p>Excessive temperatures due to improper installation Explosion hazard!</p> <ul style="list-style-type: none"> ▷ Install the pump in a horizontal position to ensure self-venting of the pump. |
| | <p>⚠ DANGER</p> <p>Electrostatic charging due to insufficient potential equalisation Explosion hazard!</p> <ul style="list-style-type: none"> ▷ Make sure that the connection between pump and baseplate is electrically conductive. |

5.3.1 Installation on the foundation

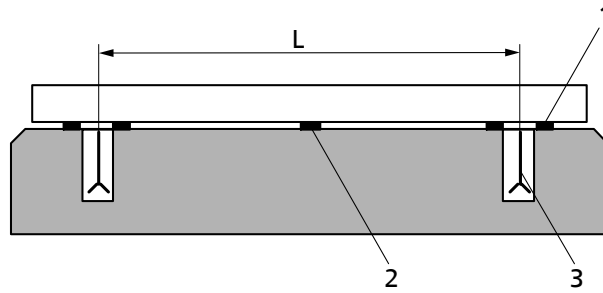


Fig. 7: Fitting the shims

| | | | |
|---|-----------------------|---|-----------------|
| L | Bolt-to-bolt distance | 1 | Shim |
| 2 | Shim if (L) > 800 mm | 3 | Foundation bolt |

- ✓ The foundation has the required strength and characteristics.
 - ✓ The foundation has been prepared in accordance with the dimensions given in the outline drawing/general arrangement drawing.
1. Position the pump set on the foundation and level it with the help of a spirit level placed on the shaft and discharge nozzle.
Permissible deviation: 0.2 mm/m
 2. Use shims (1) for height compensation, if necessary.
Always fit shims, if any, immediately to the left and right of the foundation bolts (3) between the baseplate/foundation frame and the foundation.
For a bolt-to-bolt distance (L) > 800 mm fit additional shims (2) halfway between the bolt holes.
All shims must lie perfectly flush.
 3. Insert the foundation bolts (3) into the holes provided.
 4. Use concrete to set the foundation bolts (3) into the foundation.
 5. Wait until the concrete has set firmly, then level the baseplate.
 6. Tighten the foundation bolts (3) evenly and firmly.

| | |
|--|--|
| | <p>NOTE</p> <p>For optimum smooth running, baseplates should be grouted with low-shrinkage concrete in the following cases:</p> <ul style="list-style-type: none"> - For all vibration-critical applications - Baseplates with a width > 400 mm - Baseplates made of grey cast iron |
| | <p>NOTE</p> <p>For low-noise operation contact the manufacturer to check whether the pump set can be installed on anti-vibration mounts.</p> |
| | <p>NOTE</p> <p>Expansion joints can be fitted between the pump and the suction line or discharge line.</p> |

5.3.2 Installation without foundation

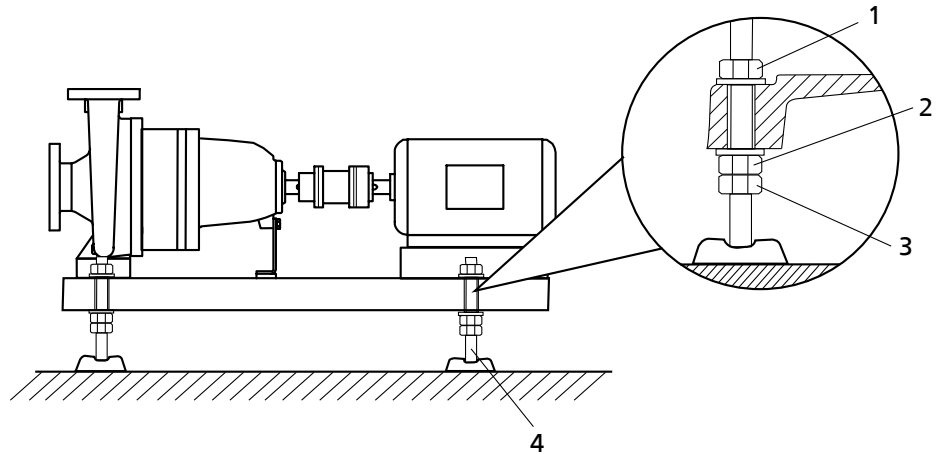


Fig. 8: Adjusting the levelling elements

| | | | |
|------|---------------|---|---------------|
| 1, 3 | Locknut | 2 | Adjusting nut |
| 4 | Machine mount | | |


- ✓ The installation surface has the required strength and characteristics.
- 1. Position the pump set on the machine mounts (4) and align it with the help of a spirit level (on the shaft/discharge nozzle).
- 2. To adjust any differences in height, loosen the locknuts (1, 3) of the machine mounts (4).
- 3. Turn the adjusting nut (2) until any differences in height have been compensated.
- 4. Re-tighten the locknuts (1, 3) at the machine mounts (4).

5.4 Piping


5.4.1 Connecting the piping

| | |
|--|--|
| | <p>⚠ DANGER</p> <p>Impermissible loads acting on the pump nozzles Danger to life from leakage of hot, toxic, corrosive or flammable fluids!</p> <ul style="list-style-type: none"> ▷ Do not use the pump as an anchorage point for the piping. ▷ Anchor the pipelines in close proximity to the pump and connect them properly without transmitting any stresses or strains. ▷ Observe the permissible forces and moments at the pump nozzles. ▷ Take appropriate measures to compensate for thermal expansion of the piping. |
| | <p>CAUTION</p> <p>Incorrect earthing during welding work at the piping Destruction of rolling element bearings (pitting effect)!</p> <ul style="list-style-type: none"> ▷ Never earth the electric welding equipment on the pump or baseplate. ▷ Prevent current flowing through the rolling element bearings. |

1311.87/03-EN

| | |
|---|---|
|  | NOTE |
| | Installing check and shut-off elements in the system is recommended, depending on the type of plant and pump. However, such elements must not obstruct proper drainage or hinder disassembly of the pump. |

- ✓ Suction lift lines have been laid with a rising slope, suction head lines with a downward slope towards the pump.
- ✓ A flow stabilisation section having a length equivalent to at least twice the diameter of the suction flange has been provided upstream of the suction flange.
- ✓ The nominal diameters of the pipelines are at least equal to the nominal diameters of the pump nozzles.
- ✓ Adapters to larger diameters have a diffuser angle of approximately 8° to prevent excessive pressure losses.
- ✓ The pipelines have been anchored in close proximity to the pump and connected without transmitting any stresses or strains.

| | |
|---|--|
|  | CAUTION |
| | <p>Weld beads, scale and other impurities in the piping</p> <p>Damage to the pump!</p> <ul style="list-style-type: none"> ▷ Remove any impurities from the piping. ▷ If necessary, install a filter. ▷ Observe the information in (⇒ Section 7.2.2.3, Page 51) . |

1. Thoroughly clean, flush and blow through all vessels, pipelines and connections (especially of new installations).
2. Before installing the pump in the piping, remove the flange covers on the suction and discharge nozzles of the pump.
3. Check that the inside of the pump is free from any foreign objects. Remove any foreign objects.
4. If required, install a filter in the piping (see figure: Filter in the piping).

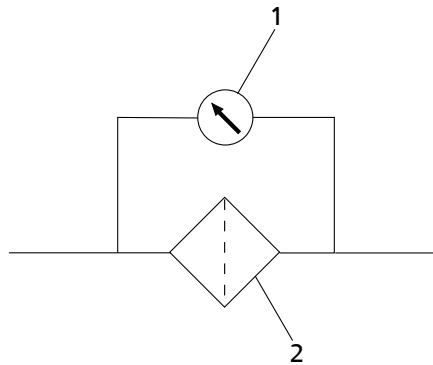



Fig. 9: Filter in the piping

| | | | |
|---|-----------------------------|---|--------|
| 1 | Differential pressure gauge | 2 | Filter |
|---|-----------------------------|---|--------|

| | |
|---|--|
|  | NOTE |
| | Use a filter with laid-in wire mesh (mesh width 0.5 mm, wire diameter 0.25 mm) of corrosion-resistant material. Use a filter with a filter area three times the cross-section of the piping. Conical filters have proved suitable. |

5. Connect the pump nozzles to the piping.

| | |
|--|--|
| | CAUTION |
| | <p>Aggressive flushing liquid and pickling agent Damage to the pump!</p> <p>▷ Match the cleaning operation mode and duration of flushing and pickling to the casing materials and seal materials used.</p> |

5.4.2 Permissible forces and moments at the pump nozzles

The data on forces and moments apply to static pipelines only. The values are only applicable if the pump is installed on a baseplate and bolted to a rigid and level foundation.

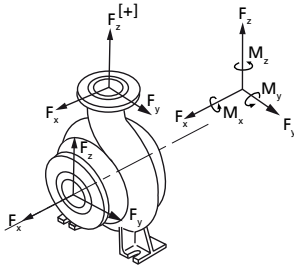


Fig. 10: Forces and moments at the pump nozzles

Table 10: Forces and moments at the pump nozzles for casing material G (JL1040/ A48CL35B)

| Size | Suction nozzle | | | | | | | | Discharge nozzle | | | | | | | |
|---------------|----------------|------|------|-----|------|------|------|------|------------------|-----|-----|-----|------|------|------|------|
| | DN | Fx | Fy | Fz | ∑F | Mx | My | Mz | DN | Fx | Fy | Fz | ∑F | Mx | My | Mz |
| | | [N] | [N] | [N] | [N] | [Nm] | [Nm] | [Nm] | | [N] | [N] | [N] | [N] | [Nm] | [Nm] | [Nm] |
| 040-025-160 | 40 | 450 | 400 | 350 | 696 | 450 | 320 | 370 | 25 | 265 | 250 | 300 | 472 | 315 | 210 | 245 |
| 040-025-200 | 40 | 450 | 400 | 350 | 696 | 450 | 320 | 370 | 25 | 265 | 250 | 300 | 472 | 315 | 210 | 245 |
| 050-032-125.1 | 50 | 580 | 530 | 470 | 916 | 500 | 350 | 400 | 32 | 320 | 300 | 370 | 574 | 390 | 265 | 300 |
| 050-032-160.1 | 50 | 580 | 530 | 470 | 916 | 500 | 350 | 400 | 32 | 320 | 300 | 370 | 574 | 390 | 265 | 300 |
| 050-032-200.1 | 50 | 580 | 530 | 470 | 916 | 500 | 350 | 400 | 32 | 320 | 300 | 370 | 574 | 390 | 265 | 300 |
| 050-032-250.1 | 50 | 580 | 530 | 470 | 916 | 500 | 350 | 400 | 32 | 320 | 300 | 370 | 574 | 390 | 265 | 300 |
| 050-032-125 | 50 | 580 | 530 | 470 | 916 | 500 | 350 | 400 | 32 | 320 | 300 | 370 | 574 | 390 | 265 | 300 |
| 050-032-160 | 50 | 580 | 530 | 470 | 916 | 500 | 350 | 400 | 32 | 320 | 300 | 370 | 574 | 390 | 265 | 300 |
| 050-032-200 | 50 | 580 | 530 | 470 | 916 | 500 | 350 | 400 | 32 | 320 | 300 | 370 | 574 | 390 | 265 | 300 |
| 050-032-250 | 50 | 580 | 530 | 470 | 916 | 500 | 350 | 400 | 32 | 320 | 300 | 370 | 574 | 390 | 265 | 300 |
| 065-040-125 | 65 | 740 | 650 | 600 | 1153 | 530 | 390 | 420 | 40 | 400 | 350 | 450 | 696 | 450 | 320 | 370 |
| 065-040-160 | 65 | 740 | 650 | 600 | 1153 | 530 | 390 | 420 | 40 | 400 | 350 | 450 | 696 | 450 | 320 | 370 |
| 065-040-200 | 65 | 740 | 650 | 600 | 1153 | 530 | 390 | 420 | 40 | 400 | 350 | 450 | 696 | 450 | 320 | 370 |
| 065-040-250 | 65 | 740 | 650 | 600 | 1153 | 530 | 390 | 420 | 40 | 400 | 350 | 450 | 696 | 450 | 320 | 370 |
| 065-040-315 | 65 | 740 | 650 | 600 | 1153 | 530 | 390 | 420 | 40 | 400 | 350 | 450 | 696 | 450 | 320 | 370 |
| 065-050-125 | 65 | 740 | 650 | 600 | 1153 | 530 | 390 | 420 | 50 | 530 | 470 | 580 | 916 | 500 | 350 | 400 |
| 065-050-160 | 65 | 740 | 650 | 600 | 1153 | 530 | 390 | 420 | 50 | 530 | 470 | 580 | 916 | 500 | 350 | 400 |
| 065-050-200 | 65 | 740 | 650 | 600 | 1153 | 530 | 390 | 420 | 50 | 530 | 470 | 580 | 916 | 500 | 350 | 400 |
| 065-050-250 | 65 | 740 | 650 | 600 | 1153 | 530 | 390 | 420 | 50 | 530 | 470 | 580 | 916 | 500 | 350 | 400 |
| 065-050-315 | 65 | 740 | 650 | 600 | 1153 | 530 | 390 | 420 | 50 | 530 | 470 | 580 | 916 | 500 | 350 | 400 |
| 080-065-125 | 80 | 880 | 790 | 720 | 1385 | 560 | 400 | 460 | 65 | 650 | 600 | 740 | 1153 | 530 | 390 | 420 |
| 080-065-160 | 80 | 880 | 790 | 720 | 1385 | 560 | 400 | 460 | 65 | 650 | 600 | 740 | 1153 | 530 | 390 | 420 |
| 080-065-200 | 80 | 880 | 790 | 720 | 1385 | 560 | 400 | 460 | 65 | 650 | 600 | 740 | 1153 | 530 | 390 | 420 |
| 080-065-250 | 80 | 880 | 790 | 720 | 1385 | 560 | 400 | 460 | 65 | 650 | 600 | 740 | 1153 | 530 | 390 | 420 |
| 080-065-315 | 80 | 880 | 790 | 720 | 1385 | 560 | 400 | 460 | 65 | 650 | 600 | 740 | 1153 | 530 | 390 | 420 |
| 100-080-160 | 100 | 1180 | 1050 | 950 | 1843 | 620 | 440 | 510 | 80 | 790 | 720 | 880 | 1385 | 560 | 400 | 460 |
| 100-080-200 | 100 | 1180 | 1050 | 950 | 1843 | 620 | 440 | 510 | 80 | 790 | 720 | 880 | 1385 | 560 | 400 | 460 |
| 100-080-250 | 100 | 1180 | 1050 | 950 | 1843 | 620 | 440 | 510 | 80 | 790 | 720 | 880 | 1385 | 560 | 400 | 460 |

1311.87/03-EN

| Size | Suction nozzle | | | | | | | | Discharge nozzle | | | | | | | |
|-------------|----------------|------|------|------|------|------|------|------|------------------|------|------|------|------|------|------|------|
| | DN | Fx | Fy | Fz | ΣF | Mx | My | Mz | DN | Fx | Fy | Fz | ΣF | Mx | My | Mz |
| | | [N] | [N] | [N] | [N] | [Nm] | [Nm] | [Nm] | | [N] | [N] | [N] | [N] | [Nm] | [Nm] | [Nm] |
| 100-080-315 | 100 | 1180 | 1050 | 950 | 1843 | 620 | 440 | 510 | 80 | 790 | 720 | 880 | 1385 | 560 | 400 | 460 |
| 100-080-400 | 100 | 1180 | 1050 | 950 | 1843 | 620 | 440 | 510 | 80 | 790 | 720 | 880 | 1385 | 560 | 400 | 460 |
| 125-100-160 | 125 | 1400 | 1250 | 1120 | 2186 | 740 | 530 | 670 | 100 | 1050 | 950 | 1180 | 1843 | 620 | 440 | 510 |
| 125-100-200 | 125 | 1400 | 1250 | 1120 | 2186 | 740 | 530 | 670 | 100 | 1050 | 950 | 1180 | 1843 | 620 | 440 | 510 |
| 125-100-250 | 125 | 1400 | 1250 | 1120 | 2186 | 740 | 530 | 670 | 100 | 1050 | 950 | 1180 | 1843 | 620 | 440 | 510 |
| 125-100-315 | 125 | 1400 | 1250 | 1120 | 2186 | 740 | 530 | 670 | 100 | 1050 | 950 | 1180 | 1843 | 620 | 440 | 510 |
| 125-100-400 | 125 | 1400 | 1250 | 1120 | 2186 | 740 | 530 | 670 | 100 | 1050 | 950 | 1180 | 1843 | 620 | 440 | 510 |
| 150-125-200 | 150 | 1750 | 1600 | 1400 | 2754 | 880 | 610 | 720 | 125 | 1250 | 1120 | 1400 | 2186 | 740 | 530 | 670 |
| 150-125-250 | 150 | 1750 | 1600 | 1400 | 2754 | 880 | 610 | 720 | 125 | 1250 | 1120 | 1400 | 2186 | 740 | 530 | 670 |
| 150-125-315 | 150 | 1750 | 1600 | 1400 | 2754 | 880 | 610 | 720 | 125 | 1250 | 1120 | 1400 | 2186 | 740 | 530 | 670 |
| 150-125-400 | 150 | 1750 | 1600 | 1400 | 2754 | 880 | 610 | 720 | 125 | 1250 | 1120 | 1400 | 2186 | 740 | 530 | 670 |
| 200-150-200 | 200 | 2350 | 2100 | 1900 | 3680 | 1150 | 800 | 930 | 150 | 1600 | 1400 | 1750 | 2754 | 880 | 610 | 720 |
| 200-150-250 | 200 | 2350 | 2100 | 1900 | 3680 | 1150 | 800 | 930 | 150 | 1600 | 1400 | 1750 | 2754 | 880 | 610 | 720 |
| 200-150-315 | 200 | 2350 | 2100 | 1900 | 3680 | 1150 | 800 | 930 | 150 | 1600 | 1400 | 1750 | 2754 | 880 | 610 | 720 |
| 200-150-400 | 200 | 2350 | 2100 | 1900 | 3680 | 1150 | 800 | 930 | 150 | 1600 | 1400 | 1750 | 2754 | 880 | 610 | 720 |

Correction coefficients depending on material and temperature (see diagram below).

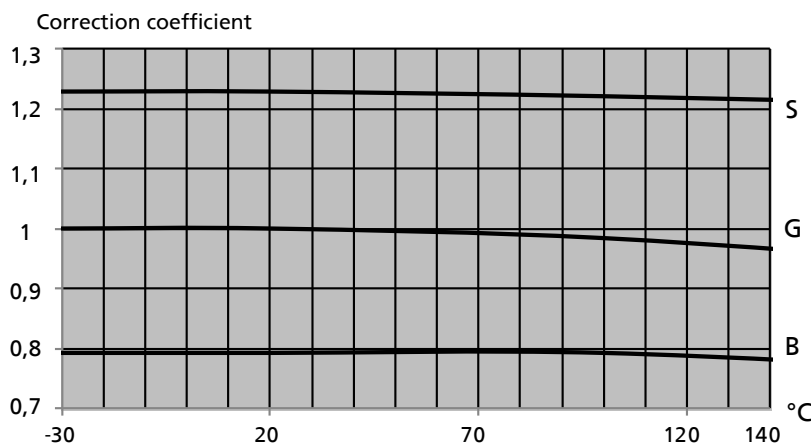


Fig. 11: Temperature/material correction diagram for casing materials G (EN-GJL-250/A48CL35B), S (EN-GJS-400-15/A536 GR 60-40-18) and B (CC480K-GS/B30 C90700)

Table 11: Forces and moments at the pump nozzles for casing material C (1.4408/ A743 GR CF8M)

| Size | Suction nozzle | | | | | | | | Discharge nozzle | | | | | | | |
|--------------|----------------|------|------|------|------|------|------|------|------------------|-----|-----|------|------|------|------|------|
| | DN | Fx | Fy | Fz | ΣF | Mx | My | Mz | DN | Fx | Fy | Fz | ΣF | Mx | My | Mz |
| | | [N] | [N] | [N] | [N] | [Nm] | [Nm] | [Nm] | | [N] | [N] | [N] | [N] | [Nm] | [Nm] | [Nm] |
| 040-25-160 | 40 | 970 | 780 | 650 | 1404 | 500 | 280 | 410 | 25 | 460 | 410 | 600 | 860 | 370 | 185 | 280 |
| 040-25-200 | 40 | 970 | 780 | 650 | 1404 | 500 | 280 | 410 | 25 | 460 | 410 | 600 | 860 | 370 | 185 | 280 |
| 050-32-125.1 | 50 | 1240 | 1010 | 830 | 1802 | 650 | 320 | 500 | 32 | 650 | 500 | 780 | 1132 | 415 | 230 | 320 |
| 050-32-160.1 | 50 | 1240 | 1010 | 830 | 1802 | 650 | 320 | 500 | 32 | 650 | 500 | 780 | 1132 | 415 | 230 | 320 |
| 050-32-200.1 | 50 | 1240 | 1010 | 830 | 1802 | 650 | 320 | 500 | 32 | 650 | 500 | 780 | 1132 | 415 | 230 | 320 |
| 050-32-250.1 | 50 | 1240 | 1010 | 830 | 1802 | 650 | 320 | 500 | 32 | 650 | 500 | 780 | 1132 | 415 | 230 | 320 |
| 050-32-125 | 50 | 1240 | 1010 | 830 | 1802 | 650 | 320 | 500 | 32 | 650 | 500 | 780 | 1132 | 415 | 230 | 320 |
| 050-32-160 | 50 | 1240 | 1010 | 830 | 1802 | 650 | 320 | 500 | 32 | 650 | 500 | 780 | 1132 | 415 | 230 | 320 |
| 050-32-200 | 50 | 1240 | 1010 | 830 | 1802 | 650 | 320 | 500 | 32 | 650 | 500 | 780 | 1132 | 415 | 230 | 320 |
| 050-32-250 | 50 | 1240 | 1010 | 830 | 1802 | 650 | 320 | 500 | 32 | 650 | 500 | 780 | 1132 | 415 | 230 | 320 |
| 065-40-125 | 65 | 1600 | 1300 | 1050 | 2314 | 1050 | 550 | 780 | 40 | 780 | 640 | 1000 | 1421 | 500 | 280 | 415 |
| 065-40-160 | 65 | 1600 | 1300 | 1050 | 2314 | 1050 | 550 | 780 | 40 | 780 | 640 | 1000 | 1421 | 500 | 280 | 415 |

| Size | Suction nozzle | | | | | | | | Discharge nozzle | | | | | | | |
|-------------|----------------|------|------|------|------------|------|------|------|------------------|------|------|------|------------|------|------|------|
| | DN | Fx | Fy | Fz | ΣF | Mx | My | Mz | DN | Fx | Fy | Fz | ΣF | Mx | My | Mz |
| | | [N] | [N] | [N] | [N] | [Nm] | [Nm] | [Nm] | | [N] | [N] | [N] | [N] | [Nm] | [Nm] | [Nm] |
| 065-40-200 | 65 | 1600 | 1300 | 1050 | 2314 | 1050 | 550 | 780 | 40 | 780 | 640 | 1000 | 1421 | 500 | 280 | 415 |
| 065-40-250 | 65 | 1600 | 1300 | 1050 | 2314 | 1050 | 550 | 780 | 40 | 780 | 640 | 1000 | 1421 | 500 | 280 | 415 |
| 065-40-315 | 65 | 1600 | 1300 | 1050 | 2314 | 1050 | 550 | 780 | 40 | 780 | 640 | 1000 | 1421 | 500 | 280 | 415 |
| 065-50-125 | 65 | 1600 | 1300 | 1050 | 2314 | 1050 | 550 | 780 | 50 | 1000 | 830 | 1250 | 1803 | 650 | 320 | 500 |
| 065-50-160 | 65 | 1600 | 1300 | 1050 | 2314 | 1050 | 550 | 780 | 50 | 1000 | 830 | 1250 | 1803 | 650 | 320 | 500 |
| 065-50-200 | 65 | 1600 | 1300 | 1050 | 2314 | 1050 | 550 | 780 | 50 | 1000 | 830 | 1250 | 1803 | 650 | 320 | 500 |
| 065-50-250 | 65 | 1600 | 1300 | 1050 | 2314 | 1050 | 550 | 780 | 50 | 1000 | 830 | 1250 | 1803 | 650 | 320 | 500 |
| 065-50-315 | 65 | 1600 | 1300 | 1050 | 2314 | 1050 | 550 | 780 | 50 | 1000 | 830 | 1250 | 1803 | 650 | 320 | 500 |
| 080-65-125 | 80 | 2000 | 1550 | 1300 | 2845 | 1330 | 690 | 1010 | 65 | 1300 | 1050 | 1600 | 2314 | 1050 | 550 | 790 |
| 080-65-160 | 80 | 2000 | 1550 | 1300 | 2845 | 1330 | 690 | 1010 | 65 | 1300 | 1050 | 1600 | 2314 | 1050 | 550 | 790 |
| 080-65-200 | 80 | 2000 | 1550 | 1300 | 2845 | 1330 | 690 | 1010 | 65 | 1300 | 1050 | 1600 | 2314 | 1050 | 550 | 790 |
| 080-65-250 | 80 | 2000 | 1550 | 1300 | 2845 | 1330 | 690 | 1010 | 65 | 1300 | 1050 | 1600 | 2314 | 1050 | 550 | 790 |
| 080-65-315 | 80 | 2000 | 1550 | 1300 | 2845 | 1330 | 690 | 1010 | 65 | 1300 | 1050 | 1600 | 2314 | 1050 | 550 | 790 |
| 100-80-160 | 100 | 2500 | 1950 | 1600 | 3551 | 1850 | 900 | 1400 | 80 | 1550 | 1300 | 1950 | 2810 | 1350 | 690 | 1000 |
| 100-80-200 | 100 | 2500 | 1950 | 1600 | 3551 | 1850 | 900 | 1400 | 80 | 1550 | 1300 | 1950 | 2810 | 1350 | 690 | 1000 |
| 100-80-250 | 100 | 2500 | 1950 | 1600 | 3551 | 1850 | 900 | 1400 | 80 | 1550 | 1300 | 1950 | 2810 | 1350 | 690 | 1000 |
| 100-80-315 | 100 | 2500 | 1950 | 1600 | 3551 | 1850 | 900 | 1400 | 80 | 1550 | 1300 | 1950 | 2810 | 1350 | 690 | 1000 |
| 100-80-400 | 100 | 2500 | 1950 | 1600 | 3551 | 1850 | 900 | 1400 | 80 | 1550 | 1300 | 1950 | 2810 | 1350 | 690 | 1000 |
| 125-100-160 | 125 | 3400 | 2700 | 2200 | 4867 | 2500 | 1300 | 1950 | 100 | 2000 | 1600 | 2500 | 3579 | 1850 | 900 | 1400 |
| 125-100-200 | 125 | 3400 | 2700 | 2200 | 4867 | 2500 | 1300 | 1950 | 100 | 2000 | 1600 | 2500 | 3579 | 1850 | 900 | 1400 |
| 125-100-250 | 125 | 3400 | 2700 | 2200 | 4867 | 2500 | 1300 | 1950 | 100 | 2000 | 1600 | 2500 | 3579 | 1850 | 900 | 1400 |
| 125-100-315 | 125 | 3400 | 2700 | 2200 | 4867 | 2500 | 1300 | 1950 | 100 | 2000 | 1600 | 2500 | 3579 | 1850 | 900 | 1400 |
| 125-100-400 | 125 | 3400 | 2700 | 2200 | 4867 | 2500 | 1300 | 1950 | 100 | 2000 | 1600 | 2500 | 3579 | 1850 | 900 | 1400 |
| 150-125-200 | 150 | 4300 | 3450 | 2850 | 6206 | 3200 | 1600 | 2450 | 125 | 2700 | 2200 | 3400 | 4867 | 2550 | 1300 | 1900 |
| 150-125-250 | 150 | 4300 | 3450 | 2850 | 6206 | 3200 | 1600 | 2450 | 125 | 2700 | 2200 | 3400 | 4867 | 2550 | 1300 | 1900 |
| 150-125-315 | 150 | 4300 | 3450 | 2850 | 6206 | 3200 | 1600 | 2450 | 125 | 2700 | 2200 | 3400 | 4867 | 2550 | 1300 | 1900 |
| 150-125-400 | 150 | 4300 | 3450 | 2850 | 6206 | 3200 | 1600 | 2450 | 125 | 2700 | 2200 | 3400 | 4867 | 2550 | 1300 | 1900 |
| 200-150-200 | 200 | 6750 | 5250 | 4300 | 9572 | 4850 | 2450 | 3550 | 150 | 3450 | 2850 | 4300 | 6206 | 3150 | 1600 | 2450 |
| 200-150-250 | 200 | 6750 | 5250 | 4300 | 9572 | 4850 | 2450 | 3550 | 150 | 3450 | 2850 | 4300 | 6206 | 3150 | 1600 | 2450 |
| 200-150-315 | 200 | 6750 | 5250 | 4300 | 9572 | 4850 | 2450 | 3550 | 150 | 3450 | 2850 | 4300 | 6206 | 3150 | 1600 | 2450 |
| 200-150-400 | 200 | 6750 | 5250 | 4300 | 9572 | 4850 | 2450 | 3550 | 150 | 3450 | 2850 | 4300 | 6206 | 3150 | 1600 | 2450 |

5.4.3 Vacuum balance line



NOTE

Where fluid has to be pumped out of a vessel under vacuum, installing a vacuum balance line is recommended.

The following rules apply to vacuum balance lines:

- Minimum nominal line diameter 25 mm.
- The line extends above the highest permissible fluid level in the vessel.

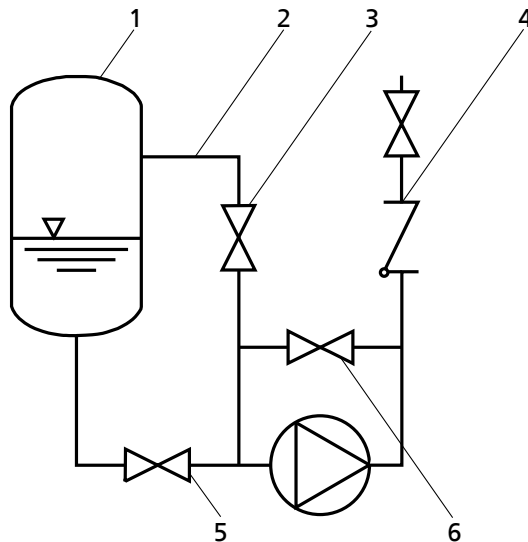






Fig. 12: Vacuum balance system

| | | | |
|---|-----------------------|---|-------------------------------|
| 1 | Vessel under vacuum | 2 | Vacuum balance line |
| 3 | Shut-off element | 4 | Swing check valve |
| 5 | Main shut-off element | 6 | Vacuum-tight shut-off element |





| | |
|--|--|
|  | NOTE |
| | <p>An additional line fitted with a shut-off valve (from the pump discharge nozzle to the balance line) facilitates venting of the pump before start-up.</p> |

5.4.4 Auxiliary connections




| | |
|--|--|
|   | ⚠ DANGER |
| | <p>Risk of potentially explosive atmosphere by incompatible fluids mixing in the auxiliary piping Risk of burns! Explosion hazard!</p> <ul style="list-style-type: none"> ▸ Make sure that the barrier fluid or quench liquid are compatible with the fluid handled. |

| | |
|---|--|
|  | ⚠ WARNING |
| | <p>Failure to use or incorrect use of auxiliary connections (e.g. barrier fluid, flushing liquid, etc.) Risk of injury from escaping fluid! Risk of burns! Malfunction of the pump!</p> <ul style="list-style-type: none"> ▸ Refer to the general arrangement drawing, the piping layout and pump markings (if any) for the quantity, dimensions and locations of auxiliary connections. ▸ Use the auxiliary connections provided. |

5.5 Enclosure/insulation

| | |
|---|--|
|  | <p>⚠ DANGER</p> <p>Risk of potentially explosive atmosphere due to insufficient venting Explosion hazard!</p> <ul style="list-style-type: none"> ▷ Make sure the space between the casing cover/discharge cover and the bearing cover is sufficiently vented. ▷ Never close or cover the perforation of the bearing bracket guards (e.g. by insulation). |
|  | <p>⚠ WARNING</p> <p>The volute casing and casing/discharge cover take on the same temperature as the fluid handled Risk of burns!</p> <ul style="list-style-type: none"> ▷ Insulate the volute casing. ▷ Fit protective equipment. |
|  | <p>CAUTION</p> <p>Heat build-up in the bearing bracket Damage to the bearing!</p> <ul style="list-style-type: none"> ▷ Never insulate the bearing bracket, bearing bracket lantern and casing cover. |
|  | <p>NOTE</p> <p>Pump casings handling fluids at temperatures below freezing point may be insulated at the site, subject to the manufacturer's prior approval.</p> |

5.6 Checking the coupling alignment

| | |
|--|--|
|   | <p>⚠ DANGER</p> <p>Inadmissible temperatures at the coupling or bearings due to misalignment of the coupling Explosion hazard! Risk of burns!</p> <ul style="list-style-type: none"> ▷ Make sure that the coupling is correctly aligned at all times. |
|  | <p>CAUTION</p> <p>Misalignment of pump and motor shafts Damage to pump, motor and coupling!</p> <ul style="list-style-type: none"> ▷ Always check the coupling after the pump has been installed and connected to the piping. ▷ Also check the coupling of pump sets supplied with pump and motor mounted on the same baseplate. |

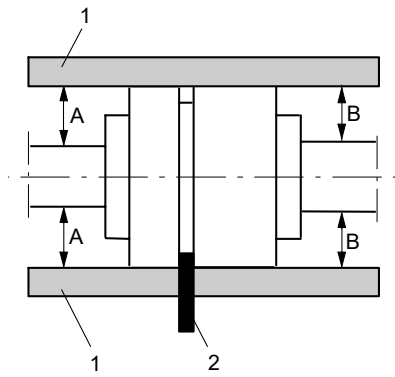


Fig. 13: Non-spacer-type coupling, checking the coupling alignment

| | | | |
|---|---------------|---|-------|
| 1 | Straight edge | 2 | Gauge |
|---|---------------|---|-------|

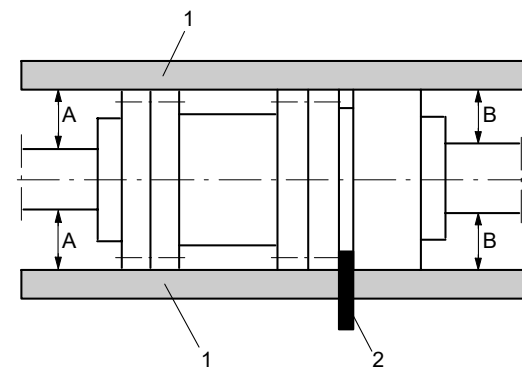


Fig. 14: Spacer-type coupling, checking the coupling alignment

| | | | |
|---|---------------|---|-------|
| 1 | Straight edge | 2 | Gauge |
|---|---------------|---|-------|

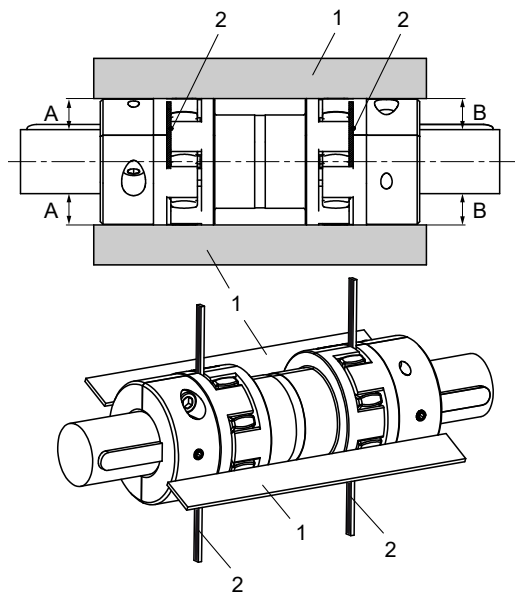


Fig. 15: Double Cardan spacer-type coupling, checking the coupling alignment

| | | | |
|---|---------------|---|-------|
| 1 | Straight edge | 2 | Gauge |
|---|---------------|---|-------|

Table 12: Permissible alignment offset of coupling halves

| Coupling type | Radial offset | Axial offset |
|--------------------------------------|---------------|--------------|
| | [mm] | [mm] |
| Non-spacer-type coupling (⇒ Fig. 13) | ≤ 0,1 | ≤ 0,1 |
| Spacer-type coupling (⇒ Fig. 14) | ≤ 0,1 | ≤ 0,1 |
| Double Cardan coupling (⇒ Fig. 15) | ≤ 0,5 | ≤ 0,5 |

- ✓ The coupling guard and its footboard, if any, have been removed.
 1. Loosen the support foot and re-tighten it without transmitting any stresses and strains.
 2. Place the straight edge axially on both coupling halves.
 3. Leave the straight edge in this position and turn the coupling by hand.
The coupling is aligned correctly if the distances A and B to the respective shafts are the same at all points around the circumference.
Observe the permissible radial offset in coupling half alignment (⇒ Table 12) both during standstill and at operating temperature as well as under inlet pressure.
 4. Check the distance (dimension see general arrangement drawing) between the two coupling halves around the circumference.
The coupling is correctly aligned if the distance between the two coupling halves is the same at all points around the circumference.
Observe the permissible axial offset in coupling half alignment (⇒ Table 12) both during standstill and at operating temperature as well as under inlet pressure.
 5. If alignment is correct, re-install the coupling guard and its footboard, if any.

Checking the coupling alignment with a laser tool

Coupling alignment may also be checked with a laser tool. Observe the documentation provided by the manufacturer of the measuring instrument.

5.7 Aligning the pump and motor

After having installed the pump set and connected the piping, check the coupling alignment and, if required, re-align the pump set (at the motor).

5.7.1 Motors with adjusting screw

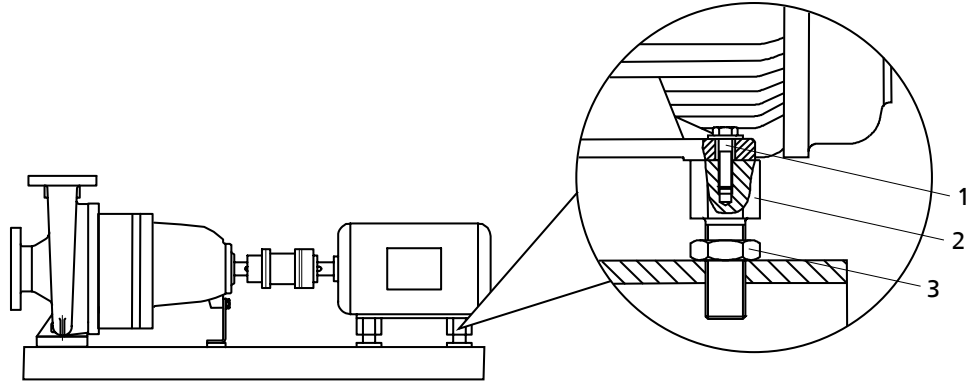


Fig. 16: Motor with adjusting screw

| | | | |
|---|-------------------|---|-----------------|
| 1 | Hexagon head bolt | 2 | Adjusting screw |
| 3 | Locknut | | |

- ✓ The coupling guard and its footboard, if any, have been removed.
- 1. Check the coupling alignment.
- 2. Unscrew the hexagon head bolts (1) at the motor and the locknuts (3) at the baseplate.
- 3. Turn the adjusting screws (2) by hand or by means of an open-end wrench until the coupling alignment is correct and all motor feet rest squarely on the baseplate.
- 4. Re-tighten the hexagon head bolts (1) at the motor and the locknuts (3) at the baseplate.
- 5. Check proper functioning of coupling/shaft.
Check that coupling/shaft can easily be rotated by hand.

| | |
|--|---|
| | <p>⚠ WARNING</p> |
| | <p>Unprotected rotating coupling Risk of injury by rotating shafts!</p> <ul style="list-style-type: none"> ▶ Always operate the pump set with a coupling guard. If the customer specifically requests not to include a coupling guard in KSB's delivery, then the operator must supply one! ▶ Observe all relevant regulations for selecting a coupling guard. |
| | <p>⚠ DANGER</p> |
| | <p>Risk of ignition by frictional sparks Explosion hazard!!</p> <ul style="list-style-type: none"> ▶ Choose a coupling guard material that is non-sparking in the event of mechanical contact. |

- 6. Fit the coupling guard and its footboard, if any.
- 7. Check the distance between coupling and coupling guard.
The coupling guard must not touch the coupling.

5.7.2 Motors without adjusting screw

Any differences in the centreline heights of the pump and motor shafts are compensated by means of shims.

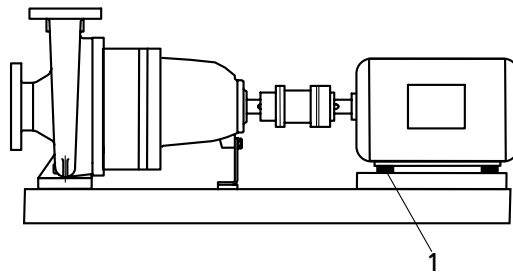


Fig. 17: Pump set with shim

| | |
|---|------|
| 1 | Shim |
|---|------|

✓ The coupling guard and its footboard, if any, have been removed.

1. Check the coupling alignment.
2. Loosen the hexagon head bolts at the motor.
3. Insert shims underneath the motor feet until the difference in shaft centreline height has been compensated.
4. Re-tighten the hexagon head bolts.
5. Check proper functioning of coupling/shaft.
Check that coupling/shaft can easily be rotated by hand.

| | |
|--|---|
| | <p>⚠ WARNING</p> |
| | <p>Unprotected rotating coupling Risk of injury by rotating shafts!</p> <ul style="list-style-type: none"> ▷ Always operate the pump set with a coupling guard. If the customer specifically requests not to include a coupling guard in KSB's delivery, then the operator must supply one! ▷ Observe all relevant regulations for selecting a coupling guard. |

| | |
|--|--|
| | <p>⚠ DANGER</p> |
| | <p>Risk of ignition by frictional sparks Explosion hazard!!</p> <ul style="list-style-type: none"> ▷ Choose a coupling guard material that is non-sparking in the event of mechanical contact. |

6. Fit the coupling guard and its footboard, if any.
7. Check the distance between coupling and coupling guard.
The coupling guard must not touch the coupling.

5.8 Electrical connection

| | |
|------|---|
| | <p>⚠ DANGER</p> |
| | <p>Electrical connection work by unqualified personnel Danger of death from electric shock and explosion!</p> <ul style="list-style-type: none"> ▷ Always have the electrical connections installed by an electrically qualified person. ▷ Observe regulations IEC 60364 and, for explosion-proof versions, BS 60079 . |

| | |
|--|--|
| | ⚠ WARNING |
| | <p>Incorrect connection to the mains Damage to the power supply network, short circuit!</p> <ul style="list-style-type: none"> ▷ Observe the technical specifications of the local energy supply companies. |

1. Check the available mains voltage against the data on the motor name plate.
2. Select an appropriate starting method.

| | |
|--|---|
| | NOTE |
| | <p>Installing a motor protection device is recommended.</p> |

5.8.1 Setting the time relay

| | |
|--|---|
| | CAUTION |
| | <p>Switchover between star and delta on three-phase motors with star-delta starting takes too long. Damage to the pump (set)!</p> <ul style="list-style-type: none"> ▷ Keep switch-over intervals between star and delta as short as possible. |

Table 13: Time relay settings for star-delta starting:

| Motor rating [kW] | Y time to be set [s] |
|----------------------|-------------------------|
| ≤ 30 | < 3 |
| > 30 | < 5 |

5.8.2 Earthing





| | |
|--|---|
| | ⚠ DANGER |
| | <p>Electrostatic charging Explosion hazard! Damage to the pump set!</p> <ul style="list-style-type: none"> ▷ Connect the PE conductor to the earthing terminal provided. ▷ Provide for potential equalisation between the pump set and the foundation. |

5.8.3 Connecting the motor

| | |
|--|--|
| | NOTE |
| | <p>In compliance with IEC 60034-8, three-phase motors are always wired for clockwise rotation (looking at the motor shaft stub). The pump's direction of rotation is indicated by an arrow on the pump.</p> |

1. Match the motor's direction of rotation to that of the pump.
2. Observe the manufacturer's product literature supplied with the motor.

5.9 Checking the direction of rotation

| | |
|---|---|
|  | <p>⚠ DANGER</p> <p>Temperature increase resulting from contact between rotating and stationary components Explosion hazard! Damage to the pump set!</p> <ul style="list-style-type: none"> ▷ Never check the direction of rotation by starting up the unfilled pump set. ▷ Separate the pump from the motor to check the direction of rotation. |
|  | <p>⚠ WARNING</p> <p>Hands inside the pump casing Risk of injuries, damage to the pump!</p> <ul style="list-style-type: none"> ▷ Always disconnect the pump set from the power supply and secure it against unintentional start-up before inserting your hands or other objects into the pump. |
|  | <p>CAUTION</p> <p>Incorrect direction of rotation with non-reversible mechanical seal Damage to the mechanical seal and leakage!</p> <ul style="list-style-type: none"> ▷ Separate the pump from the motor to check the direction of rotation. |
|  | <p>CAUTION</p> <p>Drive and pump running in the wrong direction of rotation Damage to the pump!</p> <ul style="list-style-type: none"> ▷ Refer to the arrow indicating the direction of rotation on the pump. ▷ Check the direction of rotation. If required, check the electrical connection and correct the direction of rotation. |

The correct direction of rotation of the motor and pump is clockwise (seen from the drive end).

1. Start the motor and stop it again immediately to determine the motor's direction of rotation.
2. Check the direction of rotation.
The motor's direction of rotation must match the arrow indicating the direction of rotation on the pump.
3. If the motor is running in the wrong direction of rotation, check the electrical connection of the motor and switchgear, if any.

6 Commissioning/Start-up/Shutdown

6.1 Commissioning/Start-up

6.1.1 Prerequisites for commissioning/start-up

Before commissioning/starting up the pump set, make sure that the following conditions are met:

- The pump set has been mechanically connected as specified.
- The pump set has been properly connected to the power supply and is equipped with all protection devices. (⇒ Section 5.8, Page 35)
- The pump has been filled with the fluid to be handled. The pump has been vented.
- The direction of rotation has been checked. (⇒ Section 5.9, Page 37)
- All auxiliary connections required are connected and operational. (⇒ Section 5.4.4, Page 30)
- The lubricants have been checked.
- After prolonged shutdown of the pump (set), the activities required for returning the equipment to service have been carried out. (⇒ Section 6.4, Page 46)

6.1.2 Filling in the lubricants

Grease-lubricated bearings

Grease-lubricated bearings have been packed with grease.

Oil-lubricated bearings



Fill the bearing bracket with lubricating oil.

Oil quality see (⇒ Section 7.2.3.1.2, Page 51)

Oil quantity see (⇒ Section 7.2.3.1.3, Page 52)

Filling the constant level oiler with lubricating oil (oil-lubricated bearings only)

- ✓ The constant level oiler has been fitted.

| | |
|---|---|
|  | NOTE |
| | <p>If no constant level oiler is provided on the bearing bracket, the oil level can be read in the middle of the oil level gauge arranged at the side of the bearing bracket.</p> |
|  | CAUTION |
| | <p>Insufficient quantity of lubricating oil in the reservoir of the constant level oiler Damage to the bearings!</p> <ul style="list-style-type: none"> ▷ Regularly check the oil level. ▷ Always fill the oil reservoir completely. |

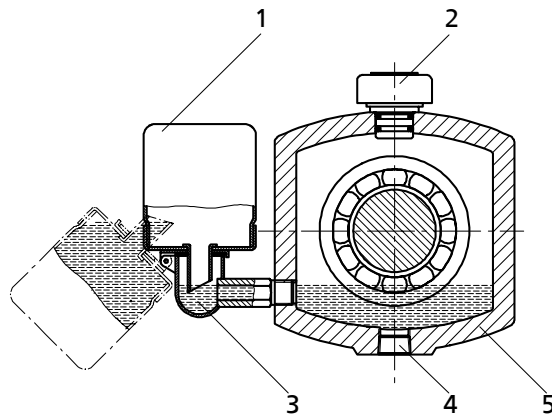


Fig. 18: Bearing bracket with constant level oiler





| | | | |
|---|--|---|------------|
| 1 | Constant level oiler | 2 | Vent plug |
| 3 | Connection elbow of the constant level oiler | 4 | Screw plug |
| 5 | Bearing bracket | | |

1. Pull out the vent plug (2).
2. Hinge down the reservoir of the constant level oiler (1) from the bearing bracket (5) and hold it in this position.
3. Fill in oil through the hole for the vent plug until the oil reaches the connection elbow of the constant level oiler (3).
4. Completely fill the reservoir of the constant level oiler (1).
5. Snap the constant level oiler (1) back into its operating position.
6. Fit the vent plug (2) again.
7. After approximately 5 minutes, check the oil level in the glass reservoir of the constant level oiler (1).
The oil reservoir must be properly filled at all times to ensure that the correct oil level is maintained. Repeat steps 1 - 6, if necessary.
8. To check the function of the constant level oiler (1), slowly drain some oil via the screw plug (4) until air bubbles can be seen in the oil reservoir.

| | |
|--|--|
| | NOTE |
| | An excessively high oil level can lead to a temperature rise and to leakage of the fluid handled or oil. |

6.1.3 Priming and venting the pump



| | |
|--|---|
| | ⚠ DANGER |
| | <p>Risk of potentially explosive atmosphere inside the pump Explosion hazard!</p> <ul style="list-style-type: none"> ▸ The pump internals in contact with the fluid to be handled, including the seal chamber and auxiliary systems, must be filled with the fluid to be handled at all times. ▸ Provide sufficient inlet pressure. ▸ Provide an appropriate monitoring system. |



| | |
|---|---|
|  | <p>⚠ DANGER</p> <p>Risk of potentially explosive atmosphere by incompatible fluids mixing in the auxiliary piping Risk of burns! Explosion hazard!</p> <ul style="list-style-type: none"> ▷ Make sure that the barrier fluid or quench liquid are compatible with the fluid handled. |
|  | <p>⚠ DANGER</p> <p>Shaft seal failure caused by insufficient lubrication Hot or toxic fluid could escape! Damage to the pump!</p> <ul style="list-style-type: none"> ▷ Before starting up the pump set, vent the pump and suction line and prime both with the fluid to be handled. |
|  | <p>CAUTION</p> <p>Increased wear due to dry running Damage to the pump set!</p> <ul style="list-style-type: none"> ▷ Never operate the pump set without liquid fill. ▷ Never close the shut-off element in the suction line and/or supply line during pump operation. |
| <ol style="list-style-type: none"> 1. Vent the pump and suction line and prime both with the fluid to be handled. Connection 6D can be used for venting (see drawing of auxiliary connections). 2. Fully open the shut-off element in the suction line. 3. Fully open all auxiliary feed lines (barrier fluid, flushing liquid, etc.), if any. 4. Open the shut-off element, if any, in the vacuum balance line and close the vacuum-tight shut-off element, if any. (⇒ Section 5.4.3, Page 29) | |
|  | <p>NOTE</p> <p>For design-inherent reasons some unfilled volume in the hydraulic system cannot be excluded after the pump has been primed for commissioning/start-up. However, once the motor is started up the pumping effect will immediately fill this volume with the fluid handled.</p> |


6.1.4 Final check

1. Remove the coupling guard and its footboard, if any.
2. Check the coupling alignment; re-align the coupling, if required. (⇒ Section 5.6, Page 31)
3. Check proper functioning of coupling/shaft. Check that coupling/shaft can be easily rotated by hand.
4. Fit the coupling guard and its footboard, if any.
5. Check the distance between coupling and coupling guard. The coupling guard must not touch the coupling.


6.1.5 Start-up

| | |
|--|------------------------|
|   | <p>⚠ DANGER</p> |
| <p>Non-compliance with the permissible pressure and temperature limits if the pump is operated with the suction and/or discharge line closed.</p> <p>Explosion hazard! Hot or toxic fluids escaping!</p> <ul style="list-style-type: none"> ▷ Never operate the pump with the shut-off elements in the suction line and/or discharge line closed. ▷ Only start up the pump set with the discharge-side shut-off element slightly or fully open. | |

| | |
|---|------------------------|
|   | <p>⚠ DANGER</p> |
| <p>Excessive temperatures due to dry running or excessive gas content in the fluid handled</p> <p>Explosion hazard! Damage to the pump set!</p> <ul style="list-style-type: none"> ▷ Never operate the pump set without liquid fill. ▷ Prime the pump as per operating instructions. (⇒ Section 6.1.3, Page 39) ▷ Always operate the pump within the permissible operating range. | |

| | |
|--|-----------------------|
|  | <p>CAUTION</p> |
| <p>Abnormal noises, vibrations, temperatures or leakage</p> <p>Damage to the pump!</p> <ul style="list-style-type: none"> ▷ Switch off the pump (set) immediately. ▷ Eliminate the causes before returning the pump set to service. | |

- ✓ The system piping has been cleaned.
- ✓ The pump, suction line and inlet tank, if any, have been vented and primed with the fluid to be handled.
- ✓ The lines for priming and venting have been closed.

| | |
|---|-----------------------|
|  | <p>CAUTION</p> |
| <p>Start-up against open discharge line</p> <p>Motor overload!</p> <ul style="list-style-type: none"> ▷ Make sure the motor has sufficient power reserves. ▷ Use a soft starter. ▷ Use speed control. | |

1. Fully open the shut-off element in the suction head/suction lift line.
2. Close or slightly open the shut-off element in the discharge line.
3. Start up the motor.

4. Immediately after the pump has reached full rotational speed, slowly open the shut-off element in the discharge line and adjust it to comply with the duty point.

| | |
|--|---|
| | CAUTION |
| | <p>Misalignment of pump and coupling Damage to pump, motor and coupling!</p> <ul style="list-style-type: none"> ▷ When the operating temperature has been reached, switch off the pump set and check the coupling alignment. |

5. Check the coupling alignment and re-align the coupling, if required.

6.1.6 Checking the shaft seal

Mechanical seal The mechanical seal only leaks slightly or invisibly (as vapour) during operation. Mechanical seals are maintenance-free.

Gland packing The gland packing must drip slightly during operation.

| | |
|--|--|
| | CAUTION |
| | <p>Excessive leakage or no leakage at the gland packing Damage to the pump!</p> <ul style="list-style-type: none"> ▷ Excessive leakage: Re-tighten the gland follower until the required leakage rate is reached. ▷ No leakage: Switch off the pump set immediately. ▷ It is not recommended to operate pump sets with gland packings in combination with a frequency inverter / variable speed system. |

Pure graphite packing If a pure graphite packing is used, there must always be some leakage.

Table 14: Leakage rate of the pure graphite packing

| Quantity | Values |
|----------|-------------------------|
| Minimum | 10 cm ³ /min |
| Maximum | 20 cm ³ /min |

Adjusting the leakage

- Prior to commissioning**
1. Only lightly tighten the nuts of the gland follower by hand.
 2. Use a feeler gauge to verify that the gland follower is mounted centred and at a right angle to the shaft.
- ⇒ The gland must leak after the pump has been primed.

After five minutes of operation

| | |
|--|--|
| | ! WARNING |
| | <p>Unprotected rotating parts Risk of injury!</p> <ul style="list-style-type: none"> ▷ Do not touch rotating parts. ▷ When the pump is running, perform all work with utmost caution. ▷ Wear appropriate personal protective equipment. |

The leakage can be reduced.

1. Tighten the nuts on the gland follower by 1/6 turn.
2. Monitor the leakage for another five minutes.

Excessive leakage:

Repeat steps 1 and 2 until the minimum value has been reached.

Not enough leakage:

Slightly loosen the nuts at the gland follower.

No leakage:

Immediately switch off pump set!

Loosen the gland follower and repeat commissioning.

Checking the leakage

After the leakage has been adjusted, monitor the leakage for about two hours at maximum fluid temperature.

Check that enough leakage occurs at the gland packing at minimum fluid pressure.

6.1.7 Shutdown

| | |
|--|---|
| | CAUTION |
| | <p>Heat build-up inside the pump Damage to the shaft seal!</p> <ul style="list-style-type: none"> ▷ Depending on the type of installation, the pump set requires sufficient after-run time – with the heat source switched off – until the fluid handled has cooled down. |

| | |
|--|--|
| | CAUTION |
| | <p>Backflow of fluid handled is not permitted Motor and/or winding damage! Mechanical seal damage!</p> <ul style="list-style-type: none"> ▷ Close the shut-off elements. |

✓ The shut-off element in the suction line is and remains open.

1. Close the shut-off element in the discharge line.
2. Switch off the motor and make sure the pump set runs down smoothly to a standstill.



| | |
|--|---|
| | NOTE |
| | <p>If the discharge line is equipped with a non-return or check valve, the shut-off element may remain open provided that the system conditions and system regulations are considered and observed.</p> |

For prolonged shutdown periods:


1. Close the shut-off element in the suction line.
2. Close any auxiliary lines.
If the fluid to be handled is fed in under vacuum, also supply the shaft seal with barrier fluid during standstill.

| | |
|--|--|
| | CAUTION |
| | <p>Risk of freezing during prolonged pump shutdown periods Damage to the pump!</p> <ul style="list-style-type: none"> ▷ Drain the pump and the cooling/heating chambers (if any) or otherwise protect them against freezing. |

6.2 Operating limits

| | |
|---|---|
|  | <p>⚠ DANGER</p> |
| | <p>Non-compliance with operating limits for pressure, temperature, fluid handled and speed Explosion hazard! Hot or toxic fluid could escape!</p> <ul style="list-style-type: none"> ▷ Comply with the operating data specified in the data sheet. ▷ Never use the pump for handling fluids it is not designed for. ▷ Avoid prolonged operation against a closed shut-off element. ▷ Never operate the pump at temperatures, pressures or rotational speeds exceeding those specified in the data sheet or on the name plate unless the written consent of the manufacturer has been obtained. |
|  | <p>⚠ DANGER</p> |
| | <p>Formation of a potentially explosive atmosphere inside the pump Explosion hazard!</p> <ul style="list-style-type: none"> ▷ When draining tanks take suitable measures to prevent dry running of the pump (e.g. fill level monitoring). |

6.2.1 Ambient temperature

| | |
|---|--|
|  | <p>CAUTION</p> |
| | <p>Operation outside the permissible ambient temperature Damage to the pump (set)!</p> <ul style="list-style-type: none"> ▷ Observe the specified limits for permissible ambient temperatures. |

Observe the following parameters and values during operation:

Table 15: Permissible ambient temperatures

| Permissible ambient temperature | Value |
|---------------------------------|------------------------------|
| Maximum | 50 °C 40 °C ⁶⁾ |
| Minimum | See data sheet. |

6.2.2

6.2.3 Fluid handled

6.2.3.1 Flow rate

Table 16: Flow rate

| Temperature range (t) | Minimum flow rate | Maximum flow rate |
|-----------------------|---------------------------|-------------------------------------|
| -30 to +80 °C | ≈ 15 % of $Q_{BEP}^{7)}$ | See hydraulic characteristic curves |
| > 80 to +140 °C | ≈ 25 % von $Q_{BEP}^{7)}$ | |

The calculation formula below can be used to check if an additional heat build-up could lead to a dangerous temperature increase at the pump surface.

⁶ For compliance with UK *Equipment and Protective Systems Intended for Use in Potentially Explosive Atmospheres Regulations 2016*. Higher ambient temperature possible in individual cases, see data sheet and name plate.

⁷ Best efficiency point

$$T_o = T_f + \Delta \vartheta$$


$$\Delta \vartheta = \frac{g \times H}{c \times \eta} \times (1 - \eta)$$

Table 17: Key

| Symbol | Description | Unit |
|----------------|-----------------------------------|------------------|
| c | Specific heat capacity | J/kg K |
| g | Acceleration due to gravity | m/s ² |
| H | Pump discharge head | m |
| T _f | Fluid temperature | °C |
| T _o | Temperature at the casing surface | °C |
| η | Pump efficiency at duty point | - |
| Δϑ | Temperature difference | K |

6.2.3.2 Density of the fluid handled

The power input of the pump set will change in proportion to the density of the fluid handled.

| | |
|---|--|
|  | CAUTION |
| | <p>Impermissibly high density of the fluid handled Motor overload!</p> <ul style="list-style-type: none"> ▷ Observe the information about fluid density in the data sheet. ▷ Make sure the motor has sufficient power reserves. |

6.2.3.3 Abrasive fluids

When the pump handles fluids containing abrasive substances, increased wear of the hydraulic system and the shaft seal are to be expected. In this case, reduce the commonly recommended inspection intervals.

The fluid handled may contain abrasive particles up to a maximum content of 5 g/dm³ and a maximum particle size of 0.5 mm.

6.3 Shutdown/storage/preservation

6.3.1 Measures to be taken for shutdown

The pump (set) remains installed

- ✓ Sufficient fluid is supplied for the functional check run of the pump.
- 1. For prolonged shutdown periods, start up the pump (set) regularly between once a month and once every three months for approximately five minutes.
 - ⇒ This will prevent the formation of deposits within the pump and the pump intake area.

The pump (set) is removed from the pipe and stored

- ✓ The pump has been properly drained. (⇒ Section 7.3, Page 54)
- ✓ The safety instructions for dismantling the pump have been observed. (⇒ Section 7.4.1, Page 54)
- ✓ The permissible ambient temperature for storing the pump is observed.
 1. Spray-coat the inside wall of the pump casing and, in particular, the impeller clearance areas with a preservative.
 2. Spray the preservative through the suction nozzle and discharge nozzle. It is advisable to then close the pump nozzles (e.g. with plastic caps)
 3. Oil or grease all exposed machined parts and surfaces of the pump (with silicone-free oil or grease, food-approved, if required) to protect them against corrosion.
Observe the additional instructions on preservation. (⇒ Section 3.3, Page 14)

If the pump set is to be stored temporarily, only preserve the wetted components made of low-alloy materials. Commercially available preservatives can be used for this purpose. Observe the manufacturer's instructions for application/removal.

6.4 Returning to service

For returning the equipment to service observe the sections on commissioning/start-up and the operating limits. (⇒ Section 6.1, Page 38) (⇒ Section 6.2, Page 44)

In addition, carry out all servicing/maintenance operations before returning the pump (set) to service. (⇒ Section 7, Page 47)

| | |
|--|---|
| | <p>⚠ WARNING</p> |
| | <p>Failure to re-install or re-activate protective devices Risk of injury from moving parts or escaping fluid!</p> <p>▷ As soon as the work is completed, properly re-install and re-activate any safety-relevant devices and protective devices.</p> |
| | <p>NOTE</p> |
| | <p>If the equipment has been out of service for more than one year, replace all elastomer seals.</p> |

7 Servicing/Maintenance

7.1 Safety regulations

| | |
|--|---|
| | <p>⚠ DANGER</p> <p>Improper cleaning of coated pump surfaces Explosion hazard by electrostatic discharge!</p> <ul style="list-style-type: none"> ▷ When cleaning coated pump surfaces in atmospheres of Explosion group IIC, use suitable anti-static equipment. |
| | <p>⚠ DANGER</p> <p>Sparks produced during servicing work Explosion hazard!</p> <ul style="list-style-type: none"> ▷ Observe the safety regulations in force at the place of installation! ▷ Always perform maintenance work at an explosion-proof pump (set) outside of potentially explosive atmospheres. |
| | <p>⚠ DANGER</p> <p>Improperly serviced pump set Explosion hazard! Damage to the pump set!</p> <ul style="list-style-type: none"> ▷ Service the pump set regularly. ▷ Prepare a maintenance schedule with special emphasis on lubricants, shaft seal and coupling. |
| <p>The operator ensures that maintenance, inspection and installation are performed by authorised, qualified specialist personnel who are thoroughly familiar with the manual.</p> | |
| | <p>⚠ WARNING</p> <p>Unintentional starting of the pump set Risk of injury by moving components and shock currents!</p> <ul style="list-style-type: none"> ▷ Ensure that the pump set cannot be started unintentionally. ▷ Always make sure the electrical connections are disconnected before carrying out work on the pump set. |
| | <p>⚠ WARNING</p> <p>Fluids handled, consumables and supplies which are hot and/or pose a health hazard Risk of injury!</p> <ul style="list-style-type: none"> ▷ Observe all relevant laws. ▷ When draining the fluid take appropriate measures to protect persons and the environment. ▷ Decontaminate pumps which handle fluids posing a health hazard. |

| | |
|--|--|
| | <p>⚠ WARNING</p> |
| | <p>Insufficient stability Risk of crushing hands and feet!</p> <ul style="list-style-type: none"> ▷ During assembly/dismantling, secure the pump (set)/pump parts to prevent tilting or tipping over. |

A regular maintenance schedule will help avoid expensive repairs and contribute to trouble-free, reliable operation of the pump, pump set and pump parts with a minimum of servicing/maintenance expenditure and work.

| | |
|--|--|
| | <p>NOTE</p> |
| | <p>All maintenance work, service work and installation work can be carried out by KSB Service or authorised workshops. For contact details refer to the enclosed "Addresses" booklet or visit "https://www.ksb.com/en-global/contact" on the Internet.</p> |

Never use force when dismantling and reassembling the pump set.




7.2 Servicing/inspection

7.2.1 Supervision of operation

| | |
|--|--|
| | <p>⚠ DANGER</p> |
| | <p>Risk of potentially explosive atmosphere inside the pump Explosion hazard!</p> <ul style="list-style-type: none"> ▷ The pump internals in contact with the fluid to be handled, including the seal chamber and auxiliary systems, must be filled with the fluid to be handled at all times. ▷ Provide sufficient inlet pressure. ▷ Provide an appropriate monitoring system. |


| | |
|------|---|
| | <p>⚠ DANGER</p> |
| | <p>Incorrectly serviced shaft seal Explosion hazard! Hot, toxic fluid escaping! Damage to the pump set! Risk of burns! Fire hazard!</p> <ul style="list-style-type: none"> ▷ Regularly service the shaft seal. |

| | |
|------|--|
| | <p>⚠ DANGER</p> |
| | <p>Excessive temperatures as a result of bearings running hot or defective bearing seals Explosion hazard! Fire hazard! Damage to the pump set! Risk of burns!</p> <ul style="list-style-type: none"> ▷ Regularly check the lubricant level. ▷ Regularly check the rolling element bearings for running noises. |

| | |
|--|---|
|  | <p>⚠ DANGER</p> <p>Incorrectly serviced barrier fluid system Explosion hazard! Fire hazard! Damage to the pump set! Hot and/or toxic fluids escaping!</p> <ul style="list-style-type: none"> ▷ Regularly service the barrier fluid system. ▷ Monitor the barrier fluid pressure. |
|  | <p>CAUTION</p> <p>Increased wear due to dry running Damage to the pump set!</p> <ul style="list-style-type: none"> ▷ Never operate the pump set without liquid fill. ▷ Never close the shut-off element in the suction line and/or supply line during pump operation. |
|  | <p>CAUTION</p> <p>Impermissibly high temperature of fluid handled Damage to the pump!</p> <ul style="list-style-type: none"> ▷ Prolonged operation against a closed shut-off element is not permitted (heating up of the fluid). ▷ Observe the temperature limits in the data sheet and in the section on operating limits. (⇒ Section 6.2, Page 44) |

While the pump is in operation, observe and check the following:

- The pump must run quietly and free from vibrations at all times.
- In case of oil lubrication, ensure the oil level is correct. (⇒ Section 6.1.2, Page 38)
- Check the shaft seal. (⇒ Section 6.1.6, Page 42)
- Check the static sealing elements for leakage.
- Check the rolling element bearings for running noises.
 Vibrations, noise and an increase in current input occurring during unchanged operating conditions indicate wear.
- Monitor the correct functioning of any auxiliary connections.
- Monitor the stand-by pump.
 To make sure that stand-by pumps are ready for operation, start them up once a week.
- Monitor the bearing temperature.
 The bearing temperature must not exceed 90 °C (measured on the outside of the bearing bracket).

| | |
|---|--|
|  | <p>CAUTION</p> <p>Operation outside the permissible bearing temperature Damage to the pump!</p> <ul style="list-style-type: none"> ▷ The bearing temperature of the pump (set) must never exceed 90 °C (measured on the outside of the bearing bracket). |
|---|--|

| | |
|--|---|
| | NOTE |
| | <p>After commissioning, increased temperatures may occur at grease-lubricated rolling element bearings due to the running-in process. The final bearing temperature is only reached after a certain period of operation (up to 48 hours depending on the conditions).</p> |

7.2.2 Inspection work

| | |
|------|---|
| | ! DANGER |
| | <p>Excessive temperatures caused by friction, impact or frictional sparks Explosion hazard! Fire hazard! Damage to the pump set!</p> <ul style="list-style-type: none"> ▷ Regularly check the coupling guard, plastic components and other guards of rotating parts for deformation and sufficient distance from rotating parts. |

| | |
|--|---|
| | ! DANGER |
| | <p>Electrostatic charging due to insufficient potential equalisation Explosion hazard!</p> <ul style="list-style-type: none"> ▷ Make sure that the connection between pump and baseplate is electrically conductive. |

7.2.2.1 Checking the coupling

Check the flexible elements of the coupling. Replace the relevant parts in due time if there is any sign of wear and check the alignment.

7.2.2.2 Checking the clearances

To check the clearances, remove the back pull-out unit.
If the clearance is larger than permitted (see the following table), fit a new casing wear ring 502.1 and/or 502.2.
The clearances specified refer to the impeller diameter.

Table 18: Clearances between impeller and pump casing / between impeller and casing wear ring

| Impeller material | Clearances [mm] | |
|---|-----------------|---------------------------------|
| | New | Maximum permissible enlargement |
| G (EN-GJL-250/A48 CL 35B) | 0,3 | 0,9 |
| P (EN-GJL-250 without protective coating) | 0,3 | 0,9 |
| B (CC480K-GS/B30 C90700) | 0,3 | 0,9 |
| B (CC480K-DW) | 0,3 | 0,9 |
| I (IS 318 LTB2) | 0,3 | 0,9 |
| O (1.4008 / A743 Gr. CA15) | 0,5 | 1,5 |
| F (1.4308 / A743 Gr. CF8) | 0,5 | 1,5 |
| C (1.4408/ A743 Gr. CF8M) | 0,5 | 1,5 |

1311.87/03-EN

7.2.2.3 Cleaning filters

| | |
|--|--|
| | CAUTION |
| | <p>Insufficient inlet pressure due to clogged filter in the suction line Damage to the pump!</p> <ul style="list-style-type: none"> ▷ Monitor contamination of filter with suitable means (e.g. differential pressure gauge). ▷ Clean filter at appropriate intervals. |

7.2.2.4 Checking the bearing seals

| | |
|--|--|
| | ! DANGER |
| | <p>Excessive temperatures caused by mechanical contact Risk of explosion! Damage to the pump set!</p> <ul style="list-style-type: none"> ▷ Check correct seating of axial seal rings mounted on the shaft. Only gentle contact of the sealing lip shall be established. |

7.2.3 Lubrication and lubricant change of rolling element bearings

| | |
|--|---|
| | ! DANGER |
| | <p>Excessive temperatures as a result of bearings running hot or defective bearing seals Explosion hazard! Fire hazard! Damage to the pump set!</p> <ul style="list-style-type: none"> ▷ Regularly check the condition of the lubricant. |

7.2.3.1 Oil lubrication

The rolling element bearings are usually lubricated with mineral oil.

7.2.3.1.1 Intervals

Table 19: Oil change intervals

| Oil change | Interval |
|----------------------------|--|
| Change of initial oil fill | After 300 operating hours |
| Further oil changes | Every 3000 operating hours ⁸⁾ |

7.2.3.1.2 Oil quality

Table 20: Oil quality⁹⁾

| Designation | Symbol to DIN 51502 | Properties | |
|-------------|---------------------|--|---------|
| | | Lubricating oil C 46 CL 46 CLP 46 | □ |
| | | Flash point (to Cleveland) | +175 °C |
| | | Solidification point (pour point) | -15 °C |

⁸ At least once a year

⁹ To DIN 51517



| Designation | Symbol to DIN 51502 | Properties | |
|--|---------------------|--|---|
| Lubricating oil C 46 CL 46 CLP 46 | □ | Application temperature ¹⁰⁾ | Higher than permissible bearing temperature |

7.2.3.1.3 Oil quantity

Table 21: Oil quantity per oil-lubricated DIN 625 radial ball bearing

| Shaft unit ¹¹⁾ | Code | Oil quantity per bearing bracket |
|---------------------------|---------|----------------------------------|
| | | [L] |
| 25 | 6305 C3 | 0,20 |
| 35 | 6307 C3 | 0,35 |
| 50 | 6310 C3 | 0,40 |
| 55 | 6311 C3 | 0,65 |
| 60 | 6312 C3 | 0,40 |

7.2.3.1.4 Changing the oil

| | |
|--|--|
|  |  WARNING |
| | <p>Lubricants posing a health hazard and/or hot lubricants Hazard to persons and the environment!</p> <ul style="list-style-type: none"> ▷ When draining the lubricant take appropriate measures to protect persons and the environment. ▷ Wear safety clothing and a protective mask if required. ▷ Collect and dispose of any lubricants. ▷ Observe all legal regulations on the disposal of fluids posing a health hazard. |

¹⁰⁾ For ambient temperatures below -10 °C use a different suitable type of lubricating oil. Contact the manufacturer.

¹¹⁾ Shaft unit see data sheet.

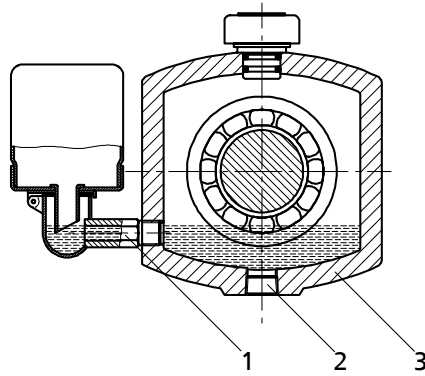


Fig. 19: Bearing bracket with constant level oiler

| | | | |
|---|----------------------|---|------------|
| 1 | Constant level oiler | 2 | Screw plug |
| 3 | Bearing bracket | | |

✓ A suitable container for the used oil is on hand.

1. Place the container underneath the screw plug.
2. Undo the screw plug (2) at the bearing bracket (3) and drain the oil.
3. Once the bearing bracket (3) has been drained, re-insert and re-tighten the screw plug (2).
4. Re-fill with oil. (⇒ Section 6.1.2, Page 38)

7.2.3.2 Grease lubrication

The bearings are supplied packed with high-quality lithium-soap grease.

7.2.3.2.1 Intervals

Under normal conditions the grease-lubricated bearings will run for 15,000 operating hours or 2 years. Under unfavourable operating conditions (e.g. high room temperature, high atmospheric humidity, dust-laden air, aggressive industrial atmosphere etc.), check the bearings earlier and clean and relubricate them if required.

7.2.3.2.2 Grease quality

Optimum grease properties for rolling element bearings

Table 22: Grease quality to DIN 51825

| Soap basis | NLGI grade | Worked penetration at 25° C in mm/10 | Drop point |
|------------|------------|--------------------------------------|------------|
| Lithium | 2 to 3 | 220-295 | ≥ 175 °C |

- Free of resin and acid
- Not liable to crumble
- Rust-preventive characteristics

If required, the bearings may be lubricated with greases of other soap bases. Make sure to remove any old grease and rinse the bearings thoroughly.

7.2.3.2.3 Grease quantity

Table 23: Grease quantity per grease-lubricated DIN 625 radial ball bearing

| Shaft unit ¹²⁾ | Code | Grease quantity per bearing |
|---------------------------|------------|-----------------------------|
| | | [g] |
| 25 | 6305 2Z C3 | 5 |
| 35 | 6307 2Z C3 | 10 |
| 50 | 6310 2Z C3 | 12 |

| Shaft unit ¹²⁾ | Code | Grease quantity per bearing |
|---------------------------|------------|-----------------------------|
| | | [g] |
| 55 | 6311 2Z C3 | 15 |
| 60 | 6312 2Z C3 | 20 |

7.2.3.2.4 Changing the grease

| | |
|--|--|
| | CAUTION |
| | <p>Mixing greases of differing soap bases Changed lubricating qualities!</p> <ul style="list-style-type: none"> ▷ Thoroughly clean the bearings. ▷ Adjust the re-lubrication intervals to the grease used. |

✓ The pump has been dismantled for changing the grease.

1. Remove the outer cover plate of each bearing with a suitable tool. Dispose of the cover plates.
2. Only half-fill the bearing cavities with grease.

Continue using the bearings without the outer cover plates (variant Z C3).

7.3 Drainage/cleaning

| | |
|--|---|
| | ! WARNING |
| | <p>Fluids handled, consumables and supplies which are hot and/or pose a health hazard Hazard to persons and the environment!</p> <ul style="list-style-type: none"> ▷ Collect and properly dispose of flushing fluid and any fluid residues. ▷ Wear safety clothing and a protective mask if required. ▷ Observe all legal regulations on the disposal of fluids posing a health hazard. |

1. Use connection 6B to drain the fluid handled (see drawing of auxiliary connections).
2. Always flush the system if it has been used for handling noxious, explosive, hot or other hazardous fluids.
 Always flush and clean the pump before transporting it to the workshop.
 Provide a certificate of decontamination for the pump. (⇒ Section 11, Page 81)

7.4 Dismantling the pump set

7.4.1 General information/Safety regulations

| | |
|--|---|
| | ! DANGER |
| | <p>Insufficient preparation of work on the pump (set) Risk of injury!</p> <ul style="list-style-type: none"> ▷ Properly shut down the pump set. (⇒ Section 6.1.7, Page 43) ▷ Close the shut-off elements in the suction line and discharge line. ▷ Drain the pump and release the pump pressure. (⇒ Section 7.3, Page 54) ▷ Shut off any auxiliary feed lines. ▷ Allow the pump set to cool down to ambient temperature. |

¹²⁾ Shaft unit see data sheet.

| | |
|--|--|
| | <p>⚠ WARNING</p> <p>Unqualified personnel performing work on the pump (set) Risk of injury!</p> <ul style="list-style-type: none"> ▷ Always have repair work and maintenance work performed by specially trained, qualified personnel. |
| | <p>⚠ WARNING</p> <p>Hot surface Risk of injury!</p> <ul style="list-style-type: none"> ▷ Allow the pump set to cool down to ambient temperature. |
| | <p>⚠ WARNING</p> <p>Improper lifting/moving of heavy assemblies or components Personal injury and damage to property!</p> <ul style="list-style-type: none"> ▷ Use suitable transport devices, lifting equipment and lifting tackle to move heavy assemblies or components. |

Always observe the safety instructions and information. (⇒ Section 7.1, Page 47)

For any work on the motor, observe the instructions of the relevant motor manufacturer.

For dismantling and reassembly observe the exploded views and the general assembly drawing. (⇒ Section 9.1, Page 71)

In the event of damage you can always contact our service departments.



| | |
|--|--|
| | <p>NOTE</p> |
| | <p>All maintenance work, service work and installation work can be carried out by KSB Service or authorised workshops. For contact details refer to the enclosed "Addresses" booklet or visit "https://www.ksb.com/en-global/contact" on the Internet.</p> |
| | <p>NOTE</p> |
| | <p>After a prolonged period of operation the individual components may be hard to pull off the shaft. If this is the case, use a brand name penetrating agent and/or - if possible - an appropriate puller.</p> |

7.4.2 Preparing the pump set

1. Interrupt the power supply and make sure it cannot be switched on again unintentionally.
2. Disconnect and remove all auxiliary pipework.
3. Remove the coupling guard.
4. Remove the coupling spacer if fitted.
5. Drain the oil fill of oil-lubricated bearings. (⇒ Section 7.2.3.1.4, Page 52)

7.4.3 Removing the motor



| | |
|--|--|
| | <p>NOTE</p> |
| | <p>On pump sets with spacer-type couplings, the back pull-out unit can be removed while the motor remains bolted to the baseplate.</p> |

| | |
|---|---|
|  |  WARNING |
| | <p>Motor tipping over Risk of crushing hands and feet!</p> <ul style="list-style-type: none"> ▷ Suspend or support the motor to prevent it from tipping over. |

1. Disconnect the motor from the power supply.
2. Unbolt the motor from the baseplate.
3. Shift the motor to separate it from the pump.

7.4.4 Removing the back pull-out unit

- ✓ The notes and steps stated in (⇒ Section 7.4.1, Page 54) to (⇒ Section 7.4.3, Page 55) have been observed/carried out.
- ✓ On pump sets without spacer-type coupling, the motor has been removed.

| | |
|---|---|
|  |  WARNING |
| | <p>Back pull-out unit tilting Risk of crushing hands and feet!</p> <ul style="list-style-type: none"> ▷ Suspend or support the bearing bracket at the pump end. |

1. If required, suspend or support bearing bracket 330 to prevent it from tipping over.
2. Unbolt support foot 183 from the baseplate.
3. Undo nut 920.01 at the volute casing.
4. Use forcing screws 901.30 (for bolted casing covers) or 901.31 (for clamped casing covers) to remove the back pull-out unit from its seat in the volute casing. Pull the back pull-out unit completely out of the volute casing.
5. Remove and dispose of gasket 400.10.
6. Place the back pull-out unit on a clean and level surface.

7.4.5 Removing the impeller

- ✓ The notes and steps stated in (⇒ Section 7.4.1, Page 54) to (⇒ Section 7.4.4, Page 56) have been observed/carried out.
 - ✓ The back pull-out unit has been placed in a clean and level assembly area.
1. Undo impeller nut 920.95 (right-hand thread).
 2. Remove impeller 230 with an impeller removal tool.
 3. Place impeller 230 on a clean and level surface.
 4. Remove keys 940.01 and 940.09 (if any) from shaft 210.

7.4.6 Removing the shaft seal

7.4.6.1 Removing a single mechanical seal

- ✓ The notes and steps stated in (⇒ Section 7.4.1, Page 54) to (⇒ Section 7.4.5, Page 56) have been observed/carried out.
- ✓ The back pull-out unit has been placed in a clean and level assembly area.
 1. Remove the rotating assembly of the mechanical seal (primary ring) from shaft sleeve 523.
 2. Undo nuts 920.15 (if any) at casing cover 161.
 3. **For models with clamped casing cover:** Undo transport locks 901.98 and remove cover plates 81-92.01 and 81-92.02 with transport locks 901.98 and lock washers 554.98. Remove casing cover 161 from bearing bracket 330.
For models with bolted casing cover: Use forcing screws 901.31 to remove casing cover 161 from bearing bracket 330.
 4. Remove the stationary assembly of the mechanical seal (mating ring) from casing cover 161.
 5. Pull shaft sleeve 523 off shaft 210.
 6. Remove and dispose of gasket 400.75.

7.4.6.2 Removing a double mechanical seal

See supplementary operating manual.

7.4.6.3 Dismantling the gland packing

- ✓ The notes and steps stated in (⇒ Section 7.4.1, Page 54) to (⇒ Section 7.4.5, Page 56) have been observed/carried out.
- ✓ The back pull-out unit has been placed in a clean and level assembly area.
 1. Undo nuts 920.02 at the gland follower and loosen gland follower 452.
 2. Undo nuts 920.15 (if any) at casing cover 161.
 3. **For models with a clamped casing cover:** Undo transport locks 901.98 and remove cover plates 81-92.01 and 81-92.02 with transport locks 901.98 and lock washers 554.98. Remove casing cover 161 from bearing bracket 330.
For models with a bolted casing cover: Use forcing screws 901.31 to remove casing cover 161 from bearing bracket 330.
 4. Remove gland follower 452 from casing cover 161 and remove the packing.
 5. Remove stuffing box ring 454.
 6. Remove packing rings 461 and lantern ring 458, if any.
 7. Pull shaft protecting sleeve 524 off shaft 210.
 8. Remove and dispose of gasket 400.75.

7.4.7 Dismantling the bearings

Oil lubrication

- ✓ The notes and steps stated in (⇒ Section 7.4.1, Page 54) to (⇒ Section 7.4.6, Page 57) have been observed and carried out.
- ✓ The bearing bracket has been placed in a clean and level assembly area.
 1. Undo the grub screw in the coupling hub.
 2. Pull the coupling hub off pump shaft 210 with a puller or, for split-hub coupling designs, undo the screws and take off the hub halves.
 3. Remove key 940.02.
 4. Remove thrower 507.01.
 5. Undo hexagon head bolts 901.01 and 901.02.

6. Remove pump-end bearing cover 360.01 with gasket 400.01 and drive-end bearing cover 360.02 with gasket 400.02.
7. Press shaft 210 out of the shaft seat.
8. Remove radial ball bearings 321.01 and 321.02, and place them on a clean and level surface.
9. Dispose of gaskets 400.01 and 400.02.

Grease lubrication for shaft units 25, 35, 55 (standard bearing assembly)


- ✓ The notes and steps stated in (⇒ Section 7.4.1, Page 54) to (⇒ Section 7.4.6, Page 57) have been observed and carried out.
- ✓ The bearing bracket has been placed in a clean and level assembly area.
 1. Undo the grub screw in the coupling hub.
 2. Pull the coupling hub off pump shaft 210 with a puller or, for split-hub coupling designs, undo the screws and take off the hub halves.
 3. Remove key 940.02.
 4. Remove axial seal rings 411.77 and 411.78.
 5. Remove pump-end bearing cover 360.01 and drive-end bearing cover 360.02.
 6. Remove circlips 932.01 and 932.02.
 7. Press shaft 210 out of the bearing seats.
 8. Remove radial ball bearings 321.01 and 321.02, and place them on a clean and level surface.

Grease lubrication for shaft units 50 and 60 (reinforced bearing assembly)


- ✓ The notes and steps stated in (⇒ Section 7.4.1, Page 54) to (⇒ Section 7.4.6, Page 57) have been observed and carried out.
- ✓ The bearing bracket has been placed in a clean and level assembly area.
 1. Undo the grub screw in the coupling hub.
 2. Pull the coupling hub off pump shaft 210 with a puller or, for split-hub coupling designs, undo the screws and take off the hub halves.
 3. Remove key 940.02.
 4. Remove thrower 507.01.
 5. Undo hexagon head bolts 901.01 and 901.02.
 6. Remove pump-end bearing cover 360.01 and drive-end bearing cover 360.02.
 7. Press shaft 210 out of the shaft seat.
 8. Remove radial ball bearings 321.01 and 321.02, and place them on a clean and level surface.

7.5 Reassembling the pump set

7.5.1 General information/Safety regulations

| | |
|---|---|
|  | <p>⚠ WARNING</p> |
| | <p>Improper lifting/moving of heavy assemblies or components Personal injury and damage to property!</p> <ul style="list-style-type: none"> ▸ Use suitable transport devices, lifting equipment and lifting tackle to move heavy assemblies or components. |

1311.87/03-EN

| | |
|---|---|
|  | CAUTION |
| | <p>Improper reassembly Damage to the pump!</p> <ul style="list-style-type: none"> ▷ Reassemble the pump (set) in accordance with the general rules of sound engineering practice. ▷ Use original spare parts only. |

Sequence Always reassemble the pump in accordance with the corresponding general assembly drawing or exploded view.

Sealing elements Check O-rings for any damage and replace by new O-rings if required.
Always use new gaskets, making sure that they have the same thickness as the old ones.
Always fit gaskets of asbestos-free materials or graphite without using lubricants (e.g. copper grease, graphite paste).

Assembly aids Avoid the use of assembly adhesives if possible.
Should an assembly adhesive be required after all, use a commercially available contact adhesive (e.g. Pattex) or sealant (e.g. HYLOMAR or Epple 33).
Only apply adhesive at selected points and in thin layers.
Never use quick-setting adhesives (cyanoacrylate adhesives).
Coat the locating surfaces of the individual components with graphite or similar before reassembly.

Tightening torques Prior to reassembly, screw back any forcing screws and adjusting screws.
For reassembly, tighten all screws and bolts as specified in this manual. (⇒ Section 7.6, Page 65)

7.5.2 Fitting the bearings

Oil lubrication

- ✓ The individual parts have been placed in a clean and level assembly area.
 - ✓ All dismantled parts have been cleaned and checked for wear.
 - ✓ Any damaged or worn parts have been replaced by original spare parts.
 - ✓ The sealing surfaces have been cleaned.
1. Press radial ball bearings 321.01 and 321.02 onto shaft 210.
 2. Slide the pre-assembled shaft into bearing bracket 330.
 3. Insert new gaskets 400.01 and 400.02.
 4. Fasten bearing covers 360.01 and 360.02 with hexagon head bolts 901.01 and 901.02. Watch lip seals 421.01 and 421.02.
 5. Fit thrower 507.01.
 6. Insert key 940.02.
 7. Fit the coupling hub on pump shaft 210. For split-hub coupling designs, fit the hub halves on pump shaft 210. Fit and tighten the screws clamping the hub halves together. Observe the tightening torques. (⇒ Section 7.6, Page 65)
 8. Secure the coupling hub with a grub screw.

Grease lubrication for shaft units 25, 35, 55 (standard bearing assembly)

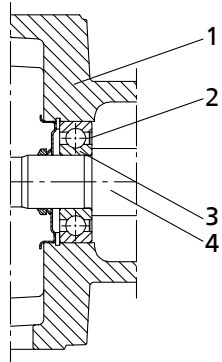


Fig. 20: Installing the radial ball bearing

| | | | |
|---|---------------------|---|--------|
| 1 | Bearing bracket | 2 | Shield |
| 3 | Radial ball bearing | 4 | Shaft |

- ✓ The individual parts have been placed in a clean and level assembly area.
- ✓ All dismantled parts have been cleaned and checked for wear.
- ✓ Any damaged or worn parts have been replaced by original spare parts.
- ✓ The sealing surfaces have been cleaned.

1. Press radial ball bearings 321.01 and 321.02 onto shaft 210.
Make sure the bearing side with the shield rests against the shaft shoulder (see illustration: Installing the radial ball bearings).
2. Slide the pre-assembled shaft into bearing bracket 330.
3. Fit circlips 932.01 and 932.02.
4. Fit bearing covers 360.01 and 360.02.
5. Fit axial seal rings 411.77 and 411.78.
6. Insert key 940.02.
7. Fit the coupling hub on pump shaft 210. For split-hub coupling designs, fit the hub halves on pump shaft 210. Fit and tighten the screws clamping the hub halves together. Observe the tightening torques. (⇒ Section 7.6, Page 65)
8. Secure the coupling hub with a grub screw.

Grease lubrication for shaft units 50 and 60 (reinforced bearing assembly)

- ✓ The individual parts have been placed in a clean and level assembly area.
- ✓ All dismantled parts have been cleaned and checked for wear.
- ✓ Any damaged or worn parts have been replaced by original spare parts.
- ✓ The sealing surfaces have been cleaned.

1. Press radial ball bearings 321.01 and 321.02 onto shaft 210.
Make sure the bearing side with the shield rests against the shaft shoulder (see illustration: Installing the radial ball bearings).
2. Slide the pre-assembled shaft into bearing bracket 330.
3. Fit circlips 932.01 and 932.02.
4. Fasten bearing covers 360.01 and 360.02 with hexagon head bolts 901.01 and 901.02.
5. Fit thrower 507.01.
6. Insert key 940.02.
7. Fit the coupling hub on pump shaft 210. For split-hub coupling designs, fit the hub halves on pump shaft 210. Fit and tighten the screws clamping the hub halves together. Observe the tightening torques. (⇒ Section 7.6, Page 65)
8. Secure the coupling hub with a grub screw.

1311.87/03-EN


7.5.3 Fitting the shaft seal

7.5.3.1 Installing a single mechanical seal


Installing the mechanical seal

The following rules must be observed when installing the mechanical seal:

- Work cleanly and accurately.
- Only remove the protective wrapping of the contact faces immediately before installation takes place.
- Prevent any damage to the sealing surfaces or O-rings.
- ✓ The notes and steps stated in (⇒ Section 7.5.1, Page 58) to (⇒ Section 7.5.2, Page 59) have been observed and carried out.
- ✓ The bearings as well as the individual parts have been placed in a clean and level assembly area.
- ✓ All dismantled parts have been cleaned and checked for wear.
- ✓ Any damaged or worn parts have been replaced by original spare parts.
- ✓ The sealing surfaces have been cleaned.
 1. Clean shaft sleeve 523 and touch up any score marks or scratches with a polishing cloth.
If score marks or scratches are still visible, fit new shaft sleeve 523.
 2. Slide shaft sleeve 523 with new gasket 400.75 onto shaft 210.
 3. Clean the mating ring location in casing cover 161.

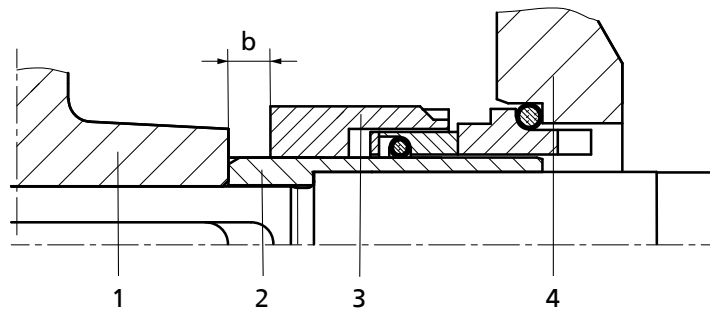
| | |
|--|--|
|  | CAUTION |
| | <p>Elastomers in contact with oil/grease Shaft seal failure!</p> <ul style="list-style-type: none"> ▷ Use water as assembly lubricant. ▷ Never use oil or grease as assembly lubricant. |

4. Carefully insert the mating ring.
Make sure to apply pressure evenly.
5. On variants with a bolted casing cover loosen forcing screws 901.31.
6. Place casing cover 161 into the locating fit of bearing bracket 330.
7. On variants with a clamped casing cover, fasten cover plates 81-92.01 and 81-92.02 with transport locks 901.98 and lock washers 554.98. The casing cover is now fastened to the bearing bracket.
8. Fit and tighten nuts 920.15, if any.

| | |
|---|---|
|  | NOTE |
| | <p>To reduce friction forces when assembling the seal, wet the shaft sleeve and the location of the stationary ring with water.</p> |

9. Fit the rotating assembly of the mechanical seal (primary ring) on shaft sleeve 523.

Observe the following installation dimension b for mechanical seals with installation length L_{1k} to EN 12756 (design KU):


Fig. 21: Installation dimension b of mechanical seal

| | | | |
|---|-----------------|---|--------------|
| 1 | Impeller | 2 | Shaft sleeve |
| 3 | Mechanical seal | 4 | Casing cover |

Table 24: Installation dimensions of the mechanical seal

| Shaft unit ¹³⁾ | Installation dimension b |
|---------------------------|--------------------------|
| 25 | 7,5 mm |
| 35 | 10 mm |
| 55 | 15 mm |

7.5.3.2 Installing a double mechanical seal

See supplementary operating manual.

7.5.3.3 Fitting the gland packing

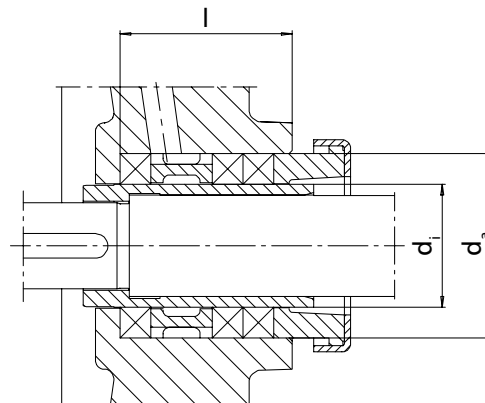

Fig. 22: Gland packing chamber

Table 25: Gland packing chamber dimensions

| Shaft unit ¹⁴⁾ | Gland packing chamber | | | Packing dimensions [mm] | Number of packing rings / lantern ring ¹⁵⁾ | |
|---------------------------|-----------------------|-------------------|----|-------------------------|---|---------|
| | $\varnothing d_i$ | $\varnothing d_a$ | l | | P1 (Na); P3 (Nc); P4 (VSH) | P2 (Nb) |
| 25 | 30 | 46 | 45 | □ 8 x 126 | 3 / 1 | 5 / 0 |
| 35 | 40 | 60 | 56 | □ 10 x 165 | 3 / 1 | 5 / 0 |
| 50 | 40 | 60 | 56 | □ 10 x 165 | 3 / 1 | 5 / 0 |
| 55 | 50 | 70 | 56 | □ 10 x 196 | 3 / 1 | 5 / 0 |
| 60 | 40 | 60 | 56 | □ 10 x 165 | 3 / 1 | 5 / 0 |
| 60.1 | 50 | 70 | 56 | □ 10 x 196 | 3 / 1 | 5 / 0 |

¹³ Shaft unit see data sheet.

¹⁴ Relevant shaft unit see data sheet.

¹⁵ For operation with positive suction head and suction pressure > 0,5 bar, the lantern ring is replaced by two additional packing rings.

- ✓ The notes and steps stated in (⇒ Section 7.5.1, Page 58) to (⇒ Section 7.5.2, Page 59) have been observed/carried out.
- ✓ The bearing assembly as well as the individual parts have been placed in a clean and level assembly area.
- ✓ All dismantled parts have been cleaned and checked for wear.
- ✓ Any damaged or worn parts have been replaced by original spare parts.
- ✓ The sealing surfaces have been cleaned.



Fig. 23: Packing ring cut to size

Model with packing ring cut to size

1. Clean the gland packing chamber.
2. Insert packing ring 461 into the gland packing chamber of casing cover 161.
3. Use stuffing box ring 454 to tamp down packing ring 461.
4. Slide the shaft protecting sleeve (chamfered side first) into the gland packing chamber from the pump end.
5. Insert lantern ring 458, if any (see drawing above).
Insert subsequent packing rings one at a time, with their joints staggered at 90°. Use stuffing box ring 454 to seat each individual packing ring in the gland packing chamber. Once each packing ring is in place, slide shaft protecting sleeve 524 back into position.
6. Position gland follower 452 on studs 902.2. Fasten by tightening nuts 920.2 lightly and evenly.
Do not pack down packing rings 461 yet.
7. Use a feeler gauge to verify that gland follower 452 is fitted centred and at a right angle to the shaft.
8. Slide new gasket 400.75 onto shaft 210.
9. On models with a bolted casing cover loosen forcing screws 901.31.
10. Place casing cover 161 into the locating fit of bearing bracket 330. Verify that shaft 210 and shaft protecting sleeve 524 are aligned properly.
11. On models with a clamped casing cover, fasten cover plates 81-92.01 and 81-92.02 with transport locks 901.98 and lock washers 554.98. The casing cover is now fastened to the bearing bracket.
12. Fit and tighten nuts 920.15, if any.
13. Tighten gland follower 452 lightly and evenly.
The pump rotor must be easy to rotate.

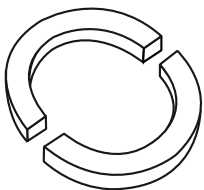


Fig. 24: Pure graphite packing ring

Model with pure graphite packing ring


1. Clean the gland packing chamber.
2. Insert pure graphite packing ring 461.
3. Use stuffing box ring 454 to tamp down pure graphite packing ring 461.
4. Slide the shaft protecting sleeve (chamfered side first) into the gland packing chamber from the pump end.
A visible gap must remain between shaft protecting sleeve 524 and the packing rings.
5. Insert subsequent pure graphite packing rings 461 one at a time, with their joints staggered at approximately 90°. Use stuffing box ring 454 to seat each individual packing ring in the packing chamber. Once each packing ring is in place, slide shaft protecting sleeve 524 back into position.
The pure graphite packing rings 461 must always fit snugly in the stuffing box.
6. Position gland follower 452 on studs 902.2. Fasten by tightening nuts 920.2 lightly and evenly.
7. Use a feeler gauge to verify that gland follower 452 is fitted centred and at a right angle to the shaft.
8. Slide new gasket 400.75 onto shaft 210.
9. On models with a bolted casing cover loosen forcing screws 901.31.
10. Place casing cover 161 into the locating fit of bearing bracket 330. Verify that shaft 210 and shaft protecting sleeve 524 are aligned properly.

11. On models with a clamped casing cover, fasten cover plates 81-92.01 and 81-92.02 with transport locks 901.98 and lock washers 554.98. The casing cover is now fastened to the bearing bracket.
12. Fit and tighten nuts 920.15, if any.
13. Tighten gland follower 452 lightly and evenly.
The pump rotor must be easy to rotate.

7.5.4 Fitting the impeller


- ✓ The notes and steps stated in (⇒ Section 7.5.1, Page 58) to (⇒ Section 7.5.3, Page 61) have been observed/carried out.
 - ✓ The assembled bearing bracket as well as the individual parts have been placed in a clean and level assembly area.
 - ✓ All dismantled parts have been cleaned and checked for wear.
 - ✓ Any damaged or worn parts have been replaced by original spare parts.
 - ✓ The sealing surfaces have been cleaned.
1. Insert key 940.1 and, if applicable, key 940.09. Slide impeller 230 onto shaft 210.
 2. Fasten impeller nut 920.95, spring washer 930.95 and disc 550.95, if applicable. (⇒ Section 7.6, Page 65)

7.5.5 Installing the back pull-out unit

| | |
|--|---|
|  | <p>⚠ WARNING</p> |
| | <p>Back pull-out unit tilting Risk of crushing hands and feet!</p> <ul style="list-style-type: none"> ▷ Suspend or support the bearing bracket at the pump end. |

- ✓ The notes and steps stated in to have been observed and carried out.
 - ✓ Any damaged or worn parts have been replaced by original spare parts.
 - ✓ The sealing surfaces have been cleaned.
 - ✓ For back pull-out units without coupling, fit the coupling in accordance with the manufacturer's instructions.
1. Insert new gasket 400.10 into volute casing 102.
 2. Loosen forcing screws 901.30 or 901.31.
 3. Suspend or support the back pull-out unit to prevent it from tipping over. Guide back pull-out unit over studs 902.01. Then slide it into volute casing 102.
 4. Tighten nut 920.01 at the volute casing. Observe the tightening torques.
 5. Bolt support foot 183 to the baseplate.

7.5.6 Mounting the motor

| | |
|---|--|
|  | <p>NOTE</p> |
| | <p>Steps 1 and 2 do not apply to versions with spacer-type coupling.</p> |

1. Shift the motor to connect it to the pump via the coupling.
2. Fasten the motor to the baseplate.
3. Align pump and motor. (⇒ Section 5.7, Page 33)
4. Connect the motor to the power supply (refer to manufacturer's product literature).

7.6 Tightening torques

7.6.1 Tightening torques for the pump

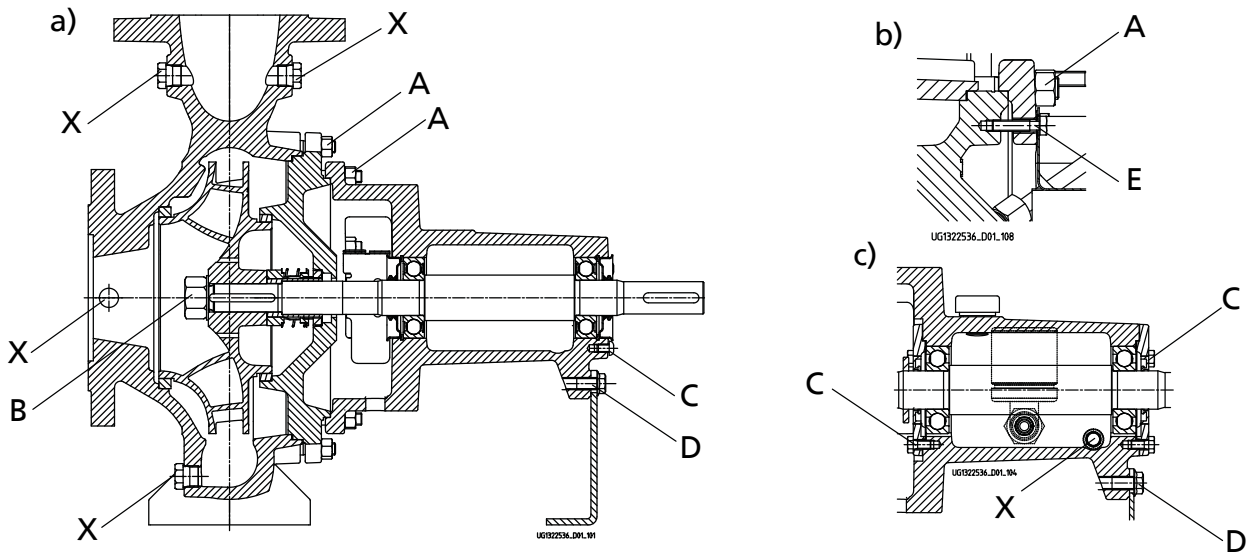


Fig. 25: Tightening points: model with bolted casing cover and grease lubrication (a), model with clamped casing cover (b) and oil lubrication (c)

Table 26: Tightening torques

| Position | Thread | Tightening torques |
|----------|-----------|--------------------|
| | | [Nm] |
| A | M12 | 55 |
| | M16 | 130 |
| B | M12 × 1,5 | 55 |
| | M24 × 1,5 | 130 |
| | M30 × 1,5 | 170 ¹⁶⁾ |
| C | M8 | 20 |
| | M10 | 38 |
| D | M12 | 90 |
| E | M6 | 5 |
| X | 1/8 | 25 |
| | 1/4 | 55 |
| | 3/8 | 80 |
| | 1/2 | 130 |
| | 3/4 | 220 |

¹⁶⁾ For size ETNF 250-150-400: 300 Nm

7.6.2 Tightening torques for the pump set

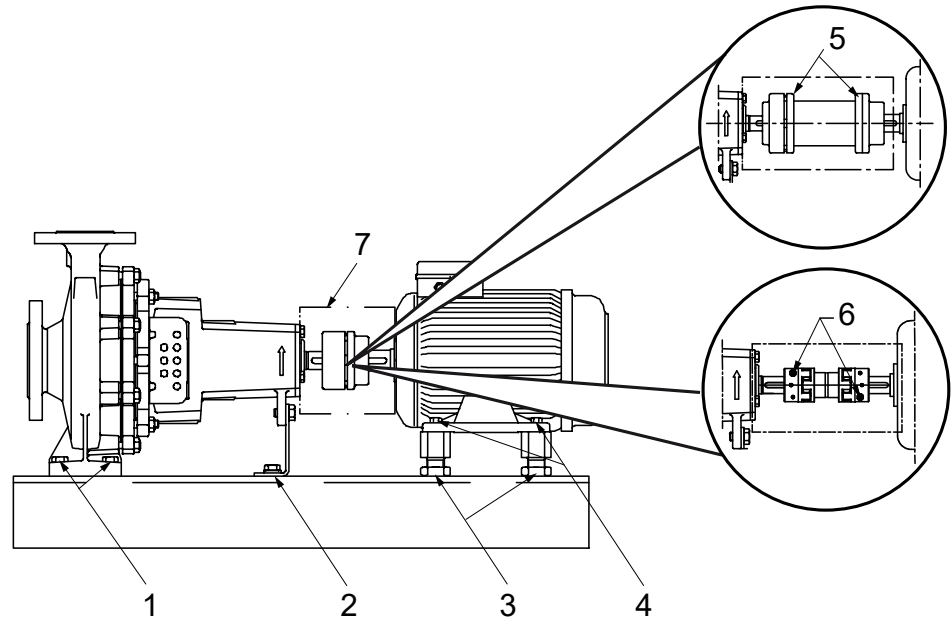


Fig. 26: Position of bolts/screws at the pump set

Table 27: Tightening torques for bolted/screwed connections at the pump set

| Position | Thread size | Tightening torque | Notes |
|----------|-------------|-------------------|---|
| | | [Nm] | |
| 1 | M12 | 30 | Pump on baseplate |
| | M16 | 75 | |
| | M20 | 75 | |
| 2 | M12 | 30 | |
| 3 | M24 × 1,5 | 140 | Adjusting screws in baseplate |
| | M36 × 1,5 | 140 | |
| 4 | M6 | 10 | Motor on baseplate or motor on adjusting screws or bases |
| | M8 | 10 | |
| | M10 | 15 | |
| | M12 | 30 | |
| | M16 | 75 | |
| | M20 | 140 | |
| | M24 | 140 | |
| 5 | M6 | 13 | Coupling (only for spacer-type coupling made by Flender) |
| | M8 | 18 | |
| | M10 | 44 | |
| 6 | M8 | 34 | Coupling (only for double Cardan spacer-type coupling and split-hub coupling design, make: KTR) |
| | M10 | 67 | |
| | M12 | 115 | |
| | M16 | 290 | |
| | M20 | 560 | |
| 7 | M6 | 10 | Coupling guard |

7.7 Spare parts stock

7.7.1 Ordering spare parts

Always quote the following data when ordering replacement or spare parts:

- Order number
- Order item number
- Consecutive number
- Type series
- Size
- Material variant
- Seal code
- Year of construction

Refer to the name plate for all data. (⇒ Section 4.4, Page 19)

Also specify the following data:

- Part No. and description (⇒ Section 9.1, Page 71)
- Quantity of spare parts
- Shipping address
- Mode of dispatch (freight, mail, express freight, air freight)

7.7.2 Recommended spare parts stock

Table 28: Quantity of spare parts for recommended spare parts stock for commissioning

| Part No. | Description | Number of pumps | | | | | | | | | |
|-----------|--------------------------------|-----------------|---|---|---|---|---|---|----|----|-------------|
| | | 1 | 2 | 3 | 4 | 5 | 6 | 7 | 8 | 9 | 10 and more |
| 433 | Mechanical seal | 1 | 1 | 1 | 2 | 2 | 2 | 2 | 3 | 3 | 25 % |
| 433.01/02 | Mechanical seal ¹⁷⁾ | 1 | 1 | 1 | 2 | 2 | 2 | 2 | 3 | 3 | 25 % |
| 400.10 | Gasket | 2 | 4 | 6 | 8 | 8 | 9 | 9 | 12 | 12 | 150 % |
| 400.75 | Gasket | 2 | 4 | 6 | 8 | 8 | 9 | 9 | 12 | 12 | 150 % |
| 400.15 | Gasket ¹⁷⁾ | 2 | 4 | 6 | 8 | 8 | 9 | 9 | 12 | 12 | 150 % |
| 411.15 | Joint ring ¹⁷⁾ | 2 | 4 | 6 | 8 | 8 | 9 | 9 | 12 | 12 | 150 % |
| 412.15 | O-ring ¹⁷⁾ | 2 | 4 | 6 | 8 | 8 | 9 | 9 | 12 | 12 | 150 % |

Table 29: Quantity of spare parts for recommended spare parts stock for 2 years' operation to DIN 24296

| Part No. | Description | Number of pumps | | | | | | | | | |
|-----------|---------------------------------------|-----------------|---|---|---|---|---|---|---|---|-------------|
| | | 1 | 2 | 3 | 4 | 5 | 6 | 7 | 8 | 9 | 10 and more |
| 210 | Shaft | 1 | 1 | 1 | 1 | 2 | 2 | 2 | 2 | 2 | 20 % |
| 230 | Impeller | 1 | 1 | 1 | 1 | 2 | 2 | 2 | 2 | 2 | 20 % |
| 321.01/02 | Rolling element bearing (set) | 1 | 1 | 1 | 2 | 2 | 2 | 2 | 3 | 3 | 25 % |
| 433 | Mechanical seal | 1 | 1 | 1 | 2 | 2 | 2 | 2 | 3 | 3 | 25 % |
| 433.01/02 | Mechanical seal | 1 | 1 | 1 | 2 | 2 | 2 | 2 | 3 | 3 | 25 % |
| 502.01/02 | Casing wear ring ¹⁸⁾ (set) | 1 | 2 | 2 | 2 | 3 | 3 | 3 | 4 | 4 | 50 % |
| 523 | Shaft sleeve | 1 | 2 | 2 | 2 | 3 | 3 | 3 | 4 | 4 | 50 % |
| 524 | Shaft protecting sleeve | 1 | 2 | 2 | 2 | 3 | 3 | 3 | 4 | 4 | 50 % |
| 461 | Gland packing (set) | 2 | 4 | 4 | 6 | 6 | 6 | 6 | 8 | 8 | 100 % |
| 458 | Lantern ring ¹⁸⁾ | 2 | 4 | 4 | 6 | 6 | 6 | 8 | 8 | 8 | 100 % |

¹⁷ For double mechanical seal

¹⁸ If fitted

| Part No. | Description | Number of pumps | | | | | | | | | |
|----------|-------------|-----------------|---|---|---|---|---|---|----|----|-------------|
| | | 1 | 2 | 3 | 4 | 5 | 6 | 7 | 8 | 9 | 10 and more |
| 400.10 | Gasket | 2 | 4 | 6 | 8 | 8 | 9 | 9 | 12 | 12 | 150 % |
| 400.15 | Gasket | 2 | 4 | 6 | 8 | 8 | 9 | 9 | 12 | 12 | 150 % |
| 400.75 | Gasket | 2 | 4 | 6 | 8 | 8 | 9 | 9 | 12 | 12 | 150 % |
| 411.15 | Joint ring | 2 | 4 | 6 | 8 | 8 | 9 | 9 | 12 | 12 | 150 % |
| 412.15 | O-ring | 2 | 4 | 6 | 8 | 8 | 9 | 9 | 12 | 12 | 150 % |

8 Trouble-shooting

| | |
|--|---|
| | WARNING |
| | <p>Improper work to remedy faults Risk of injury!</p> <p>▷ For any work performed to remedy faults, observe the relevant information given in this operating manual and/or in the product literature provided by the accessories manufacturer.</p> |

If problems occur that are not described in the following table, consultation with the KSB service is required.

- A Pump delivers insufficient flow rate
- B Motor is overloaded
- C Excessive discharge pressure
- D Increased bearing temperature
- E Leakage at the pump
- F Excessive leakage at the shaft seal
- G Vibrations during pump operation
- H Impermissible temperature increase in the pump

Table 30: Trouble-shooting

| A | B | C | D | E | F | G | H | Possible cause | Remedy ¹⁹⁾ |
|---|---|---|---|---|---|---|---|--|--|
| X | - | - | - | - | - | - | - | Pump delivers against an excessively high pressure. | Re-adjust to duty point. Check system for impurities. Fit a larger impeller. ²⁰⁾ Increase the speed (turbine, I.C. engine). |
| X | - | - | - | - | - | X | X | Pump or piping are not completely vented or primed. | Vent and/or prime. |
| X | - | - | - | - | - | - | - | Supply line or impeller clogged | Remove deposits in the pump and/or piping. |
| X | - | - | - | - | - | - | - | Formation of air pockets in the piping | Alter piping layout. Fit vent valve. |
| X | - | - | - | - | - | X | X | Suction lift is too high/NPSHavailable (positive suction head) is too low. | Check/alter fluid level. Install pump at a lower level. Fully open the shut-off element in the suction line. Change suction line, if the friction losses in the suction line are too high. Check any strainers installed/suction opening. Observe permissible speed of pressure fall. |
| X | - | - | - | - | - | - | - | Air intake at the shaft seal | Supply external barrier fluid, if necessary, or increase barrier fluid pressure. Replace shaft seal. |
| X | - | - | - | - | - | - | - | Wrong direction of rotation | Check the electrical connection of the motor and the control system, if any. |
| X | - | - | - | - | - | - | - | Speed is too low. - Operation with frequency inverter - Operation without frequency inverter | - Increase voltage/frequency at the frequency inverter in the permissible range. - Check voltage. |
| X | - | - | - | - | - | X | - | Wear of internal components | Replace worn components by new ones. |
| - | X | - | - | - | - | X | - | Pump back pressure is lower than specified in the purchase order. | Re-adjust to duty point. In the case of persistent overloading, turn down impeller. ²⁰⁾ |

1311.87/03-EN

¹⁹⁾ Pump pressure must be released before attempting to remedy faults on parts which are subjected to pressure.

²⁰⁾ Contact the manufacturer.

| A | B | C | D | E | F | G | H | Possible cause | Remedy ¹⁹⁾ |
|---|---|---|---|---|---|---|---|--|--|
| - | X | - | - | - | - | - | - | Density or viscosity of fluid handled higher than stated in purchase order | Contact the manufacturer. |
| - | - | - | - | - | X | - | - | Use of unsuitable shaft seal materials | Change the material combination. ²⁰⁾ |
| - | X | - | - | - | X | - | - | Gland follower over-tightened or cocked | Adjust. |
| - | X | X | - | - | - | - | - | Speed is too high. | Reduce speed. ²⁰⁾ |
| - | - | - | - | X | - | - | - | Tie bolts/sealing element defective | Fit new sealing element between volute casing and casing cover. Re-tighten the bolts. |
| - | - | - | - | - | X | - | - | Worn shaft seal | Fit new shaft seal. Check flushing liquid/barrier fluid. |
| X | - | - | - | - | X | - | - | Score marks or roughness on shaft protecting sleeve / shaft sleeve | Replace shaft protecting sleeve/shaft sleeve. Fit new shaft seal. |
| - | - | - | - | - | X | - | - | Dismantle to find out. | Correct. Fit new shaft seal, if required. |
| - | - | - | - | - | X | - | - | Vibrations during pump operation | Correct the suction conditions. Re-align the pump set. Re-balance the impeller. Increase pressure at the pump suction nozzle. |
| - | - | - | X | - | X | X | - | Pump set is misaligned. | Re-align pump set. |
| - | - | - | X | - | X | X | - | Pump is warped or sympathetic vibrations in the piping. | Check the piping connections and secure fixing of pump; if required, reduce distances between the pipe clamps. Fix the pipelines using anti-vibration material. |
| - | - | - | X | - | - | - | - | Increased axial thrust ²⁰⁾ | Clean balancing holes in the impeller. Replace the casing wear rings. |
| - | - | - | X | - | - | - | - | Insufficient or excessive quantity of lubricant or unsuitable lubricant. | Top up, reduce or change lubricant. |
| - | - | - | X | - | - | - | - | Non-compliance with specified coupling distance | Correct the distance according to general arrangement drawing. |
| X | X | - | - | - | - | - | - | Motor is running on two phases only. | Replace the defective fuse. Check the electric cable connections. |
| - | - | - | - | - | - | X | - | Rotor out of balance | Clean the impeller. Re-balance the impeller. |
| - | - | - | - | - | - | X | - | Defective bearing(s) | Replace. |
| - | - | - | X | - | - | X | X | Flow rate is too low. | Increase the minimum flow rate. |
| - | - | - | - | - | X | - | - | Incorrect inflow of circulation liquid | Increase the free cross-section. |

9 Related Documents

9.1 General assembly drawings

9.1.1 Version with standardised mechanical seal and bolted casing cover

Table 31: This illustration applies to the following pump sizes:

| | | | | | | | | | |
|-------------|---------------|-------------|-------------|-------------|-------------|------------|-------------|-------------|-------------|
| 040-025-200 | 050-032-200.1 | 050-032-200 | 065-040-200 | 065-050-200 | 080-065-200 | 100-80-250 | 125-100-250 | 150-125-250 | 200-150-250 |
| | 050-032-250.1 | 050-032-250 | 065-040-250 | 065-050-250 | 080-065-250 | 100-80-315 | 125-100-315 | 150-125-315 | 200-150-315 |
| | | | 065-040-315 | 065-050-315 | 080-065-315 | 100-80-400 | 125-100-400 | 150-125-400 | 200-150-400 |

[Supplied in packaging units only

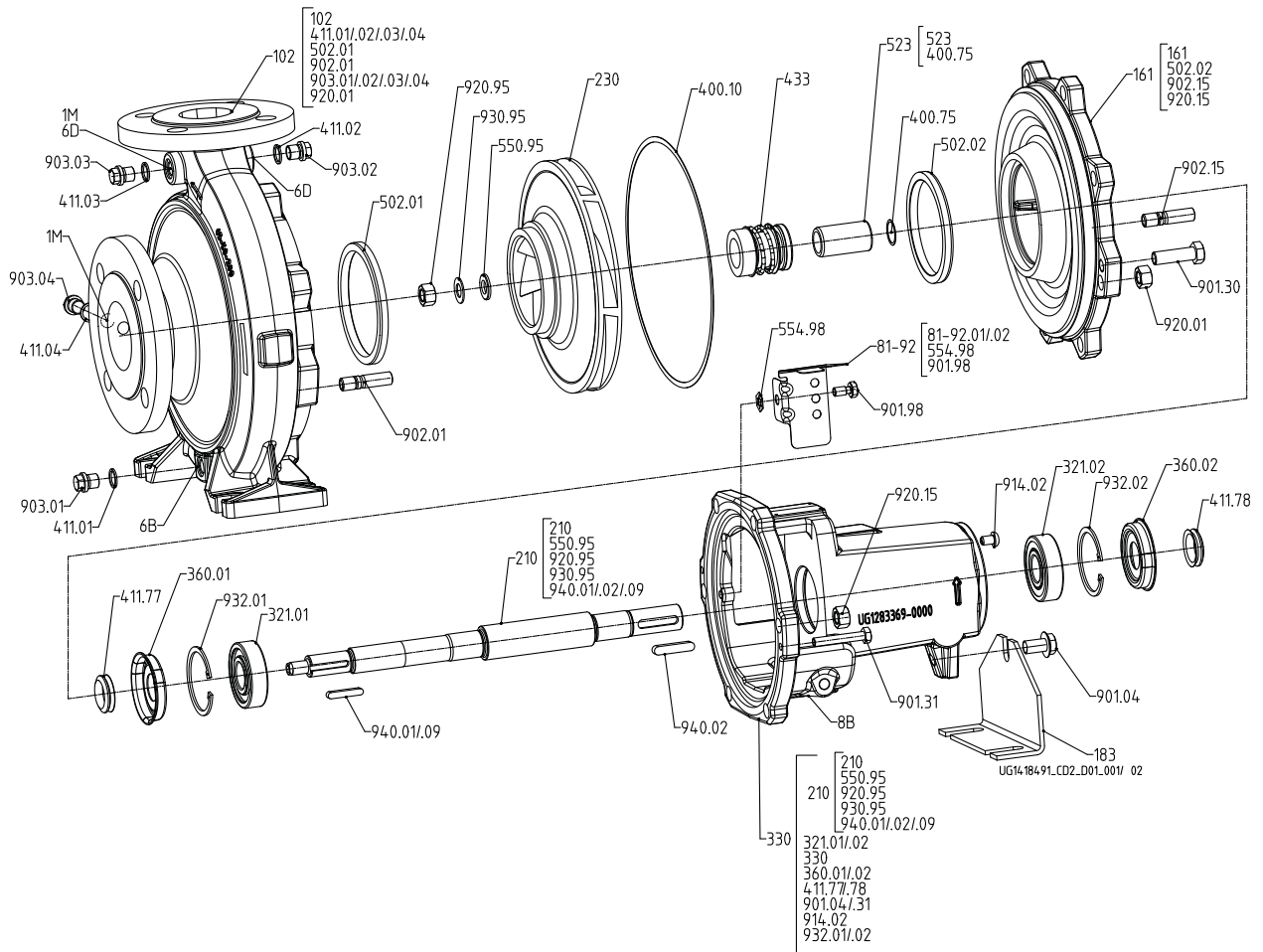


Fig. 27: Version with standardised mechanical seal and bolted casing cover

Table 32: List of components

| Part No. | Description | Part No. | Description |
|------------|--------------------------|-----------------------|-------------------|
| 102 | Volute casing | 523 | Shaft sleeve |
| 161 | Casing cover | 550.95 ²¹⁾ | Disc |
| 183 | Support foot | 554.98 | Lock washer |
| 210 | Shaft | 81-92.01/.02 | Cover plate |
| 230 | Impeller | 901.04/.30/.31/.98 | Hexagon head bolt |
| 321.01/.02 | Deep groove ball bearing | 902.01/.15 | Stud |
| 330 | Bearing bracket | 903.01/.02/.03/.04 | Screw plug |
| 360.01/.02 | Bearing cover | 914.02 | Round-head screw |

²¹⁾ For shaft unit 25 only

| Part No. | Description | Part No. | Description |
|-----------------|---------------------------------|-----------------------------|---------------|
| 400.10/75 | Gasket | 920.01/15/95 | Hexagon nut |
| 411.01/02/03/04 | Joint ring | 930.95 | Spring washer |
| 411.77/78 | Axial seal ring | 932.01/02 | Circlip |
| 433 | Mechanical seal | 940.01/02/09 ²²⁾ | Key |
| 502.01/02 | Casing wear ring ²³⁾ | | |

Table 33: Connections

| Part No. | Description | Part No. | Description |
|----------|--------------------------------|----------|---------------------------|
| 1M | Pressure gauge with connection | 6D | Fluid priming and venting |
| 6B | Fluid drain | 8B | Leakage drain |

²² For shaft units 55 and 60 only

²³ Optional for casing material C

9.1.2 Version with standardised mechanical seal and clamped casing cover

Table 34: This illustration applies to the following pump sizes:

040-025-160 050-032-125.1 050-032-125 065-040-125 065-050-125 080-065-125 100-80-160 125-100-160 150-125-200 200-150-200
 050-032-160.1 050-032-160 065-040-160 065-050-160 080-065-160 100-80-200 125-100-200

[Supplied in packaging units only

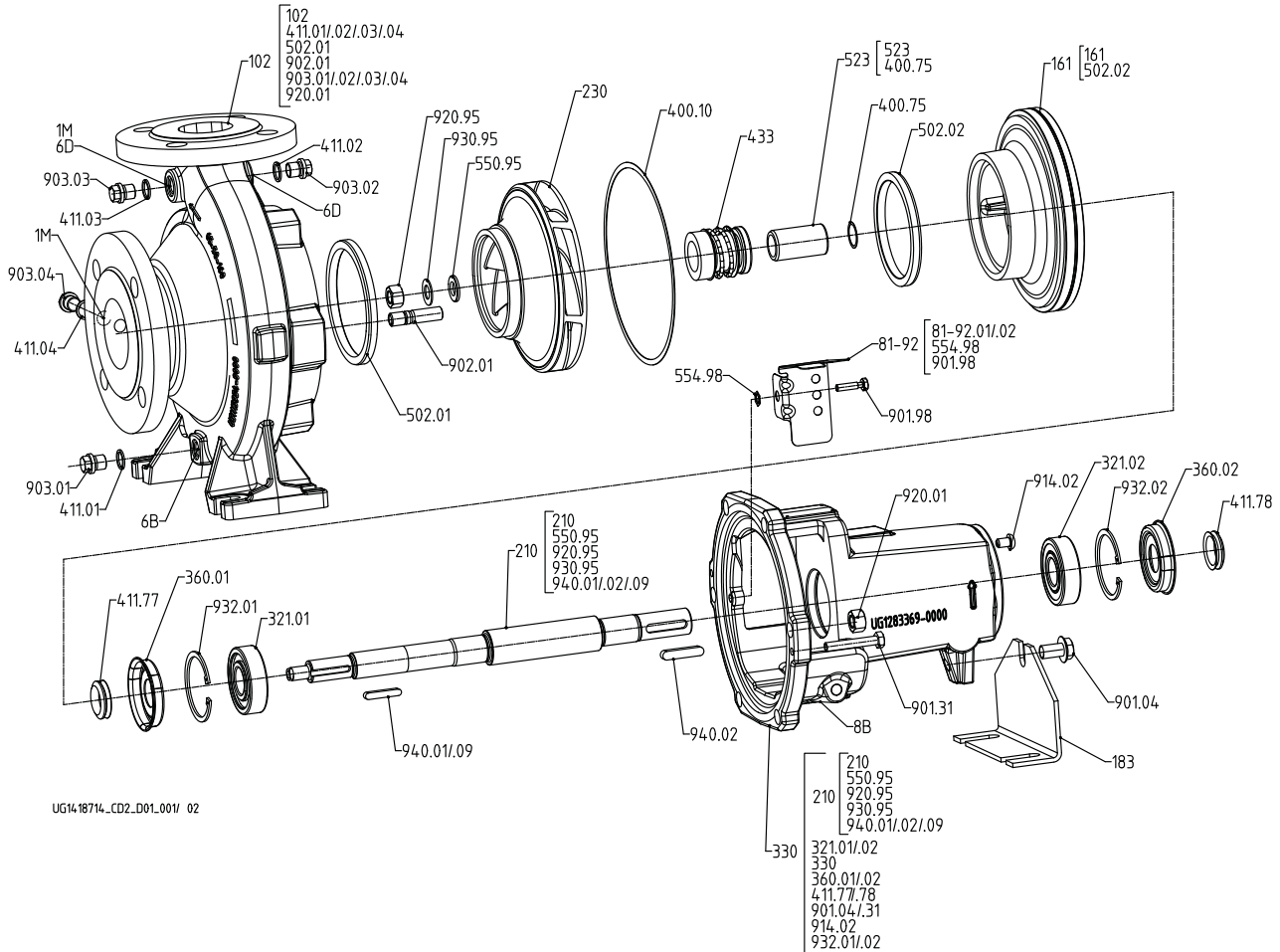


Fig. 28: Version with standardised mechanical seal and clamped casing cover

Table 35: List of components

| Part No. | Description | Part No. | Description |
|-----------------|--------------------------|-----------------------|-------------------|
| 102 | Volute casing | 523 | Shaft sleeve |
| 161 | Casing cover | 550.95 ²⁴⁾ | Disc |
| 183 | Support foot | 554.98 | Lock washer |
| 210 | Shaft | 81-92.01/02 | Cover plate |
| 230 | Impeller | 901.04/31/98 | Hexagon head bolt |
| 321.01/02 | Deep groove ball bearing | 902.01 | Stud |
| 330 | Bearing bracket | 903.01/02/03/04 | Screw plug |
| 360.01/02 | Bearing cover | 914.02 | Round-head screw |
| 400.10/75 | Gasket | 920.01/95 | Hexagon nut |
| 411.01/02/03/04 | Joint ring | 930.95 | Spring washer |
| 411.77/78 | Axial seal ring | 932.01/02 | Circlip |

²⁴ For shaft unit 25 only

| Part No. | Description | Part No. | Description |
|--------------------------|---------------------------------|-----------------------------|-------------|
| 433 | Mechanical seal | 940.01/02/09 ²⁵⁾ | Key |
| 502.01/02 ²⁶⁾ | Casing wear ring ²⁷⁾ | | |

Table 36: Connections

| Part No. | Description | Part No. | Description |
|----------|--------------------------------|----------|---------------------------|
| 1M | Pressure gauge with connection | 6D | Fluid priming and venting |
| 6B | Fluid drain | 8B | Leakage drain |

²⁵⁾ For shaft units 55 and 60 only

²⁶⁾ Not on sizes 040-025-160, 050-32-125.1, 050-32-160.1, 050-32-125, 050-32-160, 065-040-125

²⁷⁾ Optional for casing material C

9.1.3 Version with gland packing and bolted casing cover

Table 37: This illustration applies to the following pump sizes:

| | | | | | | | | | |
|-------------|---------------|-------------|-------------|-------------|-------------|------------|-------------|-------------|-------------|
| 040-025-200 | 050-032-200.1 | 050-032-200 | 065-040-200 | 065-050-200 | 080-065-200 | 100-80-250 | 125-100-250 | 150-125-250 | 200-150-250 |
| | 050-032-250.1 | 050-032-250 | 065-040-250 | 065-050-250 | 080-065-250 | 100-80-315 | 125-100-315 | 150-125-315 | 200-150-315 |
| | | | 065-040-315 | 065-050-315 | 080-065-315 | 100-80-400 | 125-100-400 | 150-125-400 | 200-150-400 |

[Supplied in packaging units only

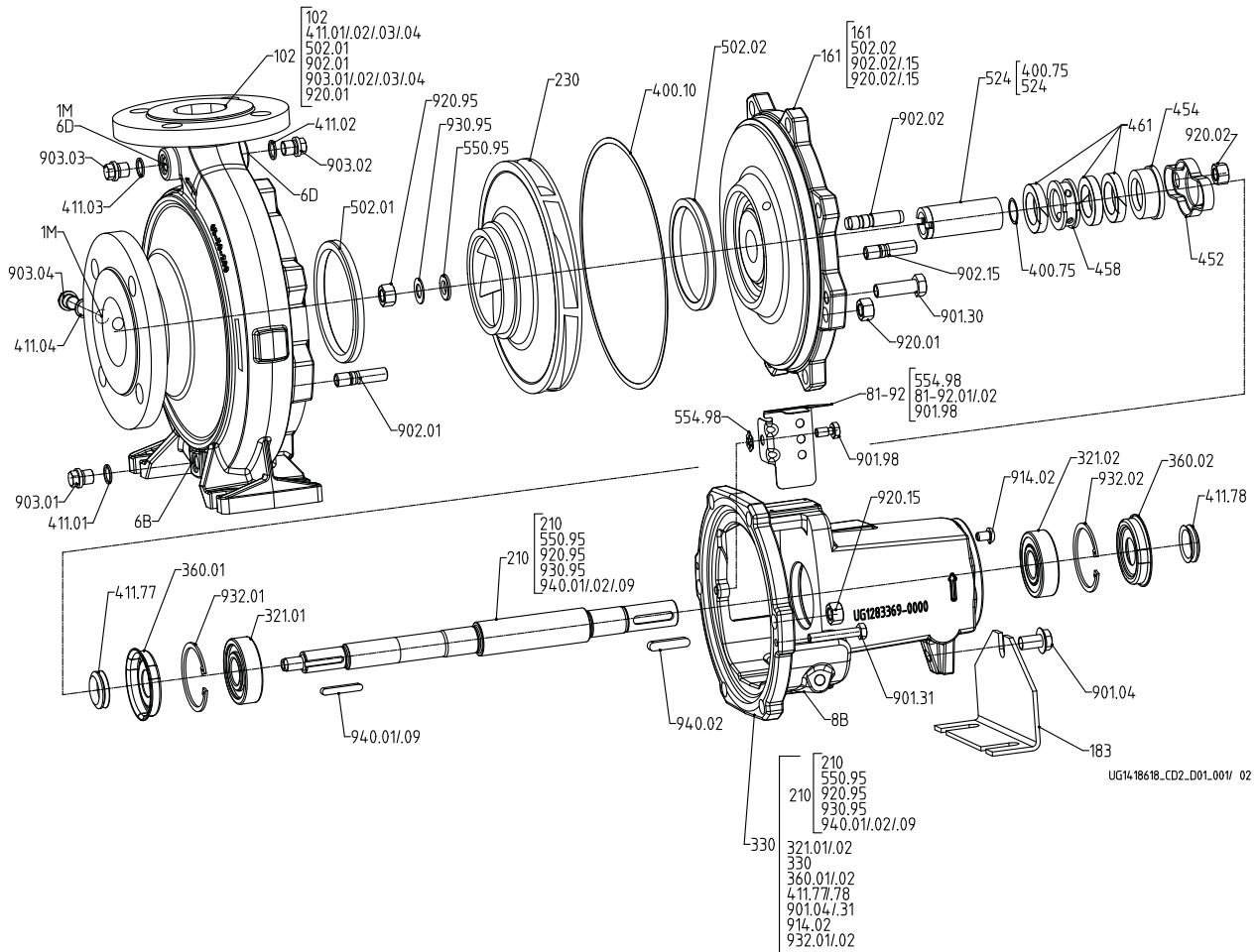


Fig. 29: Version with gland packing and bolted casing cover

Table 38: List of components

| Part No. | Description | Part No. | Description |
|-----------------|--------------------------|-----------------------|---------------------------------|
| 102 | Volute casing | 461 | Gland packing |
| 161 | Casing cover | 502.01/02 | Casing wear ring ²⁸⁾ |
| 183 | Support foot | 524 | Shaft protecting sleeve |
| 210 | Shaft | 550.95 ²⁹⁾ | Disc |
| 230 | Impeller | 554.98 | Lock washer |
| 321.01/02 | Deep groove ball bearing | 81-92.01/02 | Cover plate |
| 330 | Bearing bracket | 901.04/30/31/98 | Hexagon head bolt |
| 360.01/02 | Bearing cover | 902.01/02/15 | Stud |
| 400.10/75 | Gasket | 903.01/02/03/04 | Screw plug |
| 411.01/02/03/04 | Joint ring | 914.02 | Round-head screw |
| 411.77/78 | Axial seal ring | 920.01/02/15/95 | Hexagon nut |

²⁸ Optional for casing material C

²⁹ For shaft unit 25 only

| Part No. | Description | Part No. | Description |
|----------|-------------------|-----------------------------|---------------|
| 452 | Gland follower | 930.95 | Spring washer |
| 454 | Stuffing box ring | 932.01/02 | Circlip |
| 458 | Lantern ring | 940.01/02/09 ³⁰⁾ | Key |

Table 39: Connections

| Part No. | Description | Part No. | Description |
|----------|--------------------------------|----------|---------------------------|
| 1M | Pressure gauge with connection | 6D | Fluid priming and venting |
| 6B | Fluid drain | 8B | Leakage drain |

³⁰⁾ For shaft units 55 and 60 only

9.1.4 Version with gland packing and clamped casing cover

Table 40: This illustration applies to the following pump sizes:

040-025-160 050-032-125.1 050-032-125 065-040-125 065-050-125 080-065-125 100-80-160 125-100-160 150-125-200 200-150-200
 050-032-160.1 050-032-160 065-040-160 065-050-160 080-065-160 100-80-200 125-100-200

[Supplied in packaging units only

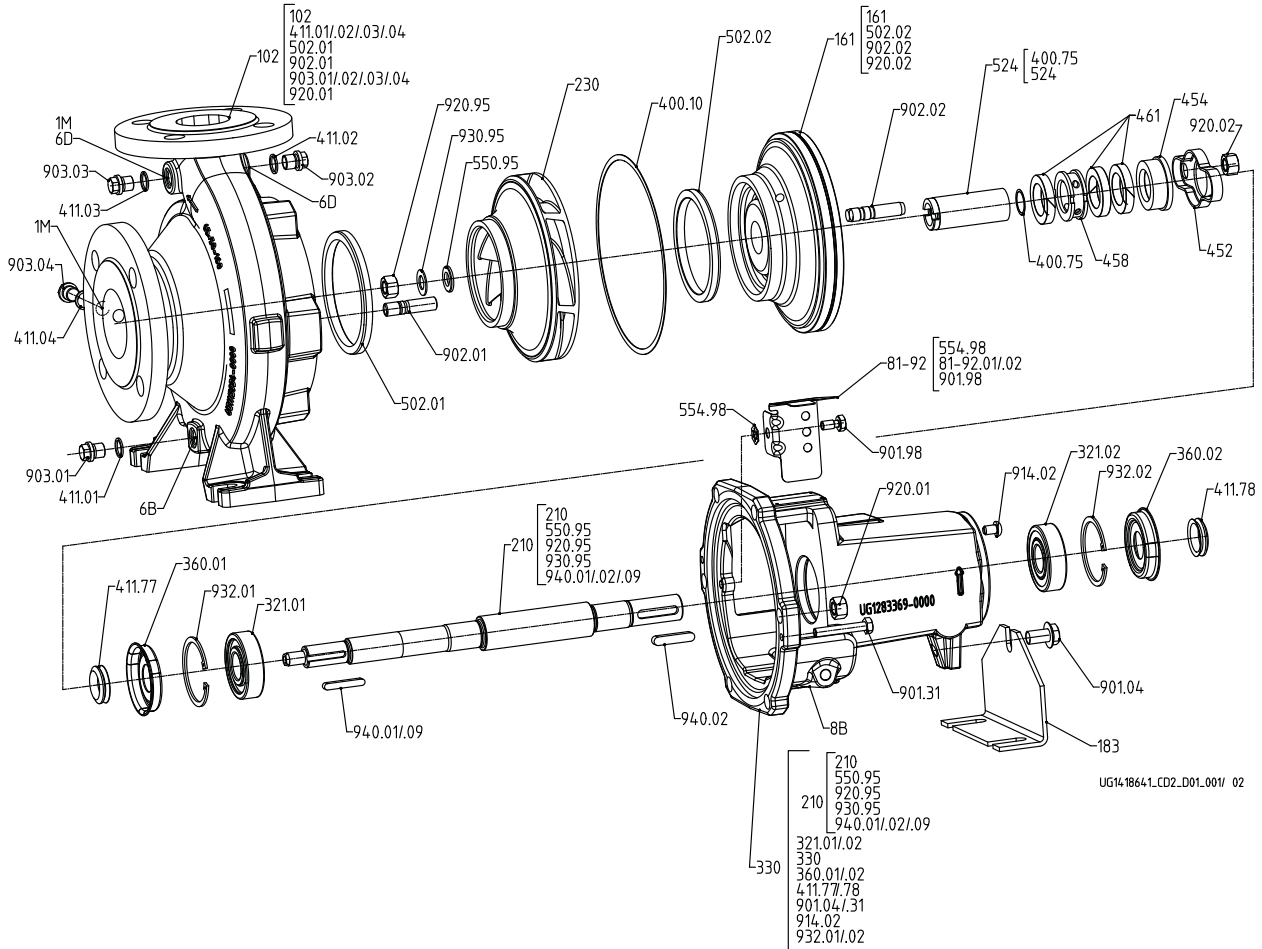


Fig. 30: Version with gland packing and clamped casing cover

Table 41: List of components

| Part No. | Description | Part No. | Description |
|-----------------|--------------------------|--------------------------|---------------------------------|
| 102 | Volute casing | 461 | Gland packing |
| 161 | Casing cover | 502.01/02 ³¹⁾ | Casing wear ring ³²⁾ |
| 183 | Support foot | 524 | Shaft protecting sleeve |
| 210 | Shaft | 550.95 ³³⁾ | Disc |
| 230 | Impeller | 554.98 | Lock washer |
| 321.01/02 | Deep groove ball bearing | 81-92.01/02 | Cover plate |
| 330 | Bearing bracket | 901.04/31/98 | Hexagon head bolt |
| 360.01/02 | Bearing cover | 902.01/02 | Stud |
| 400.10/75 | Gasket | 903.01/02/03/04 | Screw plug |
| 411.01/02/03/04 | Joint ring | 914.02 | Round-head screw |
| 411.77/78 | Axial seal ring | 920.01/02/95 | Hexagon nut |
| 452 | Gland follower | 930.95 | Spring washer |

³¹ Not on sizes 040-025-160, 050-32-125.1, 050-32-160.1, 050-32-125, 050-32-160, 065-040-125

³² Optional for casing material C

³³ For shaft unit 25 only

| Part No. | Description | Part No. | Description |
|----------|-------------------|-----------------------------|-------------|
| 454 | Stuffing box ring | 932.01/02 | Circlip |
| 458 | Lantern ring | 940.01/02/09 ³⁴⁾ | Key |

Table 42: Connections

| Part No. | Description | Part No. | Description |
|----------|--------------------------------|----------|---------------------------|
| 1M | Pressure gauge with connection | 6D | Fluid priming and venting |
| 6B | Fluid drain | 8B | Leakage drain |

9.1.5 Version with reinforced bearings

Table 43: This illustration applies to the following pump sizes:

| | | | | | | | | | |
|-------------|---------------|-------------|-------------|-------------|-------------|------------|-------------|-------------|-------------|
| 040-025-160 | 050-032-125.1 | 050-032-125 | 065-040-125 | 065-050-125 | 080-065-125 | 100-80-160 | 125-100-160 | 150-125-200 | 200-150-200 |
| 040-025-200 | 050-032-160.1 | 050-032-160 | 065-040-160 | 065-050-160 | 080-065-160 | 100-80-200 | 125-100-200 | 150-125-250 | 200-150-250 |
| | 050-032-200.1 | 050-032-200 | 065-040-200 | 065-050-200 | 080-065-200 | 100-80-250 | 125-100-250 | 150-125-315 | 200-150-315 |
| | 050-032-250.1 | 050-032-250 | 065-040-250 | 065-050-250 | 080-065-250 | 100-80-315 | 125-100-315 | 150-125-400 | 200-150-400 |
| | | | 065-040-315 | 065-050-315 | 080-065-315 | 100-80-400 | 125-100-400 | | |

[Supplied in packaging units only

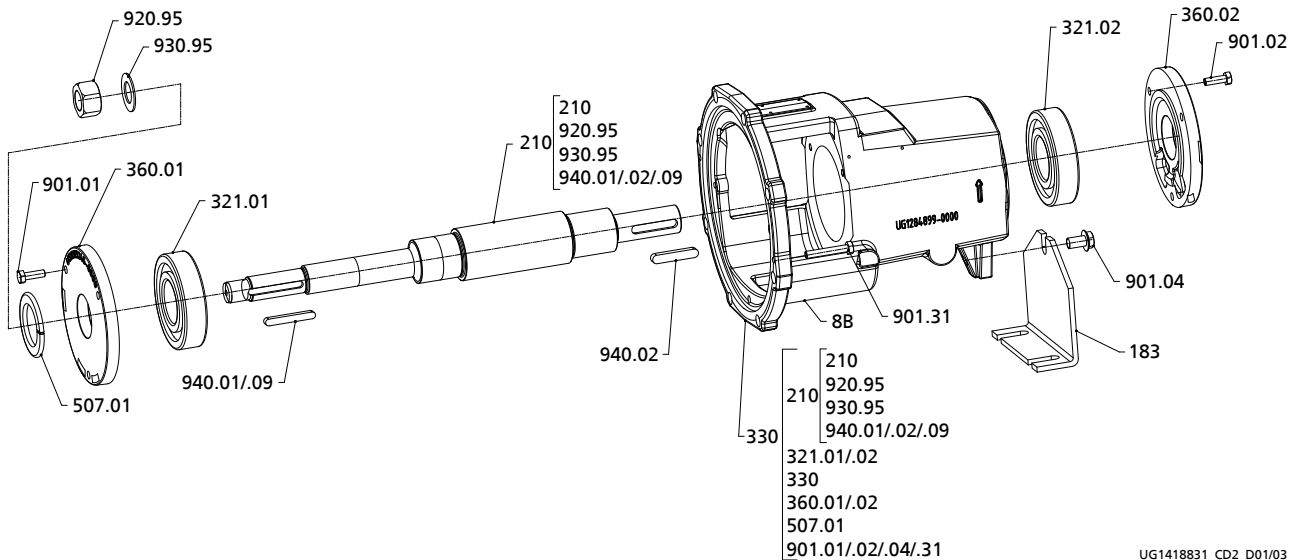


Fig. 31: Version with reinforced bearings (shaft units 50 and 60)

Table 44: List of components³⁵⁾

| Part No. | Description | Part No. | Description |
|-----------|--------------------------|-----------------------------|-------------------|
| 183 | Support foot | 507.01 | Thrower |
| 210 | Shaft | 901.01/02/04/31 | Hexagon head bolt |
| 330 | Bearing bracket | 920.95 | Hexagon nut |
| 321.01/02 | Deep groove ball bearing | 930.95 | Spring washer |
| 360.01/02 | Bearing cover | 940.01/02/09 ³⁶⁾ | Key |

Table 45: Connections

| Part No. | Description | Part No. | Description |
|----------|---------------|----------|-------------|
| 8B | Leakage drain | | |

³⁴ For shaft units 55 and 60 only

³⁵ Some individual components might not be applicable, depending on the pump size and material.

³⁶ For shaft unit 60 only

9.1.6 Version with oil lubrication and constant level oiler

Table 46: This illustration applies to the following pump sizes:

| | | | | | | | | | |
|-------------|---------------|-------------|-------------|-------------|-------------|------------|-------------|-------------|-------------|
| 040-025-160 | 050-032-125.1 | 050-032-125 | 065-040-125 | 065-050-125 | 080-065-125 | 100-80-160 | 125-100-160 | 150-125-200 | 200-150-200 |
| 040-025-200 | 050-032-160.1 | 050-032-160 | 065-040-160 | 065-050-160 | 080-065-160 | 100-80-200 | 125-100-200 | 150-125-250 | 200-150-250 |
| | 050-032-200.1 | 050-032-200 | 065-040-200 | 065-050-200 | 080-065-200 | 100-80-250 | 125-100-250 | 150-125-315 | 200-150-315 |
| | 050-032-250.1 | 050-032-250 | 065-040-250 | 065-050-250 | 080-065-250 | 100-80-315 | 125-100-315 | 150-125-400 | 200-150-400 |
| | | | 065-040-315 | 065-050-315 | 080-065-315 | 100-80-400 | 125-100-400 | | |

[Supplied in packaging units only

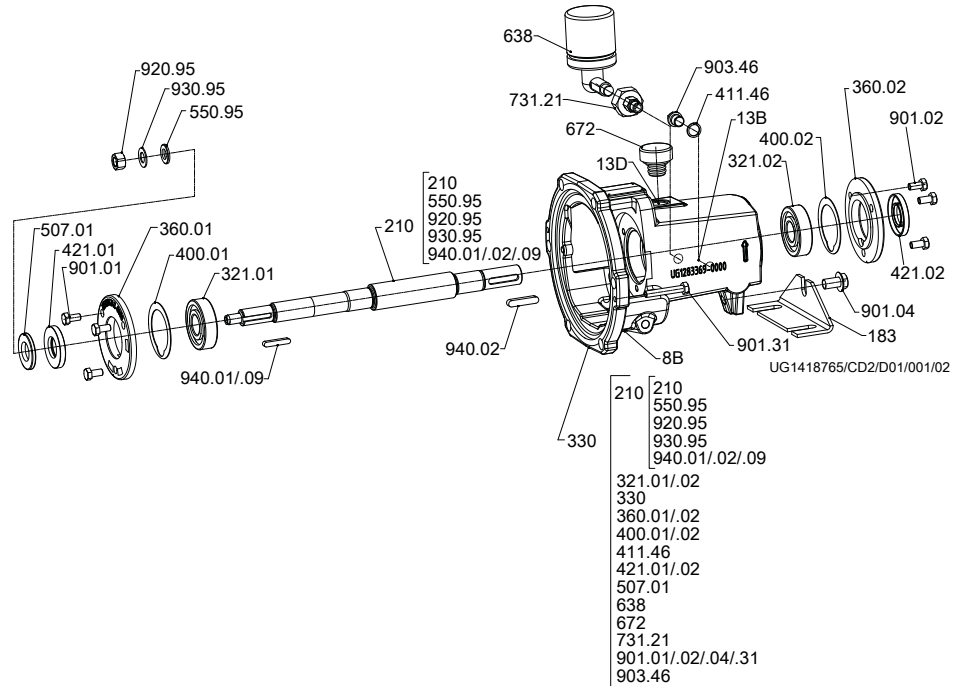


Fig. 32: Version with oil lubrication and constant level oiler

Table 47: List of components³⁷⁾

| Part No. | Description | Part No. | Description |
|-----------|--------------------------|-----------------------------|----------------------|
| 183 | Support foot | 550.95 ³⁸⁾ | Disc |
| 210 | Shaft | 638 | Constant level oiler |
| 330 | Bearing bracket | 672 | Vent |
| 321.01/02 | Deep groove ball bearing | 731.21 | Pipe union |
| 360.01/02 | Bearing cover | 901.01/02/04/31 | Hexagon head bolt |
| 400.01/02 | Gasket | 903.46 | Screw plug |
| 411.46 | Joint ring | 920.95 | Hexagon nut |
| 421.01/02 | Lip seal | 930.95 | Spring washer |
| 507.01 | Thrower | 940.01/02/09 ³⁹⁾ | Key |

Table 48: Connections

| Part No. | Description | Part No. | Description |
|----------|---------------|----------|-------------------------|
| 8B | Leakage drain | 13D | Oil filling and venting |
| 13B | Oil drain | | |

1311.87/03-EN

³⁷⁾ Some individual components might not be applicable, depending on the pump size and material.

³⁸⁾ For shaft unit 25 only

³⁹⁾ For shaft units 55 and 60 only

10 UK Declaration of Conformity

Manufacturer: **KSB SE & Co. KGaA**
Johann-Klein-Straße 9
67227 Frankenthal (Germany)

This UK Declaration of Conformity is issued under the sole responsibility of the manufacturer.

The manufacturer herewith declares that **the product**:

Etabloc, Etabloc SYT, Etaline, Etaline SYT, Etaline Z, Etachrom B, Etachrom L, Etanorm, Etanorm SYT, Etanorm V, Etaprime L, Etaprime B

KSB order number:

- is in conformity with the provisions of the following directives / regulations as amended from time to time:
 - Pump (set): Supply of Machinery (Safety) Regulations 2008
 - Electrical components⁴⁰⁾: The Restriction of the Use of Certain Hazardous Substances in Electrical and Electronic Equipment Regulations 2012

The manufacturer also declares that

- the following harmonised international standards⁴¹⁾ have been applied:
 - ISO 12100
 - EN 809

Person authorised to compile the technical file:

Name
Function
Address (company)
Address (street, No.)
Address (post or ZIP code, city) (country)

Place, date

.....⁴²⁾.....

Name
Function
Company
Address

⁴⁰ Where applicable

⁴¹ Apart from the standards listed here referring to the *Supply of Machinery (Safety) Regulations 2008*, further standards are observed for explosion-proof versions (*Equipment and Protective Systems Intended for use in Potentially Explosive Atmospheres Regulations 2016*) as applicable and are listed in the legally binding UK Declaration of Conformity.

⁴² A signed, legally binding UK Declaration of Conformity is supplied with the product.

11 Certificate of Decontamination

Type:

Order number /
Order item number⁴³):

Delivery date:

Application:

Fluid handled⁴³):

Please tick where applicable⁴³:



Corrosive



Oxidising



Flammable



Explosive



Hazardous to health



Seriously hazardous to health



Toxic



Radioactive



Bio-hazardous



Safe

Reason for return:⁴³:

Comments:

The product / accessories have been carefully drained, cleaned and decontaminated inside and outside prior to dispatch / placing at your disposal.

We herewith declare that this product is free from hazardous chemicals and biological and radioactive substances.

For mag-drive pumps, the inner rotor unit (impeller, casing cover, bearing ring carrier, plain bearing, inner rotor) has been removed from the pump and cleaned. In cases of containment shroud leakage, the outer rotor, bearing bracket lantern, leakage barrier and bearing bracket or intermediate piece have also been cleaned.

For canned motor pumps, the rotor and plain bearing have been removed from the pump for cleaning. In cases of leakage at the stator can, the stator space has been examined for fluid leakage; if fluid handled has penetrated the stator space, it has been removed.

- No special safety precautions are required for further handling.
- The following safety precautions are required for flushing fluids, fluid residues and disposal:

.....
.....

We confirm that the above data and information are correct and complete and that dispatch is effected in accordance with the relevant legal provisions.

.....
Place, date and signature

.....
Address

.....
Company stamp

⁴³ Required field

Index

A

Applications 9
Auxiliary connections 30

B

Bearing temperature 49
Bearings 20

C

Certificate of Decontamination 81
Clearances 50
Commissioning 38
Configuration 21
Constant level oiler 38
Coupling 50
Coupling alignment 32

D

Design 19
Direction of rotation 37
Dismantling 55
Disposal 15

E

Event of damage 7
 Ordering spare parts 67
Exploded view 71, 73, 75, 77, 78, 79
Explosion protection 23, 31, 34, 35, 36, 37, 39, 41, 44,
47, 48, 49, 50, 51

F

Faults
 Causes and remedies 69
Filter 26, 51
Final check 40
Fluid handled
 Density 45
Function 21

G

General assembly drawing 71, 73, 75, 77, 78, 79
Gland packing 42
Grease lubrication
 Grease quality 53
 Intervals 53

I

Impeller type 19

Installation

 Installation on a foundation 24
 without foundation 25
Installation at site 23
Intended use 9

K

Key to safety symbols/markings 8

L

Leakage rate 42
Lubrication 20

M

Maintenance 48
Mechanical seal 42
Monitoring equipment 12

N

Name plate 19
Noise characteristics 21

O

Oil lubrication
 Intervals 51
 Oil quality 51
 Oil quantity 52
Operating limits 44
Order number 7
Other applicable documents 7

P

Partly completed machinery 7
Permissible forces at the pump nozzles 27
Piping 26
Preservation 14, 46
Priming and venting 40
Product code 16
Product description 16
Pump casing 19
Pure graphite packing 42

R

Reassembly 55, 59
Return to supplier 14
Returning to service 46
Running noises 48

S

- Safety 9
- Safety awareness 10
- Scope of supply 22
- Shaft seal 20
- Shutdown 46
- Spare part
 - Ordering spare parts 67
- Spare parts 67
- Start-up 41
- Stopfbuchspackung
 - Abmessungen 62
- Storage 14, 46

T

- Temperature limits 11
- Tightening torques 65, 66
- Transport 13

W

- Warnings 8
- Warranty claims 7



KSB SE & Co. KGaA

Johann-Klein-Straße 9 • 67227 Frankenthal (Germany)

Tel. +49 6233 86-0

www.ksb.com

1311.87/03-EN (05152921)