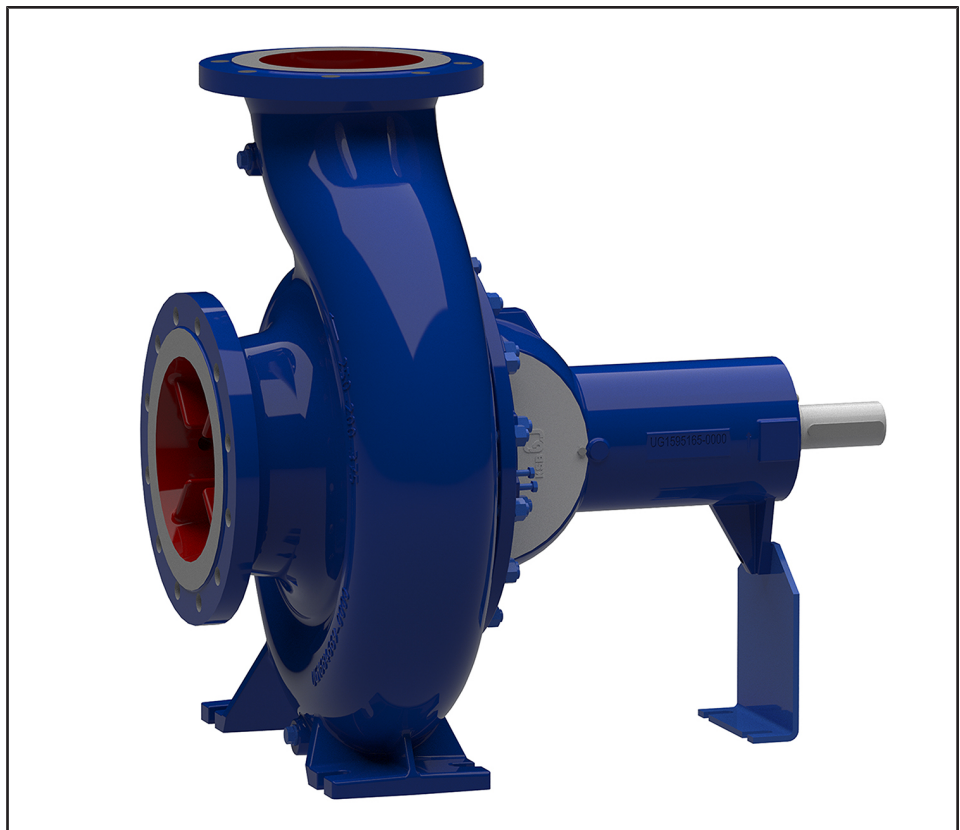


Water Pump

Etanorm

Complementary Sizes

Installation/Operating Manual



Legal information/Copyright

Installation/Operating Manual Etanorm

Original operating manual

All rights reserved. The contents provided herein must neither be distributed, copied, reproduced, edited or processed for any other purpose, nor otherwise transmitted, published or made available to a third party without the manufacturer's express written consent.

Subject to technical modification without prior notice.

© KSB SE & Co. KGaA, Frankenthal 09/11/2021

Contents

	Glossary	6
1	General.....	7
	1.1 Principles	7
	1.2 Installation of partly completed machinery.....	7
	1.3 Target group.....	7
	1.4 Other applicable documents.....	7
	1.5 Symbols	7
	1.6 Key to safety symbols/markings.....	8
2	Safety	9
	2.1 General.....	9
	2.2 Intended use	9
	2.3 Personnel qualification and training.....	9
	2.4 Consequences and risks caused by non-compliance with this manual	10
	2.5 Safety awareness	10
	2.6 Safety information for the operator/user	10
	2.7 Safety information for maintenance, inspection and installation	10
	2.8 Unauthorised modes of operation	11
	2.9 Explosion protection	11
	2.9.1 Marking	11
	2.9.2 Temperature limits.....	11
	2.9.3 Monitoring equipment.....	12
	2.9.4 Operating limits	12
3	Transport/Storage/Disposal	13
	3.1 Checking the condition upon delivery	13
	3.2 Transport.....	13
	3.3 Storage/preservation	14
	3.4 Return to supplier.....	14
	3.5 Disposal	15
4	Description of the Pump (Set)	16
	4.1 General description	16
	4.2 Product information.....	16
	4.2.1 Product Information as per Regulation No. 547/2012 (for water pumps with a maximum shaft power of 150 kW) implementing "Ecodesign" Directive 2009/125/EC.....	16
	4.2.2 Product information as per Regulation No. 1907/2006 (REACH)	16
	4.3 Designation.....	16
	4.4 Name plate.....	20
	4.5 Design details.....	21
	4.6 Configuration and function.....	22
	4.7 Noise characteristics	23
	4.8 Dimensions and weights	23
	4.9 Scope of supply.....	23
5	Installation at Site	24
	5.1 Safety regulations.....	24
	5.2 Checks to be carried out prior to installation.....	24
	5.3 Installing the pump set	24
	5.3.1 Installation on the foundation.....	25
	5.3.2 Installation without foundation	26
	5.4 Piping	26
	5.4.1 Connecting the piping.....	26
	5.4.2 Permissible forces and moments at the pump nozzles.....	28
	5.4.3 Vacuum balance line.....	29
	5.4.4 Auxiliary connections.....	30

5.5	Enclosure/insulation	30
5.6	Checking the coupling alignment	31
5.7	Aligning the pump and motor	32
5.7.1	Motors with adjusting screw	33
5.7.2	Motors without adjusting screw	33
5.8	Electrical connection	34
5.8.1	Setting the time relay	35
5.8.2	Earthing	35
5.8.3	Connecting the motor	35
5.9	Checking the direction of rotation.....	36
6	Commissioning/Start-up/Shutdown.....	37
6.1	Commissioning/Start-up.....	37
6.1.1	Prerequisites for commissioning/start-up	37
6.1.2	Filling in the lubricants	37
6.1.3	Priming and venting the pump.....	38
6.1.4	Final check.....	39
6.1.5	Start-up.....	40
6.1.6	Checking the shaft seal.....	41
6.1.7	Shutdown	42
6.2	Operating limits.....	43
6.2.1	Ambient temperature.....	43
6.2.2	Frequency of starts.....	44
6.2.3	Fluid handled	44
6.3	Shutdown/storage/preservation	45
6.3.1	Measures to be taken for shutdown	45
6.4	Returning to service	45
7	Servicing/Maintenance.....	47
7.1	Safety regulations.....	47
7.2	Servicing/Inspection.....	48
7.2.1	Supervision of operation	48
7.2.2	Inspection work.....	50
7.2.3	Lubrication and lubricant change of rolling element bearings.....	51
7.3	Drainage/cleaning	54
7.4	Dismantling the pump set.....	54
7.4.1	General information/Safety regulations.....	54
7.4.2	Preparing the pump set.....	55
7.4.3	Removing the motor.....	55
7.4.4	Removing the back pull-out unit	55
7.4.5	Removing the impeller	56
7.4.6	Removing the shaft seal	56
7.4.7	Dismantling the bearing assembly.....	57
7.5	Reassembling the pump set.....	57
7.5.1	General information/Safety regulations.....	57
7.5.2	Installing the bearing assembly	58
7.5.3	Fitting the shaft seal	60
7.5.4	Fitting the impeller	63
7.5.5	Installing the back pull-out unit	64
7.5.6	Mounting the motor	64
7.6	Tightening torques.....	65
7.6.1	Tightening torques for the pump.....	65
7.6.2	Tightening torques for the shaft seal.....	65
7.6.3	Tightening torques for the pump set.....	66
7.7	Spare parts stock.....	67
7.7.1	Ordering spare parts.....	67
7.7.2	Recommended spare parts stock	67

8	Trouble-shooting.....	68
9	Related Documents	70
9.1	General assembly drawings	70
9.1.1	Version with standardised mechanical seal and bolted casing cover.....	70
9.1.2	Version with standardised mechanical seal and clamped casing cover.....	72
9.1.3	Version with gland packing and bolted casing cover.....	74
9.1.4	Version with gland packing and clamped casing cover	76
9.1.5	Version with oil lubrication and constant level oiler.....	78
10	EU Declaration of Conformity	80
	Index	81

Glossary

ACS

French drinking water regulations (ACS = Attestation de Conformité Sanitaire)

Back pull-out design

The complete back pull-out unit can be pulled out without having to remove the pump casing from the piping.

Back pull-out unit

Pump without pump casing; partly completed machinery

Discharge line

The pipeline which is connected to the discharge nozzle

FM

Certification by FM Global (FM = Factory Mutual) regarding property insurance in industry and risk management; FM Approved products

Hydraulic system

The part of the pump in which the kinetic energy is converted into pressure energy

Pool of pumps

Customers/operators' pumps which are purchased and stored regardless of their later use.

Pump

Machine without drive, additional components or accessories

Pump set

Complete pump set consisting of pump, drive, additional components and accessories

Suction lift line/suction head line

The pipeline which is connected to the suction nozzle

UBA

German drinking water regulations to German Environment Agency

UL

Certification of materials, components and end products regarding product safety (UL = Underwriters Laboratories)

VdS

Certification for fire protection and safety by VdS

WRAS

Approved by all water suppliers in the UK (WRAS = Water Regulations Advisory Scheme)

1 General

1.1 Principles

This operating manual is valid for the type series and variants indicated on the front cover.

The operating manual describes the proper and safe use of this equipment in all phases of operation.

The name plate indicates the type series and size, the main operating data, the order number and the order item number. The order number and order item number clearly identify the pump set and serve as identification for all further business processes.

In the event of damage, immediately contact your nearest KSB service facility to maintain the right to claim under warranty.

1.2 Installation of partly completed machinery

To install partly completed machinery supplied by KSB refer to the sub-sections under Servicing/Maintenance.

1.3 Target group

This operating manual is aimed at the target group of trained and qualified specialist technical personnel. (⇒ Section 2.3, Page 9)

1.4 Other applicable documents

Table 1: Overview of other applicable documents

Document	Contents
Data sheet	Description of the technical data of the pump (set)
General arrangement drawing / outline drawing	Description of mating dimensions and installation dimensions for the pump (set), weights
Drawing of auxiliary connections	Description of auxiliary connections
Hydraulic characteristic curve	Characteristic curves showing head, NPSH required, efficiency and power input
General assembly drawing ¹⁾	Sectional drawing of the pump
Sub-supplier product literature ¹⁾	Operating manuals and other product literature describing accessories and integrated machinery components
Spare parts lists ¹⁾	Description of spare parts
Piping layout ¹⁾	Description of auxiliary piping
List of components ¹⁾	Description of all pump components
Assembly drawing ¹⁾	Sectional drawing of the installed shaft seal


For accessories and/or integrated machinery components observe the relevant manufacturer's product literature.

1.5 Symbols

Table 2: Symbols used in this manual







Symbol	Description
✓	Conditions which need to be fulfilled before proceeding with the step-by-step instructions
▷	Safety instructions
⇒	Result of an action
⇔	Cross-references

¹ If agreed to be included in the scope of supply

Symbol	Description
1. 2.	Step-by-step instructions
	Note Recommendations and important information on how to handle the product

1.6 Key to safety symbols/markings

Table 3: Definition of safety symbols/markings

Symbol	Description
 DANGER	DANGER This signal word indicates a high-risk hazard which, if not avoided, will result in death or serious injury.
 WARNING	WARNING This signal word indicates a medium-risk hazard which, if not avoided, could result in death or serious injury.
CAUTION	CAUTION This signal word indicates a hazard which, if not avoided, could result in damage to the machine and its functions.
	Explosion protection This symbol identifies information about avoiding explosions in potentially explosive atmospheres in accordance with EU Directive 2014/34/EU (ATEX).
	General hazard In conjunction with one of the signal words this symbol indicates a hazard which will or could result in death or serious injury.
	Electrical hazard In conjunction with one of the signal words this symbol indicates a hazard involving electrical voltage and identifies information about protection against electrical voltage.
	Machine damage In conjunction with the signal word CAUTION this symbol indicates a hazard for the machine and its functions.



2 Safety

All the information contained in this section refers to hazardous situations.

In addition to the present general safety information the action-related safety information given in the other sections must be observed.

2.1 General

- This operating manual contains general installation, operating and maintenance instructions that must be observed to ensure safe operation of the system and prevent personal injury and damage to property.
- Comply with all the safety instructions given in the individual sections of this operating manual.
- The operating manual must be read and understood by the responsible specialist personnel/operators prior to installation and commissioning.
- The contents of this operating manual must be available to the specialist personnel at the site at all times.
- Information and markings attached directly to the product must always be complied with and kept in a perfectly legible condition at all times. This applies to, for example:
 - Arrow indicating the direction of rotation
 - Markings for connections
 - Name plate
- The operator is responsible for ensuring compliance with all local regulations not taken into account.

2.2 Intended use

- The pump (set) must only be operated in the fields of application and within the use limits specified in the other applicable documents.
- Only operate pumps/pump sets which are in perfect technical condition.
- Do not operate the pump (set) in partially assembled condition.
- Only use the pump (set) to handle the fluids described in the data sheet or product literature of the pump model.
- Never operate the pump (set) without the fluid to be handled.
- Observe the minimum flow rate and maximum flow rate indicated in the data sheet or product literature (to prevent overheating, mechanical seal damage, cavitation damage, bearing damage, etc).
- Always operate the pump (set) in the direction of rotation it is intended for.
- Do not throttle the flow rate on the suction side of the pump (to prevent cavitation damage).
- Consult the manufacturer about any use or mode of operation not described in the data sheet or product literature.

2.3 Personnel qualification and training

All personnel involved must be fully qualified to transport, install, operate, maintain and inspect the machinery this manual refers to.

The responsibilities, competence and supervision of all personnel involved in transport, installation, operation, maintenance and inspection must be clearly defined by the operator.

Deficits in knowledge must be rectified by means of training and instruction provided by sufficiently trained specialist personnel. If required, the operator can commission the manufacturer/supplier to train the personnel.

Training on the pump (set) must always be supervised by technical specialist personnel.

2.4 Consequences and risks caused by non-compliance with this manual

- Non-compliance with these operating instructions will lead to forfeiture of warranty cover and of any and all rights to claims for damages.
- Non-compliance can, for example, have the following consequences:
 - Hazards to persons due to electrical, thermal, mechanical and chemical effects and explosions
 - Failure of important product functions
 - Failure of prescribed maintenance and servicing practices
 - Hazard to the environment due to leakage of hazardous substances

2.5 Safety awareness

In addition to the safety information contained in this operating manual and the intended use, the following safety regulations shall be complied with:

- Accident prevention, health regulations and safety regulations
- Explosion protection regulations
- Safety regulations for handling hazardous substances
- Applicable standards, directives and laws

2.6 Safety information for the operator/user

- Fit protective equipment (e.g. contact guards) supplied by the operator for hot, cold or moving parts, and check that the equipment functions properly.
- Do not remove any protective equipment (e.g. contact guards) during operation.
- Provide the personnel with protective equipment and make sure it is used.
- Contain leakages (e.g. at the shaft seal) of hazardous fluids handled (e.g. explosive, toxic, hot) so as to avoid any danger to persons and the environment. Adhere to all relevant laws.
- Eliminate all electrical hazards. (In this respect refer to the applicable national safety regulations and/or regulations issued by the local energy supply companies.)
- If stopping the pump does not increase potential risk, fit an emergency-stop control device in the immediate vicinity of the pump (set) during pump set installation.

2.7 Safety information for maintenance, inspection and installation

- Modifications or alterations of the pump (set) are only permitted with the manufacturer's prior consent.
- Use only original spare parts or parts/components authorised by the manufacturer. The use of other parts/components can invalidate any liability of the manufacturer for resulting damage.
- The operator ensures that maintenance, inspection and installation are performed by authorised, qualified specialist personnel who are thoroughly familiar with the manual.
- Only carry out work on the pump (set) during standstill of the pump.
- Only perform work on the pump set when it has been disconnected from the power supply (de-energised).
- The pump (set) must have cooled down to ambient temperature.
- Pump pressure must have been released and the pump must have been drained.

- When taking the pump set out of service always adhere to the procedure described in the manual. (⇒ Section 6.1.7, Page 42) (⇒ Section 6.3, Page 45)
- Decontaminate pumps which handle fluids posing a health hazard. (⇒ Section 7.3, Page 54)
- As soon as the work has been completed, re-install and re-activate any safety-relevant devices and protective devices. Before returning the product to service, observe all instructions on commissioning. (⇒ Section 6.1, Page 37)

2.8 Unauthorised modes of operation

Never operate the pump (set) outside the limits stated in the data sheet and in this manual.

The warranty relating to the operating reliability and safety of the supplied pump (set) is only valid if the equipment is used in accordance with its intended use. (⇒ Section 2.2, Page 9)

2.9 Explosion protection



Always observe the information on explosion protection given in this section when operating the product in potentially explosive atmospheres.

Only pumps/pump sets marked as explosion-proof **and** identified as such in the data sheet may be used in potentially explosive atmospheres.

Special conditions apply to the operation of explosion-proof pump sets to EU Directive 2014/34/EU (ATEX).

Especially adhere to the sections in this manual marked with the Ex symbol and the following sections, to (⇒ Section 2.9.4, Page 12)

The explosion-proof status is only assured if the product is used in accordance with its intended use.

Never operate the product outside the limits stated in the data sheet and on the name plate.

Prevent impermissible modes of operation at all times.

2.9.1 Marking

Pump The marking on the pump refers to the pump part only.

Example of such marking:
II 2G Ex h IIC T5-T1 Gb

Refer to the data sheet for the applicable temperature class.

The pump complies with the requirements of type of protection constructional safety "c" to ISO 80079-37.

Shaft coupling An EC manufacturer's declaration is required for the shaft coupling; the shaft coupling must be marked accordingly.

Motor The motor must be considered separately.

2.9.2 Temperature limits

In normal pump operation, the highest temperatures are to be expected at the surface of the pump casing, at the shaft seal and in the bearing areas.

The surface temperature at the pump casing corresponds to the temperature of the fluid handled. If the pump is heated, the operator of the system is responsible for observing the specified temperature class.

The surfaces in the bearing bracket area must be freely exposed to the atmosphere.

The temperature class specifies the maximum permissible temperature at the surface of the pump set during operation. For the permissible operating temperature of the pump in question and the temperature class refer to the data sheet.

If the pump is to be operated at a higher temperature, the data sheet is missing or if the pump is part of a pool of pumps, contact KSB for the maximum permissible operating temperature.

- Temperature class T5** Based on an ambient temperature of 40 °C and proper maintenance and operation, compliance with temperature class T5 is warranted in the area of the rolling element bearings. If the ambient temperature exceeds 40 °C, contact the manufacturer.
- Temperature class T6** If temperature class T6 must be complied with, special measures may be required with regard to bearing temperature.

2.9.3 Monitoring equipment

The pump (set) must only be operated within the limits specified in the data sheet and on the name plate.

If the system operator cannot warrant compliance with these operating limits, appropriate monitoring devices must be used.

Check whether monitoring equipment is required to ensure that the pump set functions properly.

Contact KSB for further information about monitoring equipment.

2.9.4 Operating limits

The minimum flow rates indicated in refer to water and water-like fluids handled. Longer operating periods with these fluids and at the flow rates indicated will not cause an additional increase in the temperatures at the pump surface. However, if the physical properties of the fluids handled are different from water, it is essential to check whether an additional heat build-up may occur and if the minimum flow rate must therefore be increased. The calculation formula in can be used to check whether additional heat build-up may lead to a dangerous temperature increase at the pump surface.

3 Transport/Storage/Disposal

3.1 Checking the condition upon delivery

1. On transfer of goods, check each packaging unit for damage.
2. In the event of in-transit damage, assess the exact damage, document it and notify KSB or the supplying dealer and the insurer about the damage in writing immediately.

3.2 Transport

	DANGER
	<p>The pump (set) could slip out of the suspension arrangement Danger to life from falling parts!</p> <ul style="list-style-type: none"> ▷ Always transport the pump (set) in the specified position. ▷ Never attach the suspension arrangement to the free shaft end or the motor eyebolt. ▷ Observe the information about weights, centre of gravity and fastening points. ▷ Observe the applicable local accident prevention regulations. ▷ Use suitable, permitted lifting accessories, e.g. self-tightening lifting tongs.

To transport the pump/pump set or back pull-out unit suspend it from the lifting tackle as shown.

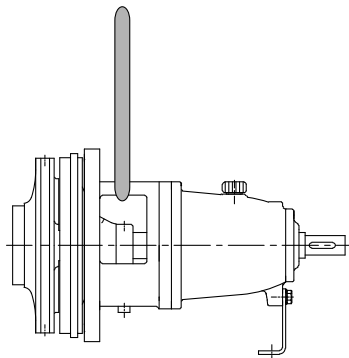


Fig. 1: Transporting the back pull-out unit

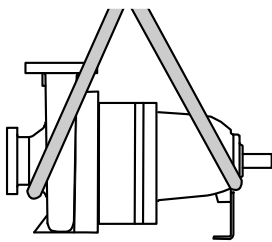


Fig. 2: Transporting the pump

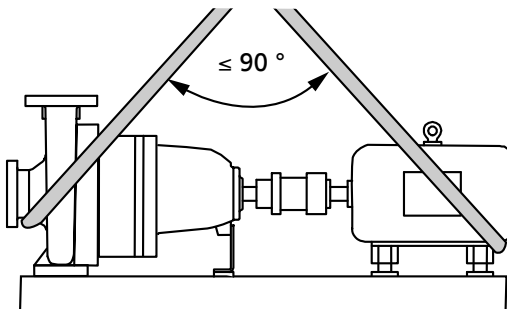


Fig. 3: Transporting the pump set

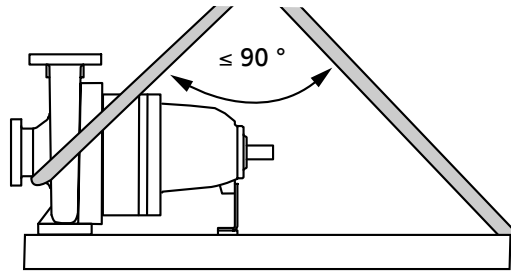


Fig. 4: Transporting the pump on the baseplate

3.3 Storage/preservation

	CAUTION
	<p>Damage during storage due to humidity, dirt or vermin Corrosion/contamination of the pump (set)!</p> <ul style="list-style-type: none"> ▷ For outdoor storage cover the pump (set) or the packaged pump (set) and accessories with waterproof material.
	CAUTION
	<p>Wet, contaminated or damaged openings and connections Leakage or damage to the pump!</p> <ul style="list-style-type: none"> ▷ Clean and cover pump openings and connections as required prior to putting the pump into storage.

If commissioning is to take place some time after delivery, we recommend that the following measures be taken for pump (set) storage.

- Store the pump (set) in a dry, protected room where the atmospheric humidity is as constant as possible.
- Rotate the shaft by hand once a month, e.g. via the motor fan.

If properly stored indoors, the pump set is protected for a maximum of 12 months. New pumps/pump sets are supplied by our factory duly prepared for storage.



For storing a pump (set) which has already been operated, the shutdown measures must be adhered to. (⇒ Section 6.3.1, Page 45)

3.4 Return to supplier

1. Drain the pump as per operating instructions. (⇒ Section 7.3, Page 54)
2. Flush and clean the pump, particularly if it has been used for handling noxious, explosive, hot or other hazardous fluids.
3. If the pump has handled fluids whose residues could lead to corrosion damage in the presence of atmospheric humidity or could ignite upon contact with oxygen also neutralise the pump and blow through with anhydrous inert gas to ensure drying.
4. Always complete and enclose a certificate of decontamination when returning the pump.
Indicate any safety measures and decontamination measures taken.

	NOTE
	<p>If required, a blank certificate of decontamination can be downloaded from the following web site: www.ksb.com/certificate_of_decontamination</p>

3.5 Disposal

	 WARNING
	<p>Fluids handled, consumables and supplies which are hot and/or pose a health hazard</p> <p>Hazard to persons and the environment!</p> <ul style="list-style-type: none">▷ Collect and properly dispose of flushing fluid and any fluid residues.▷ Wear safety clothing and a protective mask if required.▷ Observe all legal regulations on the disposal of fluids posing a health hazard.

1. Dismantle the pump (set).
Collect greases and other lubricants during dismantling.
2. Separate and sort the pump materials, e.g. by:
 - Metals
 - Plastics
 - Electronic waste
 - Greases and other lubricants
3. Dispose of materials in accordance with local regulations or in another controlled manner.

4 Description of the Pump (Set)

4.1 General description

- Standardised water pump with shaft seal
- Handling clean or aggressive fluids not chemically and mechanically aggressive to the pump materials.

4.2 Product information

4.2.1 Product Information as per Regulation No. 547/2012 (for water pumps with a maximum shaft power of 150 kW) implementing "Ecodesign" Directive 2009/125/EC

- Minimum efficiency index: see name plate, key to name plate
- The benchmark for the most efficient water pumps is $MEI \geq 0.70$.
- Year of construction: see name plate, key to name plate
- Manufacturer's name or trade mark, commercial registration number and place of manufacture: see data sheet or order documentation
- Product's type and size identifier: see name plate, key to name plate
- Hydraulic pump efficiency (%) with trimmed impeller: see data sheet
- Pump performance curves, including efficiency characteristics: see documented characteristic curve
- The efficiency of a pump with a trimmed impeller is usually lower than that of a pump with full impeller diameter. Trimming of the impeller will adapt the pump to a fixed duty point, leading to reduced energy consumption. The minimum efficiency index (MEI) is based on the full impeller diameter.
- Operation of this water pump with variable duty points may be more efficient and economic when controlled, for example, by the use of a variable speed drive that matches the pump duty to the system.
- Information on dismantling, recycling and disposal after decommissioning: (⇒ Section 3.5, Page 15)
- Information on benchmark efficiency or benchmark efficiency graph for $MEI = 0.70$ (0.40) for the pump based on the model shown in the Figure are available at: <http://www.europump.org/efficiencycharts>

4.2.2 Product information as per Regulation No. 1907/2006 (REACH)

For information as per chemicals Regulation (EC) No. 1907/2006 (REACH), see <https://www.ksb.com/ksb-en/About-KSB/Corporate-responsibility/reach/>.

4.3 Designation

Table 4: 2nd designation example

Position																															
1	2	3	4	5	6	7	8	9	10	11	12	13	14	15	16	17	18	19	20	21	22	23	24	25	26	27	28	29	30	31	32
E	T	N		0	5	0	-	0	3	2	-	1	2	5		G	G	S	A	S	1	1	G	S	E	J	V	2	E	L	B
See name plate and data sheet																								See data sheet							

Table 5: Designation key

Position	Code	Description
1-4	Pump type	
	ETN	Etanorm
	ETNE	Etanorm complementary sizes
	ETNF	Etanorm fire-fighting pump
5-16	Size [mm], e.g.	
	050	Nominal suction nozzle diameter

Position	Code	Description
5-16	032	Nominal discharge nozzle diameter
	125	Nominal impeller diameter
17	Pump casing material	
	B	Bronze CC480K-GS / B30 C90700
	C	Stainless steel 1.4408 / A743CF8M
	G	Cast iron EN-GJL-250 / A48CL35
	S	Nodular cast iron EN-GJS-400-15 / A536 Gr. 60-40-18
	P	Cast iron without protective coating EN-GJL-250 without protective coating
18	Impeller material	
	B	Bronze CC480K-GS / B30 C90700
	C	Stainless steel 1.4408 / A743CF8M
	G	Cast iron EN-GJL-250 / A48CL35
	O	Cast steel 1.4008 / A743 Gr. CA15
	P	Cast iron without protective coating EN-GJL-250 without protective coating
19	Version	
	A	Fire-fighting variant to APSAD
	E	Design as per European Regulation (EC) No. 1935/2004
	H	Approved for drinking water to ACS
	K	Approved for drinking water to KSB standard
	L	Fire-fighting variant UL
	M	Fire-fighting variant to FM
	N	Fire-fighting variant, non-listed
	S	Standard
	U	Approved for drinking water to UBA
	V	Fire-fighting variant to VDS
W	Approved for drinking water to WRAS	
20	Casing cover connections	
	A	Conical casing cover without connection
	D	Conical casing cover with connection for external flushing
	E	Conical casing cover with connection for external flushing from discharge nozzle
	F	Cylindrical casing cover for version with gland packing without connection
	G	Cylindrical casing cover for version with gland packing with external barrier fluid or external flushing
	H	Cylindrical casing cover for model with double mechanical seal in tandem arrangement with connection for quench system
	I	Cylindrical casing cover for model with double mechanical seal in back-to-back arrangement with connection for barrier fluid system

Position	Code	Description	
20	L	Cylindrical casing cover for version with gland packing or single mechanical seal, prepared for internal circulation	
21	Shaft seal type		
	A	Single mechanical seal, conical casing cover	
	C	Internal circulation with cylindrical casing cover	
	D	Double mechanical seal in back-to-back arrangement	
	E	Single mechanical seal, external circulation, conical casing cover	
	F	Single mechanical seal, external flushing, conical casing cover	
	G	Internal circulation with cylindrical casing cover for cartridge seal	
	I	Single mechanical seal, internal circulation, conical casing cover	
	T	Double mechanical seal in tandem arrangement with internal circulation	
	1	Gland packing with internal barrier fluid (Na)	
	2	Gland packing without barrier fluid (Nb)	
	3	Gland packing with external barrier fluid (Nc)	
	4	Gland packing with external flushing liquid (VSH)	
22-23	Seal code of gland packing		
	1A	P1, with internal barrier fluid (Na), material RT/P (for hot water of up to 120 °C)	
	1B	P2, without barrier fluid (Nb), material RT/P (for hot water of up to 120 °C)	
	1C	P3, with external barrier fluid (Nc), material RT/P (for hot water of up to 110 °C)	
	1D	P4, with external flushing liquid (VSH), material RT/P (for hot water of up to 110 °C)	
	3B	P2, without barrier fluid (Nb), material BUP901/B5 (for hot water of up to 140 °C)	
	4A	P1, with internal barrier fluid (Na), material BU5426 (for drinking water to ACS, for example)	
	4B	P2, without barrier fluid (Nb), material BU5426 (for drinking water to ACS, for example)	
	5A	P1, with internal barrier fluid (Na), material HE1727 (surface treatment technology)	
	5B	P2, without barrier fluid (Nb), material HE1727 (surface treatment technology)	
	Seal code, single mechanical seal		
	01	Q1Q1VGG	1 (ZN1181) ≥ -20 - ≤ +110 [°C]
	06	U3BEGG	RMG13G606 ≥ -30 - ≤ +140 [°C]
	07	Q1Q1EGG	1A (ZN1181) ≥ -30 - ≤ +110 [°C]
	08	AQ1VGG	M32N69 ≥ -30 - ≤ +110 [°C]
	09	U3U3VGG	MG13G60 ≥ -20 - ≤ +110 [°C]
	10	Q1Q1X4GG	1 (ZN1181) ≥ -20 - ≤ +110 [°C]
	11	BQ1EGG-WA	1 (ZN1181) ≥ -30 - ≤ +110 [°C]
	12	Q12Q1M1GG1	M37GN83 ≥ -20 - ≤ +100 [°C]
	13	BQ1VGG	1 (ZN1181) ≥ -20 - ≤ +110 [°C]
	14	Q1Q1KY7G	KMB13S2G9 ≥ -20 - ≤ +120 [°C]
	15	Q1Q1KGG	M7G49 ≥ -20 - ≤ +110 [°C]
16	BVPPGG	MG1S20 ≥ -20 - ≤ +110 [°C]	
17	Q1BVGG	M7N / 5A ≥ -20 - ≤ +110 [°C]	
22	AQ1EGG	M32N69 ≥ -30 - ≤ +140 [°C]	
31	BQ7EGG/Y10-WA	EMG12G6 ≥ -30 - ≤ +120 [°C]	
32	Q7Q7EGG/Y10-WA	EMG12G6 ≥ -30 - ≤ +80 [°C]	

Position	Code	Description			
22-23	40	U2U2VGG	4M	$\geq -5 - \leq +150$ [°C]	
	41	Q1Q1U2GG	5A	$\geq -20 - \leq +150$ [°C]	
	42	A2Q1TGG	59U	$\geq -20 - \leq +180$ [°C]	
	43	Q1Q1TGG	59U	$\geq -20 - \leq +180$ [°C]	
	44	BQ1E4GG	4M	$\geq -35 - \leq +120$ [°C]	
	45	BQ7E1/Y10GG	EMG13G6	$\geq -30 - \leq +110$ [°C]	
	46	Q7Q7E1/Y10GG	EMG13G6	$\geq -30 - \leq +110$ [°C]	
	47	BQ1U1MG	5KSCB2S	$\geq -5 - \leq +120$ [°C]	
	48	Q1Q1U1MG	5KSCB2S	$\geq -5 - \leq +180$ [°C]	
	50	Q7Q7VGG/Y10	EMG12G6	$\geq -30 - \leq +85$ [°C]	
	51	BQ7V16GG/Y10	EMG13G6	$\geq -14 - \leq +120$ [°C]	
	52	Q7Q7V16GG/Y10	EMG13G6	$\geq -14 - \leq +120$ [°C]	
	66	Q7Q7EGG	MG13G6	$\geq -30 - \leq +120$ [°C]	
	67	Q6Q6X4GG	MG13G60 / MG1G61S6	$\geq -20 - \leq +110$ [°C]	
	Seal code, double mechanical seal in tandem arrangement				
	18	Q1Q1EGG/G	MG12G6-E1	$\geq -30 - \leq +110$ [°C]	
		Q1Q1EGG-G	MG12G6-E1	$\geq -30 - \leq +110$ [°C]	
	20	Q12Q1M1GG1	M37GN85	$\geq -20 - \leq +110$ [°C]	
		Q1Q1EGG-G	MG12G6-E1	$\geq -20 - \leq +110$ [°C]	
	23	Q12Q1M1GG1	M37GN92	$\geq -20 - \leq +110$ [°C]	
		Q1Q1EGG-G	MG12G6-E1	$\geq -20 - \leq +110$ [°C]	
	Seal code, double mechanical seal in back-to-back arrangement				
	21	Q1Q1KGG	M7G49	$\geq -20 - \leq +110$ [°C]	
Q1Q1KGG		M7G49	$\geq -20 - \leq +110$ [°C]		
24	Q1Q1KGG	M7G49	$\geq -20 - \leq +110$ [°C]		
	Q1BVGG	M7N	$\geq -20 - \leq +110$ [°C]		
24	Bearing bracket				
	G	Grease lubrication			
	O	Oil lubrication			
25	Order type				
	S	KSB standard			
	C	Extended standard			
	X	Special design			
26	Bearing bracket / Shaft unit				
	E	Shaft unit 25			
	F	Shaft unit 35			
	G	Shaft unit 50			
	H	Shaft unit 55			
	I	Shaft unit 60			
	J	Shaft unit 60.1			
	K	Shaft unit 65			
	L	Shaft unit 65.1			
	M	Shaft unit 65.2			
	N	Shaft unit 85			
	O	Shaft unit 85.1			
	P	Shaft unit 85.2			
27-28	Motor rating P _N [kW]				
	AJ	0,37			
			

Position	Code	Description
27-28	OU	725
29	Number of motor poles	
	2	2 poles
	4	4 poles
	6	6 poles
30	Scope of supply	
	A	Bare-shaft pump
	B	Bare-shaft pump, baseplate
	C	Pump, baseplate
	D	Pump, baseplate, coupling, coupling guard
	E	Pump, baseplate, coupling, coupling guard, motor
	F	Pump, baseplate, coupling
	G	Back pull-out unit
31	Accessories / Automation	
	A	KSB PumpDrive 2
	B	KSB PumpMeter
	C	KSB PumpDrive 2 + KSB PumpMeter
	D	IFS
	E	KSB Guard
	F	Han-Drive 10E
	G	Han-Drive 10E + KSB PumpMeter
	H	None
	I	ATEX
	J	KSB PumpDrive 2 + KSB Guard
	K	KSB PumpMeter 2 + KSB Guard
	L	KSB PumpDrive 2 + KSB PumpMeter + KSB Guard
	32	Product generation
B		Generation B

4.4 Name plate

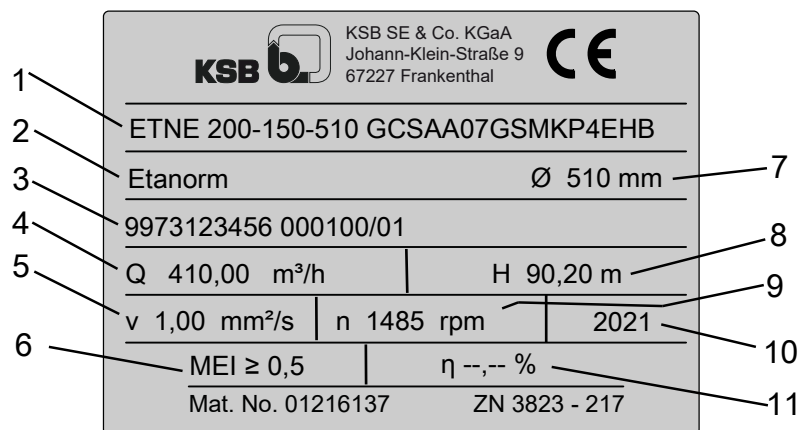


Fig. 5: Name plate (example) Etanorm

1	Type series code, size and version	2	Type series
3	KSB order No., order item No. and consecutive No.	4	Flow rate

5	Kinematic viscosity of the fluid handled	6	Minimum efficiency index
7	Impeller diameter	8	Head
9	Speed	10	Year of construction
11	Efficiency (see data sheet)		

4.5 Design details

Design

- Volute casing pump
- Horizontal installation
- Back pull-out design
- Single-stage

Pump casing

- Radially split volute casing
- Volute casing with integrally cast pump feet
- Replaceable casing wear rings

Impeller type

- Closed radial impeller with multiply curved vanes

Bearings

- Standard bearings
 - Floating bearings: deep groove ball bearings
- Bearings with bearing pedestal
 - Floating bearings: deep groove ball bearings

Shaft seal

- Gland packing
- KSB single mechanical seal
- KSB cartridge seal
- Single mechanical seals and double mechanical seals to EN 12756
- Shaft equipped with replaceable shaft sleeve in the shaft seal area

Example: WS65

Table 6: Bearing bracket designation

Designation	Description
WS	Bearing bracket, standardised water pump
65	Size code (based on dimensions of seal chamber and shaft end)

Bearings used:

Table 7: Standard bearing assembly

Version	Bearing bracket	Rolling element bearings	
		Pump end	Drive end
Standard bearing assembly (grease lubrication)	WA65	6313 2Z C3	6313 2Z C3
	WA85	6317 2Z C3	6317 2Z C3
Standard bearing assembly (oil lubrication)	WA65	6313 C3	6313 C3
	WA85	6317 C3	6317 C3

Lubrication:

- Grease lubrication
- Oil lubrication

4.6 Configuration and function

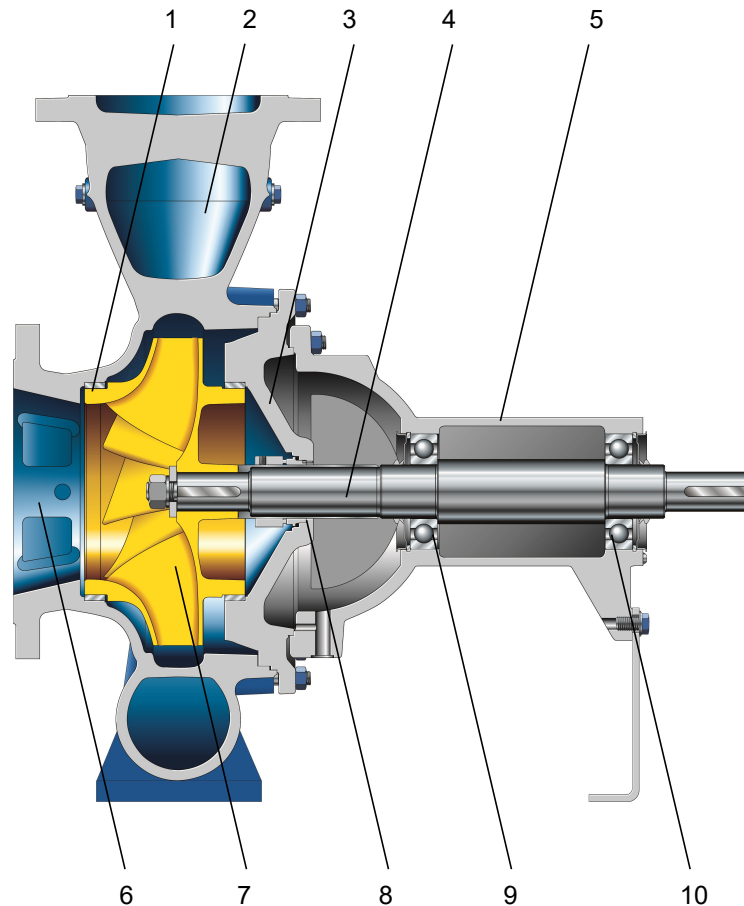


Fig. 6: Sectional drawing

1	Clearance gap	2	Discharge nozzle
3	Casing cover	4	Shaft
5	Bearing bracket	6	Suction nozzle
7	Impeller	8	Shaft seal
9	Rolling element bearing, pump end	10	Rolling element bearing, motor end

Design The pump is designed with an axial fluid inlet and a radial outlet. The hydraulic system runs in its own bearings and is connected to the motor by a shaft coupling.

Function The fluid enters the pump axially via the suction nozzle (6) and is accelerated outward by the rotating impeller (7). In the flow passage of the pump casing the kinetic energy of the fluid is converted into pressure energy. The fluid is pumped to the discharge nozzle (2), where it leaves the pump. The clearance gap (1) prevents any fluid from flowing back from the casing to the suction nozzle. At the rear side of the impeller, the shaft (4) enters the casing via the casing cover (3). The shaft passage through the cover is sealed to atmosphere with a shaft seal (8). The shaft runs in rolling element bearings (9 and 10), which are supported by a bearing bracket (5) linked with the pump casing and/or casing cover.

Sealing The pump is sealed by a shaft seal (standardised mechanical seal or gland packing).

4.7 Noise characteristics

Table 8: Surface sound pressure level $L_{pA}^{2)3)}$

Rated power input P_N [kW]	Pump		Pump set	
	960 rpm [dB]	1450 rpm [dB]	960 rpm [dB]	1450 rpm [dB]
0,55	46	47	54	55
0,75	48	48	55	56
1,1	49	50	56	57
1,5	51	52	56	58
2,2	53	54	58	59
3	54	55	59	60
4	56	57	60	61
5,5	58	59	61	62
7,5	59	60	63	64
11	61	62	64	65
15	63	64	66	67
18,5	64	65	67	68
22	65	66	68	69
30	66	67	69	70
37	67	68	70	71
45	68	69	71	73
55	69	70	72	74
75	71	72	73	75
90	71	73	73	76
110	72	74	74	77
132	73	76	75	77
160	74	77	75	78
200	75	77	76	80
250	-	78	-	81
345	-	79	-	82
400	-	79	-	82

4.8 Dimensions and weights

For dimensions and weights please refer to the general arrangement drawing/outline drawing of the pump/pump set.

4.9 Scope of supply

Depending on the model, the following items are included in the scope of supply:

- Pump
- Baseplate
- Coupling
- Coupling guard
- Drive
- Supply system for double mechanical seal

² Surface sound pressure level as per ISO 3744 and DIN EN ISO 20361 ; valid for a pump operating range of $Q/Q_{BEP} = 0.8 - 1.1$ and non-cavitating operation. If noise levels are to be guaranteed: Add +3 dB for measuring and constructional tolerance.

³ Increase for 60 Hz operation: 3500 rpm +3 dB; 1750 rpm +1 dB; 1160 rpm ± 0 dB

5 Installation at Site

5.1 Safety regulations

	<p>⚠ DANGER</p> <p>Excessive temperatures in the shaft seal area Explosion hazard!</p> <ul style="list-style-type: none"> ▸ Never operate a pump (set) with gland packing in potentially explosive atmospheres.
	<p>NOTE</p> <p>Operating pump sets with gland packings in combination with a frequency inverter / variable speed system is not recommended.</p>

5.2 Checks to be carried out prior to installation

Place of installation

	<p>⚠ WARNING</p> <p>Installation on a mounting surface which is unsecured and cannot support the load Personal injury and damage to property!</p> <ul style="list-style-type: none"> ▸ Use a concrete of compressive strength class C12/15 which meets the requirements of exposure class XC1 to EN 206-1. ▸ The mounting surface must be set, flat, and level. ▸ Observe the weights indicated.
--	---

1. Check the structural requirements.
All structural work required must have been prepared in accordance with the dimensions stated in the outline drawing/general arrangement drawing.

5.3 Installing the pump set

Always install the pump set in a horizontal position.

	<p>⚠ DANGER</p> <p>Excessive temperatures due to improper installation Explosion hazard!</p> <ul style="list-style-type: none"> ▸ Install the pump in a horizontal position to ensure self-venting of the pump.
	<p>⚠ DANGER</p> <p>Electrostatic charging due to insufficient potential equalisation Explosion hazard!</p> <ul style="list-style-type: none"> ▸ Make sure that the connection between pump and baseplate is electrically conductive.

5.3.1 Installation on the foundation

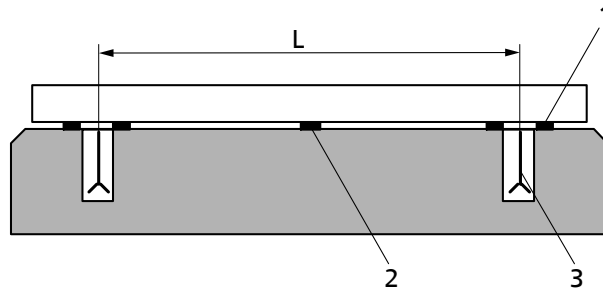


Fig. 7: Fitting the shims

L	Bolt-to-bolt distance	1	Shim
2	Shim if (L) > 800 mm	3	Foundation bolt

- ✓ The foundation has the required strength and characteristics.
 - ✓ The foundation has been prepared in accordance with the dimensions given in the outline drawing/general arrangement drawing.
1. Position the pump set on the foundation and level it with the help of a spirit level placed on the shaft and discharge nozzle.
Permissible deviation: 0.2 mm/m
 2. Use shims (1) for height compensation, if necessary.
Always fit shims, if any, immediately to the left and right of the foundation bolts (3) between the baseplate/foundation frame and the foundation.
For a bolt-to-bolt distance (L) > 800 mm fit additional shims (2) halfway between the bolt holes.
All shims must lie perfectly flush.
 3. Insert the foundation bolts (3) into the holes provided.
 4. Use concrete to set the foundation bolts (3) into the foundation.
 5. Wait until the concrete has set firmly, then level the baseplate.
 6. Tighten the foundation bolts (3) evenly and firmly.

	<p>NOTE</p> <p>For optimum smooth running, baseplates should be grouted with low-shrinkage concrete in the following cases:</p> <ul style="list-style-type: none"> - For all vibration-critical applications - Baseplates with a width > 400 mm - Baseplates made of grey cast iron
	<p>NOTE</p> <p>For low-noise operation contact the manufacturer to check whether the pump set can be installed on anti-vibration mounts.</p>
	<p>NOTE</p> <p>Expansion joints can be fitted between the pump and the suction line or discharge line.</p>

5.3.2 Installation without foundation

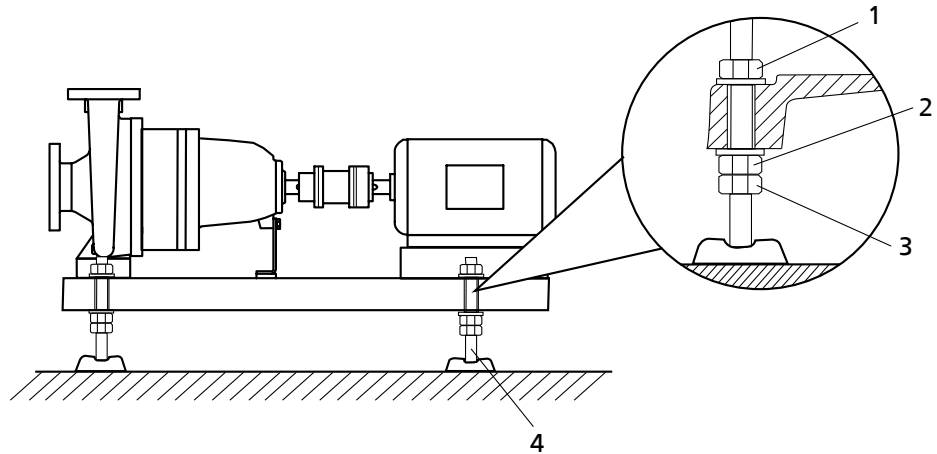


Fig. 8: Adjusting the levelling elements

1, 3	Locknut	2	Adjusting nut
4	Machine mount		


- ✓ The installation surface has the required strength and characteristics.
 1. Position the pump set on the machine mounts (4) and align it with the help of a spirit level (on the shaft/discharge nozzle).
 2. To adjust any differences in height, loosen the locknuts (1, 3) of the machine mounts (4).
 3. Turn the adjusting nut (2) until any differences in height have been compensated.
 4. Re-tighten the locknuts (1, 3) at the machine mounts (4).

5.4 Piping


5.4.1 Connecting the piping

	<p>! DANGER</p> <p>Impermissible loads acting on the pump nozzles Danger to life from escaping hot, toxic, corrosive or flammable fluids!</p> <ul style="list-style-type: none"> ▷ Do not use the pump as an anchorage point for the piping. ▷ Anchor the pipes in close proximity to the pump and connect them properly without transmitting any stresses or strains. ▷ Observe the permissible forces and moments at the pump nozzles. ▷ Take appropriate measures to compensate for thermal expansion of the piping.
	<p>CAUTION</p> <p>Incorrect earthing during welding work at the piping Destruction of rolling element bearings (pitting effect)!</p> <ul style="list-style-type: none"> ▷ Never earth the electric welding equipment on the pump or baseplate. ▷ Prevent current flowing through the rolling element bearings.

1309.8/02-EN

	NOTE
	<p>Installing check and shut-off elements in the system is recommended, depending on the type of plant and pump. However, such elements must not obstruct proper drainage or hinder disassembly of the pump.</p>

- ✓ Suction lift lines have been laid with a rising slope, suction head lines with a downward slope towards the pump.
- ✓ A flow stabilisation section having a length equivalent to at least twice the diameter of the suction flange has been provided upstream of the suction flange.
- ✓ The nominal diameters of the pipelines are at least equal to the nominal diameters of the pump nozzles.
- ✓ Adapters to larger diameters have a diffuser angle of approximately 8° to prevent excessive pressure losses.
- ✓ The pipelines have been anchored in close proximity to the pump and connected without transmitting any stresses or strains.

	CAUTION
	<p>Welding beads, scale and other impurities in the piping Damage to the pump!</p> <ul style="list-style-type: none"> ▷ Remove any impurities from the piping. ▷ If necessary, install a filter. ▷ Observe the information in (⇒ Section 7.2.2.3, Page 50) .

1. Thoroughly clean, flush and blow through all vessels, pipelines and connections (especially of new installations).
2. Before installing the pump in the piping, remove the flange covers on the suction and discharge nozzles of the pump.
3. Check that the inside of the pump is free from any foreign objects. Remove any foreign objects.
4. If required, install a filter in the piping (see figure: Filter in the piping).

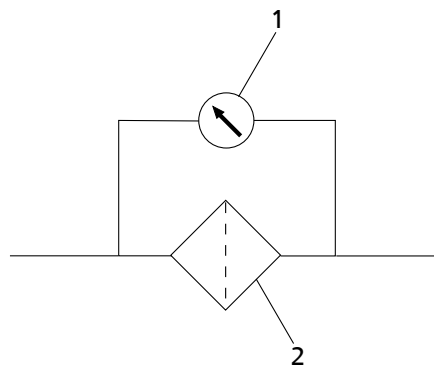



Fig. 9: Filter in the piping

1	Differential pressure gauge	2	Filter
---	-----------------------------	---	--------

	NOTE
	<p>Use a filter with laid-in wire mesh (mesh width 0.5 mm, wire diameter 0.25 mm) of corrosion-resistant material. Use a filter with a filter area three times the cross-section of the piping. Conical filters have proved suitable.</p>

5. Connect the pump nozzles to the piping.

	CAUTION
	<p>Aggressive flushing liquid and pickling agent Damage to the pump!</p> <p>▷ Match the cleaning operation mode and duration of flushing and pickling to the casing materials and seal materials used.</p>

5.4.2 Permissible forces and moments at the pump nozzles

The data on forces and moments apply to static pipelines only. The values are only applicable if the pump is installed on a baseplate and bolted to a rigid and level foundation.

Correction coefficients depending on material and temperature (⇒ Fig. 11) .

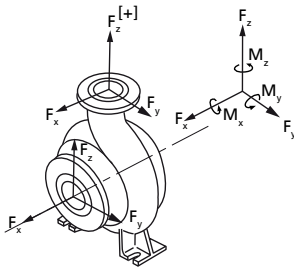


Fig. 10: Forces and moments at the pump nozzles

Table 9: Forces and moments at the pump nozzles for pump casing material G (JL1040/ A48 Cl. 35B)

Size	Suction nozzle								Discharge nozzle							
	DN	Fx	Fy	Fz	ΣF	Mx	My	Mz	DN	Fx	Fy	Fz	ΣF	Mx	My	Mz
		[N]	[N]	[N]	[N]	[Nm]	[Nm]	[Nm]		[N]	[N]	[N]	[N]	[Nm]	[Nm]	[Nm]
150-125-510	150	1750	1600	1400	2754	880	610	720	125	1250	1120	1400	2186	740	530	670
200-150-510	200	2350	2100	1900	3680	1150	800	930	150	1600	1400	1750	2754	880	610	720
200-200-250	200	2350	2100	1900	3680	1150	800	930	200	2100	1900	2350	5245	1150	800	930
250-200-275	250	3340	2980	2700	5227	1780	1260	1460	200	2100	1900	2350	3600	1150	800	930
250-200-320	250	3340	2980	2700	5227	1780	1260	1460	200	2100	1900	2350	3600	1150	800	930
250-200-375	250	3340	2980	2700	5227	1780	1260	1460	200	2100	1900	2350	3600	1150	800	930
250-200-435	250	3340	2980	2700	5227	1780	1260	1460	200	2100	1900	2350	3600	1150	800	930
250-200-510	250	3340	2980	2700	5227	1780	1260	1460	250	2980	2700	3350	5227	1780	1260	1460
300-250-295	300	4000	3580	3220	6260	2420	1720	1980	250	2980	2700	3350	5227	1780	1260	1460
300-250-295.1	300	4000	3580	3220	6260	2420	1720	1980	250	2980	2700	3350	5227	1780	1260	1460
300-250-320	300	4000	3580	3220	6260	2420	1720	1980	250	2980	2700	3350	5227	1780	1260	1460
300-250-375	300	4000	3580	3220	6260	2420	1720	1980	250	2980	2700	3350	5227	1780	1260	1460
300-250-435	300	4000	3580	3220	6260	2420	1720	1980	250	2980	2700	3350	5227	1780	1260	1460
300-250-510	300	4000	3580	3220	6260	2420	1720	1980	250	2980	2700	3350	5227	1780	1260	1460
350-300-350	350	4660	4180	3760	7302	3100	2200	2540	300	3580	3220	4000	6260	2420	1720	1980
350-300-350.1	350	4660	4180	3760	7302	3100	2200	2540	300	3580	3220	4000	6260	2420	1720	1980
350-300-375	350	4660	4180	3760	7302	3100	2200	2540	300	3580	3220	4000	6260	2420	1720	1980
350-300-435	350	4660	4180	3760	7302	3100	2200	2540	300	3580	3220	4000	6260	2420	1720	1980
350-300-510	350	4660	4180	3760	7302	3100	2200	2540	300	3580	3220	4000	6260	2420	1720	1980

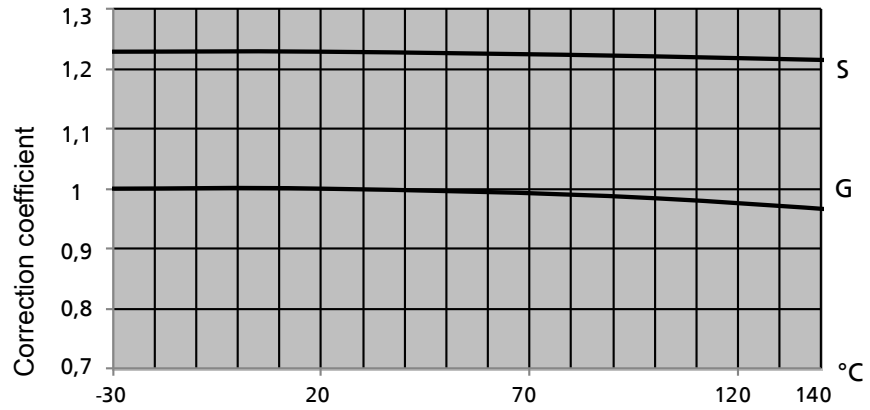


Fig. 11: Temperature/material correction diagram for pump casing materials G (EN-GJL-250/ A48 Cl. 35B), S (EN-GJS-400-15/ A536 Gr. 60-40-18)

5.4.3 Vacuum balance line



NOTE

Where fluid has to be pumped out of a vessel under vacuum, installing a vacuum balance line is recommended.

The following rules apply to vacuum balance lines:

- Minimum nominal line diameter 25 mm.
- The line extends above the highest permissible fluid level in the vessel.

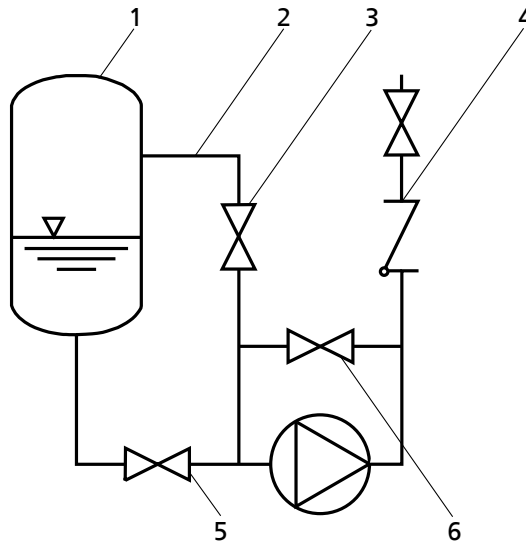



Fig. 12: Vacuum balance system

1	Vessel under vacuum	2	Vacuum balance line
3	Shut-off element	4	Swing check valve
5	Main shut-off element	6	Vacuum-tight shut-off element





NOTE





An additional line fitted with a shut-off valve (from the pump discharge nozzle to the balance line) facilitates venting of the pump before start-up.

1309.8/02-EN

5.4.4 Auxiliary connections


	<p>⚠ DANGER</p> <p>Risk of potentially explosive atmosphere by incompatible fluids mixing in the auxiliary piping Risk of burns! Explosion hazard!</p> <ul style="list-style-type: none"> ▷ Make sure that the barrier fluid or quench liquid are compatible with the fluid handled.
	<p>⚠ WARNING</p> <p>Failure to use or incorrect use of auxiliary connections (e.g. barrier fluid, flushing liquid, etc.) Risk of injury from escaping fluid! Risk of burns! Malfunction of the pump!</p> <ul style="list-style-type: none"> ▷ Refer to the general arrangement drawing, the piping layout and pump markings (if any) for the quantity, dimensions and locations of auxiliary connections. ▷ Use the auxiliary connections provided.


5.5 Enclosure/insulation

	<p>⚠ DANGER</p> <p>Risk of potentially explosive atmosphere due to insufficient venting Explosion hazard!</p> <ul style="list-style-type: none"> ▷ Make sure the space between the casing cover/discharge cover and the bearing cover is sufficiently vented. ▷ Never close or cover the perforation of the bearing bracket guards (e.g. by insulation).
	<p>⚠ WARNING</p> <p>The volute casing and casing/discharge cover take on the same temperature as the fluid handled Risk of burns!</p> <ul style="list-style-type: none"> ▷ Insulate the volute casing. ▷ Fit protective equipment.
	<p>CAUTION</p> <p>Heat build-up in the bearing bracket Damage to the bearing!</p> <ul style="list-style-type: none"> ▷ Never insulate the bearing bracket, bearing bracket lantern and casing cover.
	<p>NOTE</p> <p>Pump casings handling fluids at temperatures below freezing point may be insulated at the site, subject to the manufacturer's prior approval.</p>

1309.8/02-EN

5.6 Checking the coupling alignment

	<p>⚠ DANGER</p>
<p>Inadmissible temperatures at the coupling or bearings due to misalignment of the coupling Explosion hazard! Risk of burns!</p> <p>▷ Make sure that the coupling is correctly aligned at all times.</p>	

	<p>CAUTION</p>
<p>Misalignment of pump and motor shafts Damage to pump, motor and coupling!</p> <p>▷ Always check the coupling after the pump has been installed and connected to the piping.</p> <p>▷ Also check the coupling of pump sets supplied with pump and motor mounted on the same baseplate.</p>	

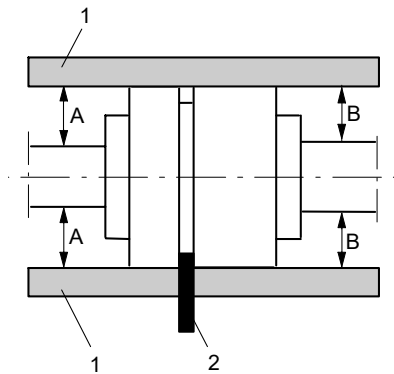


Fig. 13: Non-spacer-type coupling, checking the coupling alignment

1	Straight edge	2	Gauge
---	---------------	---	-------

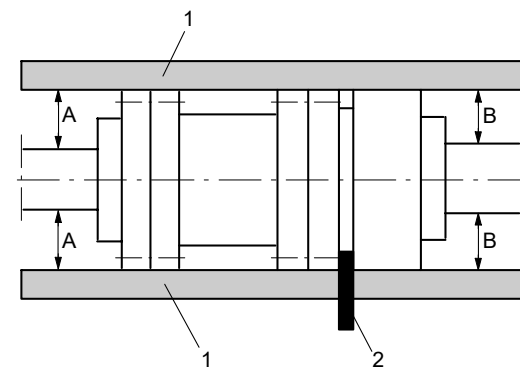


Fig. 14: Spacer-type coupling, checking the coupling alignment

1	Straight edge	2	Gauge
---	---------------	---	-------

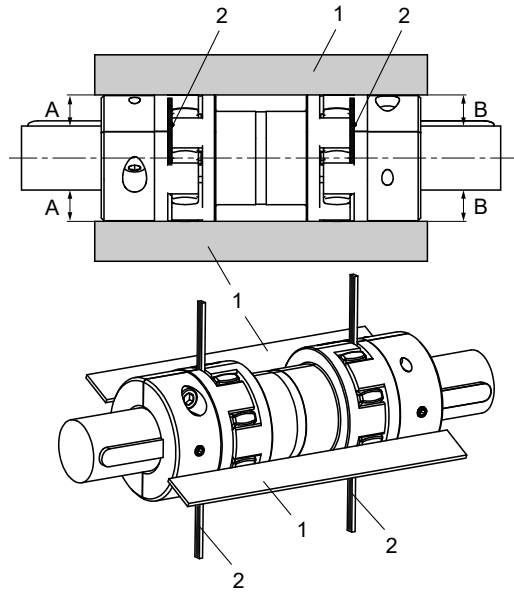


Fig. 15: Double Cardan spacer-type coupling, checking the coupling alignment

1	Straight edge	2	Gauge
---	---------------	---	-------

Table 10: Permissible alignment offset of coupling halves

Coupling type	Radial offset	Axial offset
	[mm]	[mm]
Non-spacer-type coupling (⇒ Fig. 13)	≤ 0,1	≤ 0,1
Spacer-type coupling (⇒ Fig. 14)	≤ 0,1	≤ 0,1
Double Cardan coupling (⇒ Fig. 15)	≤ 0,5	≤ 0,5

- ✓ The coupling guard and its footboard, if any, have been removed.
 1. Loosen the support foot and re-tighten it without transmitting any stresses and strains.
 2. Place the straight edge axially on both coupling halves.
 3. Leave the straight edge in this position and turn the coupling by hand.
The coupling is aligned correctly if the distances A and B to the respective shafts are the same at all points around the circumference.
Observe the permissible radial offset in coupling half alignment (⇒ Table 10) both during standstill and at operating temperature as well as under inlet pressure.
 4. Check the distance (dimension see general arrangement drawing) between the two coupling halves around the circumference.
The coupling is correctly aligned if the distance between the two coupling halves is the same at all points around the circumference.
Observe the permissible axial offset in coupling half alignment (⇒ Table 10) both during standstill and at operating temperature as well as under inlet pressure.
 5. If alignment is correct, re-install the coupling guard and its footboard, if any.

Checking the coupling alignment with a laser tool

Coupling alignment may also be checked with a laser tool. Observe the documentation provided by the manufacturer of the measuring instrument.

5.7 Aligning the pump and motor

After having installed the pump set and connected the piping, check the coupling alignment and, if required, re-align the pump set (at the motor).

5.7.1 Motors with adjusting screw

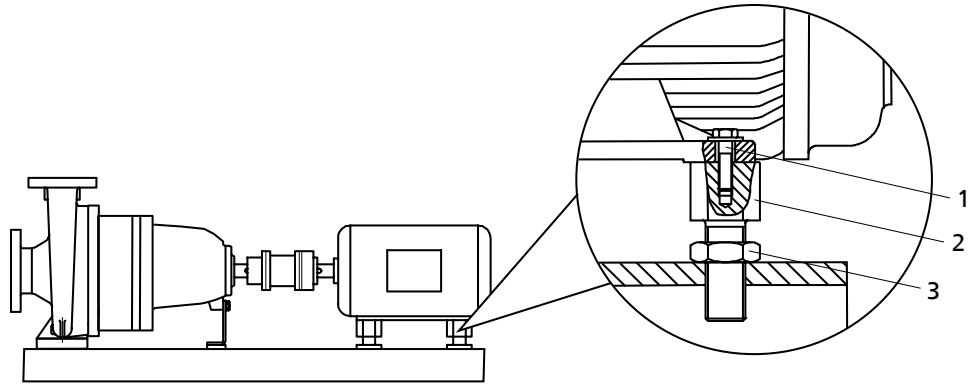


Fig. 16: Motor with adjusting screw

1	Hexagon head bolt	2	Adjusting screw
3	Locknut		

- ✓ The coupling guard and its footboard, if any, have been removed.
- 1. Check the coupling alignment.
- 2. Unscrew the hexagon head bolts (1) at the motor and the locknuts (3) at the baseplate.
- 3. Turn the adjusting screws (2) by hand or by means of an open-end wrench until the coupling alignment is correct and all motor feet rest squarely on the baseplate.
- 4. Re-tighten the hexagon head bolts (1) at the motor and the locknuts (3) at the baseplate.
- 5. Check proper functioning of coupling/shaft.
Check that coupling/shaft can easily be rotated by hand.

	<p>⚠ WARNING</p>
	<p>Unprotected rotating coupling Risk of injury by rotating shafts!</p> <ul style="list-style-type: none"> ▷ Always operate the pump set with a coupling guard. If the customer specifically requests not to include a coupling guard in KSB's delivery, then the operator must supply one! ▷ Observe all relevant regulations for selecting a coupling guard.
	<p>⚠ DANGER</p>
	<p>Risk of ignition by frictional sparks Explosion hazard!!</p> <ul style="list-style-type: none"> ▷ Choose a coupling guard material that is non-sparking in the event of mechanical contact.

- 6. Fit the coupling guard and its footboard, if any.
- 7. Check the distance between coupling and coupling guard.
The coupling guard must not touch the coupling.

5.7.2 Motors without adjusting screw

Any differences in the centreline heights of the pump and motor shafts are compensated by means of shims.

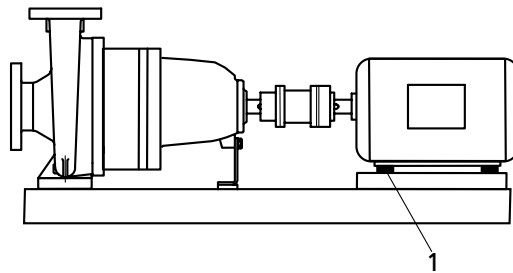


Fig. 17: Pump set with shim

1	Shim
---	------

- ✓ The coupling guard and its footboard, if any, have been removed.
 1. Check the coupling alignment.
 2. Loosen the hexagon head bolts at the motor.
 3. Insert shims underneath the motor feet until the difference in shaft centreline height has been compensated.
 4. Re-tighten the hexagon head bolts.
 5. Check proper functioning of coupling/shaft.
Check that coupling/shaft can easily be rotated by hand.

	<p>⚠ WARNING</p>
	<p>Unprotected rotating coupling Risk of injury by rotating shafts!</p> <ul style="list-style-type: none"> ▷ Always operate the pump set with a coupling guard. If the customer specifically requests not to include a coupling guard in KSB's delivery, then the operator must supply one! ▷ Observe all relevant regulations for selecting a coupling guard.

	<p>⚠ DANGER</p>
	<p>Risk of ignition by frictional sparks Explosion hazard!!</p> <ul style="list-style-type: none"> ▷ Choose a coupling guard material that is non-sparking in the event of mechanical contact.

6. Fit the coupling guard and its footboard, if any.
7. Check the distance between coupling and coupling guard.
The coupling guard must not touch the coupling.

5.8 Electrical connection

	<p>⚠ DANGER</p>
	<p>Electrical connection work by unqualified personnel Risk of fatal injury due to electric shock!</p> <ul style="list-style-type: none"> ▷ Always have the electrical connections installed by a trained and qualified electrician. ▷ Observe regulations IEC 60364 and, for explosion-proof models, EN 60079.

	⚠ WARNING
	<p>Incorrect connection to the mains Damage to the power supply network, short circuit!</p> <ul style="list-style-type: none"> ▷ Observe the technical specifications of the local energy supply companies.

1. Check the available mains voltage against the data on the motor name plate.
2. Select an appropriate starting method.

	NOTE
	<p>Installing a motor protection device is recommended.</p>

5.8.1 Setting the time relay

	CAUTION
	<p>Switchover between star and delta on three-phase motors with star-delta starting takes too long. Damage to the pump (set)!</p> <ul style="list-style-type: none"> ▷ Keep switch-over intervals between star and delta as short as possible.

Table 11: Time relay settings for star-delta starting:

Motor rating [kW]	Y time to be set [s]
≤ 30	< 3
> 30	< 5

5.8.2 Earthing





	⚠ DANGER
	<p>Electrostatic charging Explosion hazard! Damage to the pump set!</p> <ul style="list-style-type: none"> ▷ Connect the PE conductor to the earthing terminal provided. ▷ Provide for potential equalisation between the pump set and the foundation.

5.8.3 Connecting the motor

	NOTE
	<p>In compliance with IEC 60034-8, three-phase motors are always wired for clockwise rotation (looking at the motor shaft stub). The pump's direction of rotation is indicated by an arrow on the pump.</p>

1. Match the motor's direction of rotation to that of the pump.
2. Observe the manufacturer's product literature supplied with the motor.

5.9 Checking the direction of rotation

	<p>⚠ DANGER</p> <p>Temperature increase resulting from contact between rotating and stationary components Explosion hazard! Damage to the pump set!</p> <ul style="list-style-type: none"> ▷ Never check the direction of rotation by starting up the unfilled pump set. ▷ Separate the pump from the motor to check the direction of rotation.
	<p>⚠ WARNING</p> <p>Hands inside the pump casing Risk of injuries, damage to the pump!</p> <ul style="list-style-type: none"> ▷ Always disconnect the pump set from the power supply and secure it against unintentional start-up before inserting your hands or other objects into the pump.
	<p>CAUTION</p> <p>Incorrect direction of rotation with non-reversible mechanical seal Damage to the mechanical seal and leakage!</p> <ul style="list-style-type: none"> ▷ Separate the pump from the motor to check the direction of rotation.
	<p>CAUTION</p> <p>Drive and pump running in the wrong direction of rotation Damage to the pump!</p> <ul style="list-style-type: none"> ▷ Refer to the arrow indicating the direction of rotation on the pump. ▷ Check the direction of rotation. If required, check the electrical connection and correct the direction of rotation.

The correct direction of rotation of the motor and pump is clockwise (seen from the drive end).

1. Start the motor and stop it again immediately to determine the motor's direction of rotation.
2. Check the direction of rotation.
 The motor's direction of rotation must match the arrow indicating the direction of rotation on the pump.
3. If the motor is running in the wrong direction of rotation, check the electrical connection of the motor and switchgear, if any.

6 Commissioning/Start-up/Shutdown

6.1 Commissioning/Start-up

6.1.1 Prerequisites for commissioning/start-up

Before commissioning/starting up the pump set, make sure that the following conditions are met:

- The pump set has been mechanically connected as specified.
- The pump set has been properly connected to the power supply and is equipped with all protection devices. (⇒ Section 5.8, Page 34)
- The pump has been filled with the fluid handled and vented.
- The direction of rotation has been checked. (⇒ Section 5.9, Page 36)
- All auxiliary connections required are connected and operational.
- The lubricants have been checked.
- After prolonged shutdown of the pump (set), the activities required for returning the equipment to service have been carried out. (⇒ Section 6.4, Page 45)

6.1.2 Filling in the lubricants

Grease-lubricated bearings

Grease-lubricated bearings have been packed with grease.

Oil-lubricated bearings



Fill the bearing bracket with lubricating oil.

Oil quality see (⇒ Section 7.2.3.1.2, Page 51)

Oil quantity see (⇒ Section 7.2.3.1.3, Page 52)

Filling the constant level oiler with lubricating oil (oil-lubricated bearings only)

- ✓ The constant level oiler has been fitted.

	NOTE
	<p>If no constant level oiler is provided on the bearing bracket, the oil level can be read in the middle of the oil level gauge arranged at the side of the bearing bracket.</p>
	CAUTION
	<p>Insufficient quantity of lubricating oil in the reservoir of the constant level oiler Damage to the bearings!</p> <ul style="list-style-type: none"> ▷ Regularly check the oil level. ▷ Always fill the oil reservoir completely.

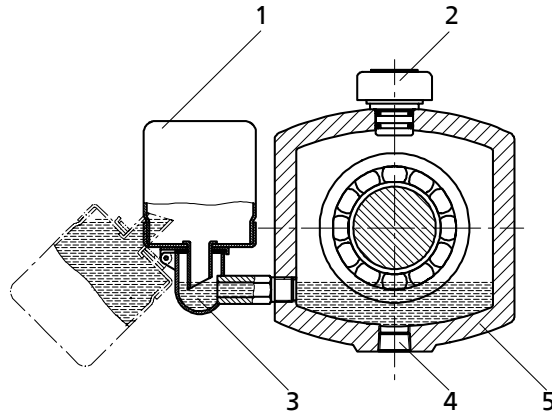


Fig. 18: Bearing bracket with constant level oiler

1	Constant level oiler	2	Vent plug
3	Connection elbow of the constant level oiler	4	Screw plug
5	Bearing bracket		





1. Pull out the vent plug (2).
2. Hinge down the reservoir of the constant level oiler (1) from the bearing bracket (5) and hold it in this position.
3. Fill in oil through the hole for the vent plug until the oil reaches the connection elbow of the constant level oiler (3).
4. Completely fill the reservoir of the constant level oiler (1).
5. Snap the constant level oiler (1) back into its operating position.
6. Fit the vent plug (2) again.
7. After approximately 5 minutes, check the oil level in the glass reservoir of the constant level oiler (1).
The oil reservoir must be properly filled at all times to ensure that the correct oil level is maintained. Repeat steps 1 - 6, if necessary.
8. To check the function of the constant level oiler (1), slowly drain some oil via the screw plug (4) until air bubbles can be seen in the oil reservoir.

	NOTE
	An excessively high oil level can lead to a temperature rise and to leakage of the fluid handled or oil.

6.1.3 Priming and venting the pump

	DANGER
	<p>Risk of potentially explosive atmosphere inside the pump Explosion hazard!</p> <ul style="list-style-type: none"> ▷ The pump internals in contact with the fluid to be handled, including the seal chamber and auxiliary systems, must be filled with the fluid to be handled at all times. ▷ Provide sufficient inlet pressure. ▷ Provide an appropriate monitoring system.



1309.8/02-EN



	<p>⚠ DANGER</p> <p>Risk of potentially explosive atmosphere by incompatible fluids mixing in the auxiliary piping Risk of burns! Explosion hazard!</p> <ul style="list-style-type: none"> ▷ Make sure that the barrier fluid or quench liquid are compatible with the fluid handled.
	<p>⚠ DANGER</p> <p>Shaft seal failure caused by insufficient lubrication Hot or toxic fluid could escape! Damage to the pump!</p> <ul style="list-style-type: none"> ▷ Before starting up the pump set, vent the pump and suction line and prime both with the fluid to be handled.
	<p>CAUTION</p> <p>Increased wear due to dry running Damage to the pump set!</p> <ul style="list-style-type: none"> ▷ Never operate the pump set without liquid fill. ▷ Never close the shut-off element in the suction line and/or supply line during pump operation.
<ol style="list-style-type: none"> 1. Vent the pump and suction line and prime both with the fluid to be handled. Connection 6D can be used for venting (see drawing of auxiliary connections). 2. Fully open the shut-off element in the suction line. 3. Fully open all auxiliary feed lines (barrier fluid, flushing liquid, etc.), if any. 4. Open the shut-off element, if any, in the vacuum balance line and close the vacuum-tight shut-off element, if any. (⇒ Section 5.4.3, Page 29) 	
	<p>NOTE</p> <p>For design-inherent reasons some unfilled volume in the hydraulic system cannot be excluded after the pump has been primed for commissioning/start-up. However, once the motor is started up the pumping effect will immediately fill this volume with the fluid handled.</p>


6.1.4 Final check

1. Remove the coupling guard and its footboard, if any.
2. Check the coupling alignment; re-align the coupling, if required. (⇒ Section 5.6, Page 31)
3. Check proper functioning of coupling/shaft.
Check that coupling/shaft can be easily rotated by hand.
4. Fit the coupling guard and its footboard, if any.
5. Check the distance between coupling and coupling guard.
The coupling guard must not touch the coupling.


6.1.5 Start-up

 	<p>⚠ DANGER</p>
<p>Non-compliance with the permissible pressure and temperature limits if the pump is operated with the suction and/or discharge line closed.</p> <p>Explosion hazard! Hot or toxic fluids escaping!</p> <ul style="list-style-type: none"> ▷ Never operate the pump with the shut-off elements in the suction line and/or discharge line closed. ▷ Only start up the pump set with the discharge-side shut-off element slightly or fully open. 	

 	<p>⚠ DANGER</p>
<p>Excessive temperatures due to dry running or excessive gas content in the fluid handled</p> <p>Explosion hazard! Damage to the pump set!</p> <ul style="list-style-type: none"> ▷ Never operate the pump set without liquid fill. ▷ Prime the pump as per operating instructions. (⇒ Section 6.1.3, Page 38) ▷ Always operate the pump within the permissible operating range. 	

	<p>CAUTION</p>
<p>Abnormal noises, vibrations, temperatures or leakage</p> <p>Damage to the pump!</p> <ul style="list-style-type: none"> ▷ Switch off the pump (set) immediately. ▷ Eliminate the causes before returning the pump set to service. 	

- ✓ The system piping has been cleaned.
- ✓ The pump, suction line and inlet tank, if any, have been vented and primed with the fluid to be handled.
- ✓ The lines for priming and venting have been closed.

	<p>CAUTION</p>
<p>Start-up against open discharge line</p> <p>Motor overload!</p> <ul style="list-style-type: none"> ▷ Make sure the motor has sufficient power reserves. ▷ Use a soft starter. ▷ Use speed control. 	

1. Fully open the shut-off element in the suction head/suction lift line.
2. Close or slightly open the shut-off element in the discharge line.
3. Start up the motor.

4. Immediately after the pump has reached full rotational speed, slowly open the shut-off element in the discharge line and adjust it to comply with the duty point.

	CAUTION
	<p>Misalignment of pump and coupling Damage to pump, motor and coupling!</p> <ul style="list-style-type: none"> ▸ When the operating temperature has been reached, switch off the pump set and check the coupling alignment.

5. Check the coupling alignment and re-align the coupling, if required.

6.1.6 Checking the shaft seal

Mechanical seal The mechanical seal only leaks slightly or invisibly (as vapour) during operation. Mechanical seals are maintenance-free.

Double mechanical seal

	⚠ DANGER
	<p>Excessive temperature of barrier fluid (pumps with double mechanical seal) Explosion hazard! Excessive surface temperature</p> <ul style="list-style-type: none"> ▸ For pumps with double mechanical seal, make sure that the barrier fluid's temperature does not exceed 60 °C.

Gland packing The gland packing must drip slightly during operation.

	CAUTION
	<p>Excessive leakage or no leakage at the gland packing Damage to the pump!</p> <ul style="list-style-type: none"> ▸ Excessive leakage: Re-tighten the gland follower until the required leakage rate is reached. ▸ No leakage: Switch off the pump set immediately. ▸ It is not recommended to operate pump sets with gland packings in combination with a frequency inverter / variable speed system.

Pure graphite packing If a pure graphite packing is used, there must always be some leakage.

Table 12: Leakage rate of the pure graphite packing

Quantity	Values
Minimum	10 cm ³ /min
Maximum	20 cm ³ /min

Adjusting the leakage

Prior to commissioning

1. Only lightly tighten the nuts of the gland follower by hand.
2. Use a feeler gauge to verify that the gland follower is mounted centred and at a right angle to the shaft.

⇒ The gland must leak after the pump has been primed.

After five minutes of operation

	! WARNING
	<p>Unprotected rotating parts Risk of personal injury!</p> <ul style="list-style-type: none"> ▷ Do not touch rotating parts. ▷ When the pump is running, perform any work with utmost caution.

The leakage can be reduced.

1. Tighten the nuts on the gland follower by 1/6 turn.
2. Monitor the leakage for another five minutes.

Excessive leakage:

Repeat steps 1 and 2 until the minimum value has been reached.

Not enough leakage:

Slightly loosen the nuts at the gland follower.

No leakage:

Immediately switch off pump set!

Loosen the gland follower and repeat commissioning.

Checking the leakage

After the leakage has been adjusted, monitor the leakage for about two hours at maximum fluid temperature.

Check that enough leakage occurs at the gland packing at minimum fluid pressure.

6.1.7 Shutdown

	CAUTION
	<p>Heat build-up inside the pump Damage to the shaft seal!</p> <ul style="list-style-type: none"> ▷ Depending on the type of installation, the pump set requires sufficient after-run time – with the heat source switched off – until the fluid handled has cooled down.

	CAUTION
	<p>Backflow of fluid handled is not permitted Motor or winding damage! Mechanical seal damage!</p> <ul style="list-style-type: none"> ▷ Close the shut-off elements.

✓ The shut-off element in the suction line is and remains open.

1. Close the shut-off element in the discharge line.
2. Switch off the motor and make sure the pump set runs down smoothly to a standstill.

	NOTE
	<p>If the discharge line is equipped with a non-return or check valve, the shut-off element may remain open provided that the system conditions and system regulations are considered and observed.</p>

For prolonged shutdown periods:

1. Close the shut-off element in the suction line.
2. Close any auxiliary lines.
If the fluid to be handled is fed in under vacuum, also supply the shaft seal with barrier fluid during standstill.

	CAUTION
	<p>Risk of freezing during prolonged pump shutdown periods Damage to the pump!</p> <ul style="list-style-type: none"> ▷ Drain the pump and the cooling/heating chambers (if any) or otherwise protect them against freezing.

6.2 Operating limits

	⚠ DANGER
	<p>Non-compliance with operating limits for pressure, temperature, fluid handled and speed Explosion hazard! Hot or toxic fluid could escape!</p> <ul style="list-style-type: none"> ▷ Comply with the operating data specified in the data sheet. ▷ Never use the pump for handling fluids it is not designed for. ▷ Avoid prolonged operation against a closed shut-off element. ▷ Never operate the pump at temperatures, pressures or rotational speeds exceeding those specified in the data sheet or on the name plate unless the written consent of the manufacturer has been obtained.

	⚠ DANGER
	<p>Formation of a potentially explosive atmosphere inside the pump Explosion hazard!</p> <ul style="list-style-type: none"> ▷ When draining tanks take suitable measures to prevent dry running of the pump (e.g. fill level monitoring).

6.2.1 Ambient temperature

	CAUTION
	<p>Operation outside the permissible ambient temperature Damage to the pump (set)!</p> <ul style="list-style-type: none"> ▷ Observe the specified limits for permissible ambient temperatures.

Observe the following parameters and values during operation:

Table 13: Permissible ambient temperatures

Permissible ambient temperature	Value
Maximum	50 °C 40 °C ⁴⁾
Minimum	See data sheet.

1309.8/02-EN

⁴ For compliance with 2014/34/EU (ATEX Equipment Directive). Higher ambient temperature possible in individual cases, see data sheet and name plate.

6.2.2 Frequency of starts

	⚠ DANGER
	<p>Excessive surface temperature of the motor Explosion hazard! Damage to the motor!</p> <p>▷ In case of explosion-proof motors, observe the frequency of starts specified in the manufacturer's product literature.</p>

The frequency of starts is determined by the maximum temperature increase of the motor. The frequency of starts depends on the power reserves of the motor in steady-state operation and on the starting conditions (DOL starting, star-delta starting, moments of inertia, etc). If the start-ups are evenly spaced over the period indicated, the following limits serve as orientation for start-up with the discharge-side shut-off valve slightly open:

Table 14: Frequency of starts

Impeller material	Maximum frequency of starts
	[Start-ups/hour]
G (JL1040/ A48CL35B)	15
B (CC480K-GS/B30 C90700)	6
C (1.4408/ A743 GR CF8M)	

	CAUTION
	<p>Re-starting while motor is still running down Damage to the pump (set)!</p> <p>▷ Do not re-start the pump set before the pump rotor has come to a standstill.</p>

6.2.3 Fluid handled

6.2.3.1 Flow rate

Table 15: Flow rate

Temperature range (t)	Minimum flow rate	Maximum flow rate
-30 to +140 °C	≈ 30 % of $Q_{BEP}^{(5)(6)}$	See hydraulic characteristic curves

The calculation formula below can be used to check if an additional heat build-up could lead to a dangerous temperature increase at the pump surface.

$$T_o = T_f + \Delta \vartheta$$

$$\Delta \vartheta = \frac{g \times H}{c \times \eta} \times (1 - \eta)$$

Table 16: Key

Symbol	Description	Unit
c	Specific heat capacity	J/kg K
g	Acceleration due to gravity	m/s ²
H	Pump discharge head	m
T _f	Fluid temperature	°C
T _o	Temperature at the casing surface	°C


⁵ Best efficiency point

⁶ Limitations see hydraulic characteristic curves

Symbol	Description	Unit
η	Pump efficiency at duty point	-
$\Delta\vartheta$	Temperature difference	K

6.2.3.2 Density of the fluid handled

The power input of the pump set will change in proportion to the density of the fluid handled.

	CAUTION
	<p>Impermissibly high density of the fluid handled Motor overload!</p> <ul style="list-style-type: none"> ▷ Observe the information about fluid density in the data sheet. ▷ Make sure the motor has sufficient power reserves.

6.2.3.3 Abrasive fluids

When the pump handles fluids containing abrasive substances, increased wear of the hydraulic system and the shaft seal are to be expected. In this case, reduce the commonly recommended inspection intervals.

The fluid handled may contain abrasive particles up to a maximum content of 5 g/dm³ and a maximum particle size of 0.5 mm.

6.3 Shutdown/storage/preservation

6.3.1 Measures to be taken for shutdown

The pump (set) remains installed

- ✓ Sufficient fluid is supplied for the functional check run of the pump.
 1. For prolonged shutdown periods, start up the pump (set) regularly between once a month and once every three months for approximately five minutes.
 - ⇒ This will prevent the formation of deposits within the pump and the pump intake area.

The pump (set) is removed from the piping and stored



- ✓ The pump has been properly drained. (⇒ Section 7.3, Page 54)
- ✓ The safety instructions for dismantling the pump have been observed. (⇒ Section 7.4.1, Page 54)
- ✓ The permissible ambient temperature for storing the pump is observed.
 1. Spray-coat the inside wall of the pump casing and, in particular, the impeller clearance areas with a preservative.
 2. Spray the preservative through the suction nozzle and discharge nozzle. It is advisable to then close the pump nozzles (e.g. with plastic caps).
 3. Oil or grease all exposed machined parts and surfaces of the pump (with silicone-free oil and grease, food-approved if required) to protect them against corrosion.
 - Observe the additional instructions on preservation. (⇒ Section 3.3, Page 14)

If the pump set is to be stored temporarily, only preserve the wetted components made of low-alloy materials. Commercially available preservatives can be used for this purpose. Observe the manufacturer's instructions for application/removal.

6.4 Returning to service







For returning the equipment to service observe the sections on commissioning/start-up and the operating limits. (⇒ Section 6.1, Page 37) (⇒ Section 6.2, Page 43)

In addition, carry out all servicing/maintenance operations before returning the pump (set) to service. (⇒ Section 7, Page 47)

	<p style="background-color: #f4a460; padding: 2px;">⚠ WARNING</p> <p>Failure to re-install or re-activate protective devices Risk of injury from moving parts or escaping fluid!</p> <ul style="list-style-type: none"> ▸ As soon as the work is completed, properly re-install and re-activate any safety-relevant devices and protective devices.
	<p style="background-color: #0070c0; color: white; padding: 2px;">NOTE</p> <p>If the equipment has been out of service for more than one year, replace all elastomer seals.</p>

7 Servicing/Maintenance

7.1 Safety regulations

	<div style="background-color: #e67e22; color: white; padding: 5px;">⚠ DANGER</div> <p>Improper cleaning of coated pump surfaces Explosion hazard by electrostatic discharge!</p> <ul style="list-style-type: none"> ▷ When cleaning coated pump surfaces in atmospheres of Explosion group IIC, use suitable anti-static equipment.
	<div style="background-color: #e67e22; color: white; padding: 5px;">⚠ DANGER</div> <p>Sparks produced during servicing work Explosion hazard!</p> <ul style="list-style-type: none"> ▷ Observe the safety regulations in force at the place of installation! ▷ Always perform maintenance work at an explosion-proof pump (set) outside of potentially explosive atmospheres.
 	<div style="background-color: #e67e22; color: white; padding: 5px;">⚠ DANGER</div> <p>Improperly serviced pump set Explosion hazard! Damage to the pump set!</p> <ul style="list-style-type: none"> ▷ Service the pump set regularly. ▷ Prepare a maintenance schedule with special emphasis on lubricants, shaft seal and coupling.
<p>The operator ensures that maintenance, inspection and installation are performed by authorised, qualified specialist personnel who are thoroughly familiar with the manual.</p>	
	<div style="background-color: #f1c40f; padding: 5px;">⚠ WARNING</div> <p>Unintentional starting of the pump set Risk of injury by moving components and shock currents!</p> <ul style="list-style-type: none"> ▷ Ensure that the pump set cannot be started unintentionally. ▷ Always make sure the electrical connections are disconnected before carrying out work on the pump set.
	<div style="background-color: #f1c40f; padding: 5px;">⚠ WARNING</div> <p>Fluids handled, consumables and supplies which are hot and/or pose a health hazard Risk of injury!</p> <ul style="list-style-type: none"> ▷ Observe all relevant laws. ▷ When draining the fluid take appropriate measures to protect persons and the environment. ▷ Decontaminate pumps which handle fluids posing a health hazard.

	<p>⚠ WARNING</p>
	<p>Insufficient stability Risk of crushing hands and feet!</p> <ul style="list-style-type: none"> ▷ During assembly/dismantling, secure the pump (set)/pump parts to prevent tilting or tipping over.

A regular maintenance schedule will help avoid expensive repairs and contribute to trouble-free, reliable operation of the pump, pump set and pump parts with a minimum of servicing/maintenance expenditure and work.

	<p>NOTE</p>
	<p>All maintenance work, service work and installation work can be carried out by KSB Service or authorised workshops. For contact details please refer to the enclosed "Addresses" booklet or visit "www.ksb.com/contact" on the Internet.</p>

Never use force when dismantling and reassembling the pump set.




7.2 Servicing/Inspection

7.2.1 Supervision of operation

	<p>⚠ DANGER</p>
	<p>Risk of potentially explosive atmosphere inside the pump Explosion hazard!</p> <ul style="list-style-type: none"> ▷ The pump internals in contact with the fluid to be handled, including the seal chamber and auxiliary systems, must be filled with the fluid to be handled at all times. ▷ Provide sufficient inlet pressure. ▷ Provide an appropriate monitoring system.


 	<p>⚠ DANGER</p>
	<p>Incorrectly serviced shaft seal Explosion hazard! Hot, toxic fluid escaping! Damage to the pump set! Risk of burns! Fire hazard!</p> <ul style="list-style-type: none"> ▷ Regularly service the shaft seal.

 	<p>⚠ DANGER</p>
	<p>Excessive temperatures as a result of bearings running hot or defective bearing seals Explosion hazard! Fire hazard! Damage to the pump set! Risk of burns!</p> <ul style="list-style-type: none"> ▷ Regularly check the lubricant level. ▷ Regularly check the rolling element bearings for running noises.

	<p>⚠ DANGER</p> <p>Incorrectly serviced barrier fluid system Explosion hazard! Fire hazard! Damage to the pump set! Hot and/or toxic fluids escaping!</p> <ul style="list-style-type: none"> ▷ Regularly service the barrier fluid system. ▷ Monitor the barrier fluid pressure.
	<p>CAUTION</p> <p>Increased wear due to dry running Damage to the pump set!</p> <ul style="list-style-type: none"> ▷ Never operate the pump set without liquid fill. ▷ Never close the shut-off element in the suction line and/or supply line during pump operation.
	<p>CAUTION</p> <p>Impermissibly high temperature of fluid handled Damage to the pump!</p> <ul style="list-style-type: none"> ▷ Prolonged operation against a closed shut-off element is not permitted (heating up of the fluid). ▷ Observe the temperature limits in the data sheet and in the section on operating limits. (⇒ Section 6.2, Page 43)

While the pump is in operation, observe and check the following:

- The pump must run quietly and free from vibrations at all times.
- In case of oil lubrication, ensure the oil level is correct. (⇒ Section 6.1.2, Page 37)
- Check the shaft seal.
- Check the static sealing elements for leakage.
- Check the rolling element bearings for running noises.
Vibrations, noise and an increase in current input occurring during unchanged operating conditions indicate wear.
- Monitor the correct functioning of any auxiliary connections.
- Monitor the stand-by pump.
To make sure that stand-by pumps are ready for operation, start them up once a week.
- Monitor the bearing temperature.
The bearing temperature must not exceed 90 °C (measured on the outside of the bearing bracket).

	<p>CAUTION</p> <p>Operation outside the permissible bearing temperature Damage to the pump!</p> <ul style="list-style-type: none"> ▷ The bearing temperature of the pump (set) must never exceed 90 °C (measured on the outside of the bearing bracket).
---	--

	NOTE
	<p>After commissioning, increased temperatures may occur at grease-lubricated rolling element bearings due to the running-in process. The final bearing temperature is only reached after a certain period of operation (up to 48 hours depending on the conditions).</p>

7.2.2 Inspection work

 	⚠ DANGER
	<p>Excessive temperatures caused by friction, impact or frictional sparks Explosion hazard! Fire hazard! Damage to the pump set!</p> <ul style="list-style-type: none"> ▶ Regularly check the coupling guard, plastic components and other guards of rotating parts for deformation and sufficient distance from rotating parts.

	⚠ DANGER
	<p>Electrostatic charging due to insufficient potential equalisation Explosion hazard!</p> <ul style="list-style-type: none"> ▶ Make sure that the connection between pump and baseplate is electrically conductive.

7.2.2.1 Checking the coupling

Check the flexible elements of the coupling. Replace the relevant parts in due time if there is any sign of wear and check the alignment.

7.2.2.2 Checking the clearances

To check the clearances, remove the back pull-out unit.
If the clearance is larger than permitted (see the following table), fit a new casing wear ring 502.1 and/or 502.2.
The clearances specified refer to the impeller diameter.

Table 17: Clearances between impeller and casing / between impeller and casing cover




Impeller material	Permissible clearance	
	New	Maximum
G (JL1040/ A48CL35B) B (CC480K-GS/B30 C90700) I (LTB 2)	0,3 mm	0,9 mm
C (1.4408/ A743 GR CF8M)	0,5 mm	1,5 mm

7.2.2.3 Cleaning filters




	CAUTION
	<p>Insufficient inlet pressure due to clogged filter in the suction line Damage to the pump!</p> <ul style="list-style-type: none"> ▶ Monitor contamination of filter with suitable means (e.g. differential pressure gauge). ▶ Clean filter at appropriate intervals.

1309.8/02-EN

7.2.2.4 Checking the bearing seals

 	 DANGER
	<p>Excessive temperatures caused by mechanical contact Risk of explosion! Damage to the pump set!</p> <p>▸ Check correct seating of axial seal rings mounted on the shaft. Only gentle contact of the sealing lip shall be established.</p>

7.2.3 Lubrication and lubricant change of rolling element bearings

 	 DANGER
	<p>Excessive temperatures as a result of bearings running hot or defective bearing seals Explosion hazard! Fire hazard! Damage to the pump set!</p> <p>▸ Regularly check the condition of the lubricant.</p>

7.2.3.1 Oil lubrication

The rolling element bearings are usually lubricated with mineral oil.

7.2.3.1.1 Intervals

Table 18: Oil change intervals

Oil change	Interval
Change of initial oil fill	After 300 operating hours
Further oil changes	Every 3000 operating hours ⁷⁾

7.2.3.1.2 Oil quality

Table 19: Oil quality⁸⁾

Designation	Symbol to DIN 51502	Properties	
		Lubricating oil C 46 CL 46 CLP 46	□
Flash point (to Cleveland)	+175 °C		
Solidification point (pour point)	-15 °C		
Application temperature ⁹⁾¹⁰⁾	Higher than permissible bearing temperature		

1309.8/02-EN

⁷ At least once a year

⁸ To DIN 51517

⁹ For ambient temperatures below -10 °C use a different suitable type of lubricating oil. Contact KSB.

¹⁰ For ambient temperatures below -10 °C use a different suitable type of lubricating oil. Contact KSB.

7.2.3.1.3 Oil quantity

Table 20: Oil quantity for oil-lubricated radial ball bearings to DIN 625

Shaft unit ¹¹⁾	Code	Oil quantity per bearing bracket
		[L]
65	6313 C3	0,70
85	6317 C3	0,70

7.2.3.1.4 Changing the oil

	<p>! WARNING</p>
	<p>Lubricants posing a health hazard and/or hot lubricants Hazard to persons and the environment!</p> <ul style="list-style-type: none"> ▷ When draining the lubricant take appropriate measures to protect persons and the environment. ▷ Wear safety clothing and a protective mask if required. ▷ Collect and dispose of any lubricants. ▷ Observe all legal regulations on the disposal of fluids posing a health hazard.

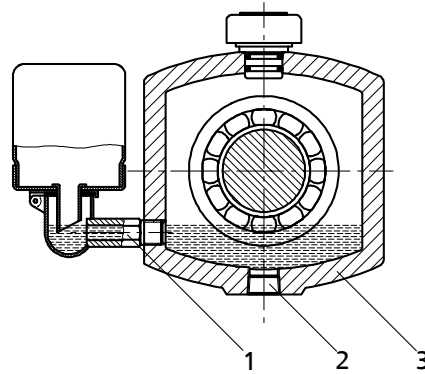


Fig. 19: Bearing bracket with constant level oiler

1	Constant level oiler	2	Screw plug
3	Bearing bracket		

- ✓ A suitable container for the used oil is on hand.
- 1. Place the container underneath the screw plug.
- 2. Undo the screw plug (2) at the bearing bracket (3) and drain the oil.
- 3. Once the bearing bracket (3) has been drained, re-insert and re-tighten the screw plug (2).
- 4. Re-fill with oil. (⇒ Section 6.1.2, Page 37)

7.2.3.2 Grease lubrication

The bearings are supplied packed with high-quality lithium-soap grease.

7.2.3.2.1 Intervals

Under normal conditions the grease-lubricated bearings will run for 15,000 operating hours or 2 years. Under unfavourable operating conditions (e.g. high room temperature, high atmospheric humidity, dust-laden air, aggressive industrial atmosphere etc.), check the bearings earlier and clean and relubricate them if required.

¹¹⁾ Shaft unit see data sheet.

7.2.3.2.2 Grease quality

Optimum grease properties for rolling element bearings

Table 21: Grease quality to DIN 51825

Soap basis	NLGI grade	Worked penetration at 25° C in mm/10	Drop point
Lithium	2 to 3	220-295	≥ 175 °C

- Free of resin and acid
- Not liable to crumble
- Rust-preventive characteristics

If required, the bearings may be lubricated with greases of other soap bases. Make sure to remove any old grease and rinse the bearings thoroughly.

7.2.3.2.3 Grease quantity

Table 22: Grease quantity per grease-lubricated DIN 625 radial ball bearing

Shaft unit ¹²⁾	Code	Grease quantity per bearing
		[g]
65	6313 2Z C3	35
85	6317 2Z C3	70

7.2.3.2.4 Changing the grease



	CAUTION
	<p>Mixing greases of differing soap bases Changed lubricating qualities!</p> <ul style="list-style-type: none"> ▷ Thoroughly clean the bearings. ▷ Adjust the re-lubrication intervals to the grease used.

- ✓ The pump has been dismantled for changing the grease.
 1. Remove the outer cover plate of each bearing with a suitable tool. Dispose of the cover plates.
 2. Only half-fill the bearing cavities with grease.

Continue using the bearings without the outer cover plates (variant Z C3).

¹²⁾ Shaft unit see data sheet.









7.3 Drainage/cleaning

	 WARNING
	<p>Fluids handled, consumables and supplies which are hot and/or pose a health hazard</p> <p>Hazard to persons and the environment!</p> <ul style="list-style-type: none"> ▶ Collect and properly dispose of flushing fluid and any fluid residues. ▶ Wear safety clothing and a protective mask if required. ▶ Observe all legal regulations on the disposal of fluids posing a health hazard.

1. Use connection 6B to drain the fluid handled (see drawing of auxiliary connections).
2. Always flush the system if it has been used for handling noxious, explosive, hot or other hazardous fluids.
Always flush and clean the pump before transporting it to the workshop.
Provide a certificate of decontamination for the pump.

7.4 Dismantling the pump set



7.4.1 General information/Safety regulations

	 DANGER
	<p>Insufficient preparation of work on the pump (set)</p> <p>Risk of injury!</p> <ul style="list-style-type: none"> ▶ Properly shut down the pump set. (⇒ Section 6.1.7, Page 42) ▶ Close the shut-off elements in the suction line and discharge line. ▶ Drain the pump and release the pump pressure. (⇒ Section 7.3, Page 54) ▶ Shut off any auxiliary connections. ▶ Allow the pump set to cool down to ambient temperature.
	 WARNING
	<p>Unqualified personnel performing work on the pump (set)</p> <p>Risk of injury!</p> <ul style="list-style-type: none"> ▶ Always have repair work and maintenance work performed by specially trained, qualified personnel.
	 WARNING
	<p>Hot surface</p> <p>Risk of injury!</p> <ul style="list-style-type: none"> ▶ Allow the pump set to cool down to ambient temperature.
	 WARNING
	<p>Improper lifting/moving of heavy assemblies or components</p> <p>Personal injury and damage to property!</p> <ul style="list-style-type: none"> ▶ Use suitable transport devices, lifting equipment and lifting tackle to move heavy assemblies or components.

Always observe the safety instructions and information. (⇒ Section 7.1, Page 47)
For any work on the motor, observe the instructions of the relevant motor manufacturer.

For dismantling and reassembly observe the exploded views and the general assembly drawing. (⇒ Section 9.1, Page 70)



In the event of damage you can always contact our service departments.

	<p>NOTE</p> <p>All maintenance work, service work and installation work can be carried out by KSB Service or authorised workshops. For contact details please refer to the enclosed "Addresses" booklet or visit "www.ksb.com/contact" on the Internet.</p>
	<p>NOTE</p> <p>After a prolonged period of operation the individual components may be hard to pull off the shaft. If this is the case, use a brand name penetrating agent and/or - if possible - an appropriate puller.</p>

7.4.2 Preparing the pump set

1. Interrupt the power supply and make sure it cannot be switched on again unintentionally.
2. Disconnect and remove all auxiliary pipework.
3. Remove the coupling guard.
4. Remove the coupling spacer if fitted.
5. Drain the oil fill of oil-lubricated bearings. (⇒ Section 7.2.3.1.4, Page 52)


7.4.3 Removing the motor

	<p>NOTE</p> <p>On pump sets with spacer-type couplings, the back pull-out unit can be removed while the motor remains bolted to the baseplate.</p>
	<p>WARNING</p> <p>Motor tipping over Risk of crushing hands and feet!</p> <ul style="list-style-type: none"> ▷ Suspend or support the motor to prevent it from tipping over.

1. Disconnect the motor from the power supply.
2. Unbolt the motor from the baseplate.
3. Shift the motor to separate it from the pump.

7.4.4 Removing the back pull-out unit

- ✓ The notes and steps stated in (⇒ Section 7.4.1, Page 54) to (⇒ Section 7.4.3, Page 55) have been observed/carried out.
- ✓ On pump sets without spacer-type coupling, the motor has been removed.

	<p>WARNING</p> <p>Back pull-out unit tilting Risk of crushing hands and feet!</p> <ul style="list-style-type: none"> ▷ Suspend or support the bearing bracket at the pump end.
---	---

1. If required, suspend or support bearing bracket 330 to prevent it from tilting.
2. Unbolt support foot 183 from the baseplate.
3. Undo nut 920.01 at the volute casing.

4. Use forcing screws 901.30 (for bolted casing covers) or 901.31 (for clamped casing covers) to remove the back pull-out unit from its seat in the volute casing. Pull the back pull-out unit completely out of the volute casing.
5. Remove and dispose of gasket 400.10 or 411.10.
6. Place the back pull-out unit on a clean and level surface.

7.4.5 Removing the impeller

- ✓ The notes and steps stated in (⇒ Section 7.4.1, Page 54) to (⇒ Section 7.4.4, Page 55) have been observed and carried out.
- ✓ The back pull-out unit has been placed in a clean and level assembly area.
 1. Undo impeller nut 920.95 (right-hand thread).
 2. Remove impeller nut 920.95, safety devices 930.95 and disc 550.95.
 3. Remove impeller 230 with an impeller removal tool.
 4. Place impeller 230 on a clean and level surface.
 5. Remove keys 940.01 and 940.09 (if any) from shaft 210.

7.4.6 Removing the shaft seal

7.4.6.1 Removing a single mechanical seal

- ✓ The notes and steps stated in (⇒ Section 7.4.1, Page 54) to (⇒ Section 7.4.5, Page 56) have been observed and carried out.
- ✓ The back pull-out unit has been placed in a clean and level assembly area.
 1. Remove the rotating assembly of the mechanical seal (primary ring) from shaft sleeve 523.
 2. Undo nuts 920.15 (if any) at casing cover 161.
 3. Remove cover plates 81-92.01 and 81-92.02 with bolts 901.98 and lock washers 554.98.
 4. **For models with clamped casing cover:** Remove transport locks 901.22.
For models with bolted casing cover: Use forcing screws 901.31 to remove casing cover 161 from bearing bracket 330.
 5. Remove the stationary assembly of the mechanical seal (mating ring) from casing cover 161.
 6. Pull shaft sleeve 523 off shaft 210.
 7. Remove and dispose of gasket 400.75.

7.4.6.2 Removing a double mechanical seal

See supplementary operating manual.

7.4.6.3 Dismantling the gland packing

- ✓ The notes and steps stated in (⇒ Section 7.4.1, Page 54) to (⇒ Section 7.4.5, Page 56) have been observed and carried out.
- ✓ The back pull-out unit has been placed in a clean and level assembly area.
 1. Undo nuts 920.02 at the gland follower and loosen gland follower 452.
 2. Undo nuts 920.15 (if any) at casing cover 161.
 3. Remove cover plates 81-92.01 and 81-92.02 with bolts 901.98 and lock washers 554.98.
 4. **For models with clamped casing cover:** Remove transport locks 901.22.
For models with bolted casing cover: Use forcing screws 901.31 to remove casing cover 161 from bearing bracket 330.
 5. Remove gland follower 452 from casing cover 161 and remove the gland packing.

6. Remove stuffing box ring 454.
7. Remove packing rings 461 and lantern ring 458, if any.
8. Pull shaft protecting sleeve 524 off shaft 210.
9. Remove and dispose of gasket 400.75.

7.4.7 Dismantling the bearing assembly

Oil lubrication


- ✓ The notes and steps stated in (⇒ Section 7.4.1, Page 54) to (⇒ Section 7.4.6, Page 56) have been observed/carried out.
- ✓ The bearing bracket has been placed in a clean and level assembly area.
 1. Undo the grub screw in the coupling hub.
 2. Pull the coupling hub off pump shaft 210 with a puller.
 3. Remove key 940.02.
 4. Remove pump-end bearing cover 360.01 and drive-end bearing cover 360.02.
 5. Remove hexagon head bolts 901.01 and 901.02 as well as gaskets 400.01 and 400.02.
 6. Press shaft 210 out of the shaft seat.
 7. Remove radial ball bearings 321.01 and 321.02, and place them on a clean and level surface.
 8. Dispose of gaskets 400.01 and 400.02.

Grease lubrication


- ✓ The notes and steps stated in (⇒ Section 7.4.1, Page 54) to (⇒ Section 7.4.6, Page 56) have been observed and carried out.
- ✓ The bearing bracket has been placed in a clean and level assembly area.
 1. Undo the grub screw in the coupling hub.
 2. Pull the coupling hub off pump shaft 210 with a puller or, for split-hub coupling designs, undo the screws and take off the hub halves.
 3. Remove key 940.02.
 4. Remove axial seal rings 411.77 and 411.78.
 5. Remove pump-end bearing cover 360.01 and drive-end bearing cover 360.02.
 6. Remove circlips 932.01 and 932.02.
 7. Press shaft 210 out of the bearing seats.
 8. Remove radial ball bearings 321.01 and 321.02, and place them on a clean and level surface.

7.5 Reassembling the pump set

7.5.1 General information/Safety regulations

	<p>⚠ WARNING</p>
	<p>Improper lifting/moving of heavy assemblies or components Personal injury and damage to property!</p> <p>▶ Use suitable transport devices, lifting equipment and lifting tackle to move heavy assemblies or components.</p>

1309.8/02-EN

	CAUTION
	<p>Improper reassembly Damage to the pump!</p> <ul style="list-style-type: none"> ▷ Reassemble the pump (set) in accordance with the general rules of sound engineering practice. ▷ Use original spare parts only.

Sequence Always reassemble the pump in accordance with the corresponding general assembly drawing or exploded view.

Sealing elements Check O-rings for any damage and replace by new O-rings if required.
 Always use new gaskets, making sure that they have the same thickness as the old ones.
 Always fit gaskets of asbestos-free materials or graphite without using lubricants (e.g. copper grease, graphite paste).

Assembly aids Avoid the use of assembly adhesives if possible.
 Should an assembly adhesive be required after all, use a commercially available contact adhesive (e.g. Pattex) or sealant (e.g. HYLOMAR or Epple 33).
 Only apply adhesive at selected points and in thin layers.
 Never use quick-setting adhesives (cyanoacrylate adhesives).
 Coat the locating surfaces of the individual components with graphite or similar before reassembly.

Tightening torques Prior to reassembly, screw back any forcing screws and adjusting screws.
 For reassembly, tighten all screws and bolts as specified in this manual.
 (⇒ Section 7.6, Page 65)

7.5.2 Installing the bearing assembly

Oil lubrication

- ✓ The individual parts have been placed in a clean and level assembly area.
 - ✓ All dismantled parts have been cleaned and checked for wear.
 - ✓ Any damaged or worn parts have been replaced by original spare parts.
 - ✓ The sealing surfaces have been cleaned.
1. Press radial ball bearings 321.01 and 321.02 onto shaft 210.
 2. Slide the pre-assembled shaft into bearing bracket 330.
 3. Insert new gaskets 400.01 and 400.02.
 4. Fasten bearing covers 360.01 and 360.02 with hexagon head bolts 901.01 and 901.02. Watch lip seals 421.01 and 421.02.
 5. Insert key 940.02.
 6. Pull the half coupling onto the drive-end shaft stub.
 7. Secure the coupling hub with a grub screw.

Grease lubrication

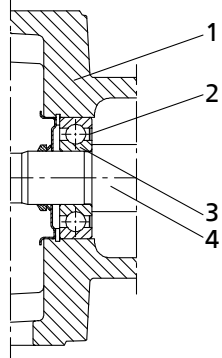


Fig. 20: Installing the radial ball bearing

1	Bearing bracket	2	Shield
3	Radial ball bearing	4	Shaft

- ✓ The individual parts have been placed in a clean and level assembly area.
 - ✓ All dismantled parts have been cleaned and checked for wear.
 - ✓ Any damaged or worn parts have been replaced by original spare parts.
 - ✓ The sealing surfaces have been cleaned.
1. Press radial ball bearings 321.01 and 321.02 onto shaft 210.
Make sure the bearing side with the shield rests against the shaft shoulder (see illustration: Installing the radial ball bearings).
 2. Slide the pre-assembled shaft into bearing bracket 330.
 3. Fit circlips 932.01 and 932.02.
 4. Fit bearing covers 360.01 and 360.02.
 5. Fit axial seal rings 411.77 and 411.78.
 6. Insert key 940.02.
 7. Fit the coupling hub on pump shaft 210. For split-hub coupling designs, fit the hub halves on pump shaft 210. Fit and tighten the screws clamping the hub halves together. Observe the tightening torques. (⇒ Section 7.6, Page 65)
 8. Secure the coupling hub with a grub screw.

7.5.3 Fitting the shaft seal

7.5.3.1 Installing a single mechanical seal

Installing the mechanical seal

The following rules must be observed when installing the mechanical seal:

- Work cleanly and accurately.
- Only remove the protective wrapping of the contact faces immediately before installation takes place.
- Prevent any damage to the sealing surfaces or O-rings.
- ✓ The notes and steps stated in (⇒ Section 7.5.1, Page 57) to (⇒ Section 7.5.2, Page 58) have been observed and carried out.
- ✓ The bearing assembly as well as the individual parts have been placed in a clean and level assembly area.
- ✓ All dismantled parts have been cleaned and checked for wear.
- ✓ Any damaged or worn parts have been replaced by original spare parts.
- ✓ The sealing surfaces have been cleaned.
 1. Clean shaft sleeve 523 and touch up any score marks or scratches with a polishing cloth.
If score marks or scratches are still visible, fit new shaft sleeve 523.
 2. Slide shaft sleeve 523 with new gasket 400.75 onto shaft 210.
 3. Clean the mating ring location in casing cover 161.

	CAUTION
	<p>Elastomers in contact with oil/grease Shaft seal failure!</p> <ul style="list-style-type: none"> ▷ Use water as assembly lubricant. ▷ Never use oil or grease as assembly lubricant.

4. Carefully insert the mating ring.
Make sure to apply pressure evenly.
5. On models with a bolted casing cover loosen forcing screws 901.31.
6. Place casing cover 161 into the locating fit of bearing bracket 330.
7. On models with a clamped casing cover fasten transport locks 901.22. The casing cover is now fastened to the bearing bracket.
8. Fit cover plates 81-92.01 and 81-92.02 with bolts 901.98 and lock washers 554.98 on the bearing bracket.
9. Fit and tighten nuts 920.15 if applicable.

	NOTE
	<p>To reduce friction forces when assembling the seal, wet the shaft sleeve and the location of the stationary ring with water.</p>

10. Fit the rotating assembly of the mechanical seal (primary ring) on shaft sleeve 523.

Observe the following installation dimension b for mechanical seals with overall length L_{1k} to EN 12756 (design KU):

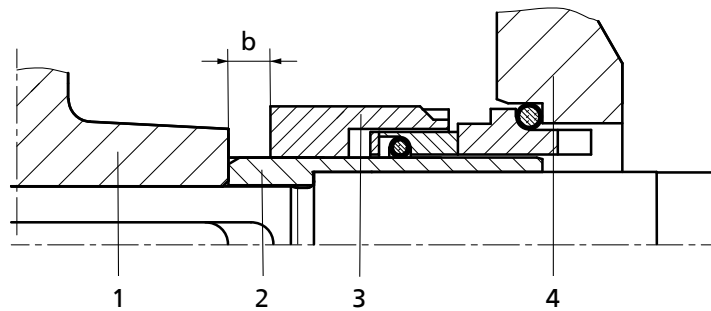


Fig. 21: Installation dimension b of mechanical seal

1	Impeller	2	Shaft sleeve
3	Mechanical seal	4	Casing cover

Table 23: Installation dimensions of the mechanical seal

Shaft unit ¹³⁾	Installation dimension b [mm]
65	21,5
85	15

7.5.3.2 Installing a double mechanical seal

See supplementary operating manual.

7.5.3.3 Fitting the gland packing

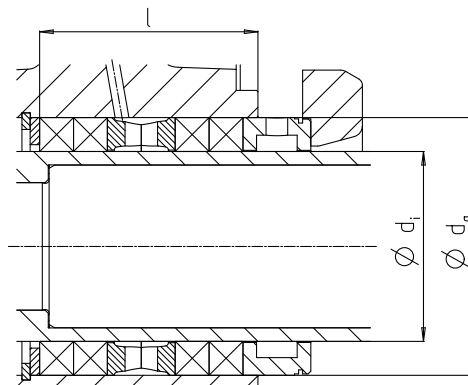


Fig. 22: Gland packing chamber

¹³⁾ Shaft unit see data sheet.

Table 24: Gland packing chamber

Shaft unit ¹⁴⁾	Gland packing chamber			Packing cross-section	Packing rings ¹⁵⁾
	$\varnothing d_i$	$\varnothing d_a$	l		
65	70	95	80,5	□ 12,5 x 270	4 packing rings 1 lantern ring or 6 packing rings
85	80	105	80,5	□ 12,5 x 295	4 packing rings 1 lantern ring or 6 packing rings

- ✓ The notes and steps stated in (⇒ Section 7.5.1, Page 57) to (⇒ Section 7.5.2, Page 58) have been observed/carried out.
- ✓ The bearing assembly as well as the individual parts have been placed in a clean and level assembly area.
- ✓ All dismantled parts have been cleaned and checked for wear.
- ✓ Any damaged or worn parts have been replaced by original spare parts.
- ✓ The sealing surfaces have been cleaned.


Fig. 23: Packing ring cut to size

Variant with packing ring cut to size

1. Clean the gland packing chamber.
2. Insert packing ring 461 into the gland packing chamber of casing cover 161.
3. Use stuffing box ring 454 to tamp down packing ring 461.
4. Slide the shaft protecting sleeve (chamfered side first) into the gland packing chamber from the non-drive end.
5. Insert lantern ring 458, if any (see drawing above).
Insert subsequent packing rings one at a time, with their joints staggered at approximately 90°. Use stuffing box ring 454 to seat each individual packing ring in the gland packing chamber. Once each packing ring is in place, slide shaft protecting sleeve 524 back into position.
6. Place gland follower 452 on studs 902.2 and tighten it lightly and evenly with hexagon nuts 920.2, so that packing rings 461 are not compressed yet.
7. Use a feeler gauge to verify that gland follower 452 is fitted centred and at a right angle to the shaft.
8. Slide new gasket 400.75 onto shaft 210.
9. On variants with a bolted casing cover undo forcing screws 901.31 without removing them.
10. Place casing cover 161 into the locating fit of bearing bracket 330. Verify that shaft 210 and shaft protecting sleeve 524 are aligned properly.
11. On models with a clamped casing cover fasten transport locks 901.22. The casing cover is now fastened to the bearing bracket.
12. Fit cover plates 81-92.01 and 81-92.02 with bolts 901.98 and lock washers 554.98 on the bearing bracket.
13. Fit and tighten nuts 920.15, if any.
14. Tighten gland follower 452 lightly and evenly.
The pump rotor must be easy to rotate.

¹⁴⁾ Shaft unit see data sheet.

¹⁵⁾ For operation with positive suction head and suction pressure > 0.5 bar, the lantern ring is replaced by two additional packing rings.

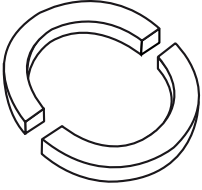


Fig. 24: Pure graphite packing ring



Variant with pure graphite packing ring

1. Clean the packing chamber.
2. Insert pure graphite packing ring 461.
3. Use stuffing box ring 454 to tamp down pure graphite packing ring 461.
4. Slide the shaft protecting sleeve (chamfered side first) into the gland packing chamber from the pump end.
A visible gap must remain between shaft protecting sleeve 524 and the packing rings.
5. Insert subsequent pure graphite packing rings 461 one at a time, with their joints staggered at approximately 90°. Use stuffing box ring 454 to seat each individual packing ring in the packing chamber. Once each packing ring is in place, slide shaft protecting sleeve 524 back into position.
The pure graphite packing rings 461 must always fit snugly in the stuffing box.
6. Position gland follower 452 on studs 902.2. Fasten by tightening nuts 920.2 lightly and evenly.
7. Use a feeler gauge to verify that gland follower 452 is fitted centred and at a right angle to the shaft.
8. Slide new gasket 400.75 onto shaft 210.
9. On models with a bolted casing cover undo forcing screws 901.31 without removing them.
10. Place casing cover 161 into the locating fit of bearing bracket 330. Verify that shaft 210 and shaft protecting sleeve 524 are aligned properly.
11. On models with a clamped casing cover fasten transport locks 901.22. The casing cover is now fastened to the bearing bracket.
12. Fit cover plates 81-92.01 and 81-92.02 with bolts 901.98 and lock washers 554.98 on the bearing bracket.
13. Fit and tighten nuts 920.15 if applicable.
14. Tighten gland follower 452 lightly and evenly.
The rotor must be easy to rotate.

7.5.4 Fitting the impeller


- ✓ The notes and steps stated in (⇒ Section 7.5.1, Page 57) to (⇒ Section 7.5.3, Page 60) have been observed/carried out.
 - ✓ The assembled bearing bracket as well as the individual parts have been placed in a clean and level assembly area.
 - ✓ All dismantled parts have been cleaned and checked for wear.
 - ✓ Any damaged or worn parts have been replaced by original spare parts.
 - ✓ The sealing surfaces have been cleaned.
1. Insert key 940.1 and, if applicable, key 940.09. Slide impeller 230 onto shaft 210.
 2. Fasten impeller nut 920.95, spring washer 930.95 and disc 550.95, if applicable.
(⇒ Section 7.6, Page 65)

7.5.5 Installing the back pull-out unit

	 WARNING
	<p>Back pull-out unit tilting Risk of crushing hands and feet!</p> <ul style="list-style-type: none"> ▷ Suspend or support the bearing bracket at the pump end.

- ✓ The notes and steps stated in (⇒ Section 7.5.1, Page 57) to (⇒ Section 7.5.4, Page 63) have been observed and carried out.
- ✓ Any damaged or worn parts have been replaced by original spare parts.
- ✓ The sealing surfaces have been cleaned.
- ✓ For back pull-out units without coupling, fit the coupling in accordance with the manufacturer's instructions.
 1. Insert new gasket 400.10 or 411.10 into volute casing 102.
 2. Loosen forcing screws 901.30 or 901.31.
 3. Suspend or support the back pull-out unit to prevent it from tilting. Guide the back pull-out unit over studs 902.01 and into volute casing 102.
 4. Tighten nut 920.01 at the volute casing. Observe the tightening torques. (⇒ Section 7.6, Page 65)
 5. Bolt support foot 183 to the baseplate.

7.5.6 Mounting the motor

	NOTE
	<p>Steps 1 and 2 do not apply to versions with spacer-type coupling.</p>

1. Shift the motor to connect it to the pump via the coupling.
2. Fasten the motor to the baseplate.
3. Align pump and motor. (⇒ Section 5.7, Page 32)
4. Connect the motor to the power supply (refer to manufacturer's product literature).

7.6 Tightening torques

7.6.1 Tightening torques for the pump

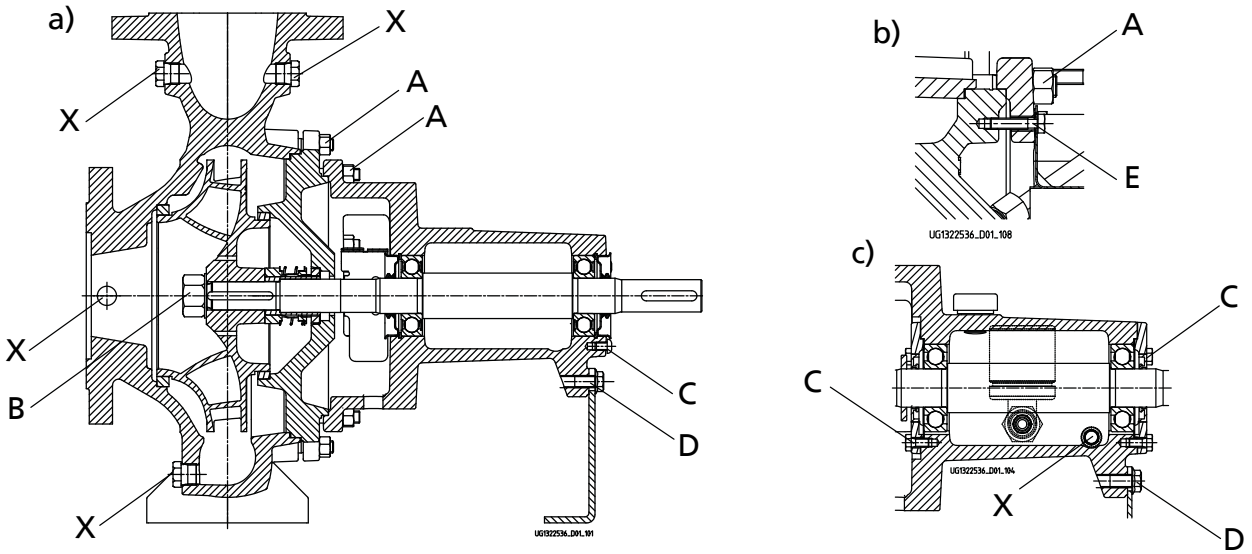


Fig. 25: Tightening points: model with bolted casing cover and grease lubrication (a), model with clamped casing cover (b) and oil lubrication (c)

Table 25: Tightening torques

Position	Thread	Tightening torques
		[Nm]
A	M16	125
B	M24 × 1,5	130
	M30 × 1,5	170
C	M8	20
	M10	38
	M12	55
D	M16	210
E	M8	10
X	1/8	25
	1/4	55
	3/8	80
	1/2	130
	3/4	220

7.6.2 Tightening torques for the shaft seal

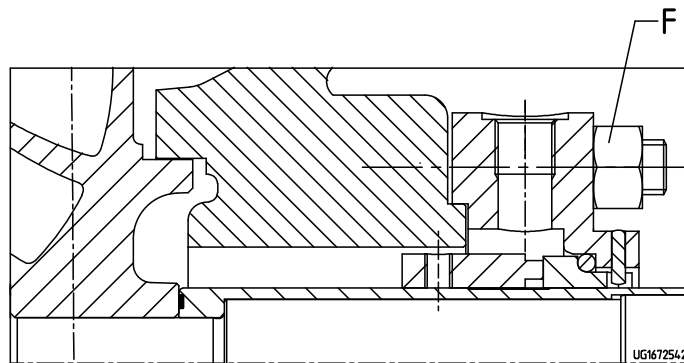


Fig. 26: Position

Table 26: Tightening torques for the shaft seal

Position	Thread	Tightening torque [Nm]
F	M 16	120

7.6.3 Tightening torques for the pump set

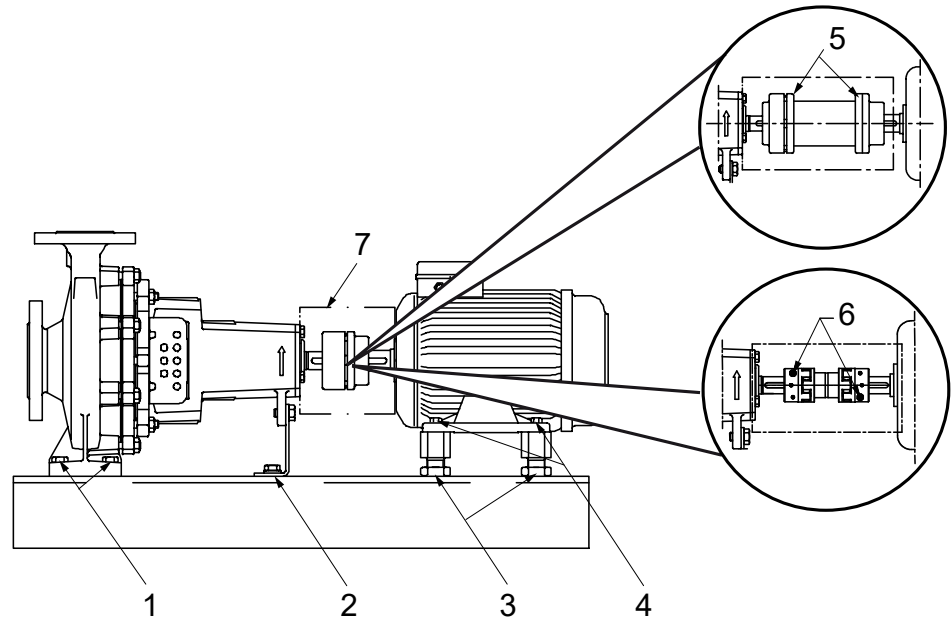


Fig. 27: Position of bolts/screws at the pump set

Table 27: Tightening torques for bolted/screwed connections at the pump set

Position	Thread size	Tightening torque	Comments
		[Nm]	
1	M20	250	Pump on baseplate
	M24	250	
	M30	250	
2	M16	75	
3	M24 × 1,5	140	Adjusting screws in baseplate
	M36 × 1,5	140	
4	M6	10	Motor on baseplate or motor on adjusting screws or bases
	M8	10	
	M10	15	
	M12	30	
	M16	75	
	M20	140	
	M24	140	
5	M6	13	Coupling (only for spacer-type coupling made by Flender)
	M8	18	
	M10	44	
6	M6	10	Coupling guard

7.7 Spare parts stock

7.7.1 Ordering spare parts

Always quote the following data when ordering replacement or spare parts:

- Order number
- Order item number
- Consecutive number
- Type series
- Size
- Material variant
- Seal code
- Year of construction

Refer to the name plate for all data.

Also specify the following data:

- Part number and description (⇒ Section 9.1, Page 70)
- Quantity of spare parts
- Shipping address
- Mode of dispatch (freight, mail, express freight, air freight)

7.7.2 Recommended spare parts stock

Table 28: Quantity of spare parts for recommended spare parts stock for commissioning



Part No.	Description	Number of pumps									
		1	2	3	4	5	6	7	8	9	10 and more
433	Mechanical seal	1	1	1	2	2	2	2	3	3	25 %
400.10	Gasket	2	4	6	8	8	9	9	12	12	150 %
400.75	Gasket	2	4	6	8	8	9	9	12	12	150 %
411.10	Gasket	2	4	6	8	8	9	9	12	12	150 %

Table 29: Quantity of spare parts for recommended spare parts stock for 2 years' operation to DIN 24296

Part No.	Description	Number of pumps									
		1	2	3	4	5	6	7	8	9	10 and more
210	Shaft	1	1	1	1	2	2	2	2	2	20 %
230	Impeller	1	1	1	1	2	2	2	2	2	20 %
321.01/02	Rolling element bearing (set)	1	1	1	2	2	2	2	3	3	25 %
433	Mechanical seal	1	1	1	2	2	2	2	3	3	25 %
502.01/02	Casing wear ring ¹⁶⁾ (set)	1	2	2	2	3	3	3	4	4	50 %
523	Shaft sleeve	1	2	2	2	3	3	3	4	4	50 %
524	Shaft protecting sleeve	1	2	2	2	3	3	3	4	4	50 %
458	Lantern ring ¹⁶⁾	2	4	4	6	6	6	8	8	8	100 %
461	Gland packing (set)	2	4	4	6	6	6	6	8	8	100 %
400.10	Gasket	2	4	6	8	8	9	9	12	12	150 %
400.75	Gasket	2	4	6	8	8	9	9	12	12	150 %
411.10	Gasket	2	4	6	8	8	9	9	12	12	150 %

¹⁶⁾ If any

8 Trouble-shooting

	 WARNING
	<p>Improper work to remedy faults Risk of injury!</p> <p>▷ For any work performed to remedy faults, observe the relevant information given in this operating manual and/or in the product literature provided by the accessories manufacturer.</p>

If problems occur that are not described in the following table, consultation with the KSB service is required.

- A Pump delivers insufficient flow rate
- B Motor is overloaded
- C Excessive discharge pressure
- D Increased bearing temperature
- E Leakage at the pump
- F Excessive leakage at the shaft seal
- G Vibrations during pump operation
- H Impermissible temperature increase in the pump

Table 30: Trouble-shooting

A	B	C	D	E	F	G	H	Possible cause	Remedy ¹⁷⁾
X	-	-	-	-	-	-	-	Pump delivers against an excessively high pressure.	Re-adjust to duty point. Check system for impurities. Fit a larger impeller. ¹⁸⁾ Increase the speed (turbine, I.C. engine).
X	-	-	-	-	-	X	X	Pump or piping are not completely vented or primed.	Vent and/or prime.
X	-	-	-	-	-	-	-	Supply line or impeller clogged	Remove deposits in the pump and/or piping.
X	-	-	-	-	-	-	-	Formation of air pockets in the piping	Alter piping layout. Fit vent valve.
X	-	-	-	-	-	X	X	Suction lift is too high/NPSHavailable (positive suction head) is too low.	Check/alter fluid level. Install pump at a lower level. Fully open the shut-off element in the suction line. Change suction line, if the friction losses in the suction line are too high. Check any strainers installed/suction opening. Observe permissible speed of pressure fall.
X	-	-	-	-	-	-	-	Air intake at the shaft seal	Supply external barrier fluid, if necessary, or increase barrier fluid pressure. Replace shaft seal.
X	-	-	-	-	-	-	-	Wrong direction of rotation	Check the electrical connection of the motor and the control system, if any.
X	-	-	-	-	-	-	-	Speed is too low. - Operation with frequency inverter - Operation without frequency inverter	- Increase voltage/frequency at the frequency inverter in the permissible range. - Check voltage.
X	-	-	-	-	-	X	-	Wear of internal components	Replace worn components by new ones.
-	X	-	-	-	-	X	-	Pump back pressure is lower than specified in the purchase order.	Re-adjust to duty point. In the case of persistent overloading, turn down impeller. ¹⁸⁾

¹⁷⁾ Pump pressure must be released before attempting to remedy faults on parts which are subjected to pressure.

¹⁸⁾ Contact the manufacturer.

A	B	C	D	E	F	G	H	Possible cause	Remedy ¹⁷⁾
-	X	-	-	-	-	-	-	Density or viscosity of fluid handled higher than stated in purchase order	Contact the manufacturer.
-	-	-	-	-	X	-	-	Use of unsuitable shaft seal materials	Change the material combination. ¹⁸⁾
-	X	-	-	-	X	-	-	Gland follower over-tightened or cocked	Adjust.
-	X	X	-	-	-	-	-	Speed is too high.	Reduce speed. ¹⁸⁾
-	-	-	-	X	-	-	-	Tie bolts/sealing element defective	Fit new sealing element between volute casing and casing cover. Re-tighten the bolts.
-	-	-	-	-	X	-	-	Worn shaft seal	Fit new shaft seal. Check flushing liquid/barrier fluid.
X	-	-	-	-	X	-	-	Score marks or roughness on shaft protecting sleeve / shaft sleeve	Replace shaft protecting sleeve/shaft sleeve. Fit new shaft seal.
-	-	-	-	-	X	-	-	Dismantle to find out.	Correct. Fit new shaft seal, if required.
-	-	-	-	-	X	-	-	Vibrations during pump operation	Correct the suction conditions. Re-align the pump set. Re-balance the impeller. Increase pressure at the pump suction nozzle.
-	-	-	X	-	X	X	-	Pump set is misaligned.	Re-align pump set.
-	-	-	X	-	X	X	-	Pump is warped or sympathetic vibrations in the piping.	Check the piping connections and secure fixing of pump; if required, reduce distances between the pipe clamps. Fix the pipelines using anti-vibration material.
-	-	-	X	-	-	-	-	Increased axial thrust ¹⁸⁾	Clean balancing holes in the impeller. Replace the casing wear rings.
-	-	-	X	-	-	-	-	Insufficient or excessive quantity of lubricant or unsuitable lubricant.	Top up, reduce or change lubricant.
-	-	-	X	-	-	-	-	Non-compliance with specified coupling distance	Correct the distance according to general arrangement drawing.
X	X	-	-	-	-	-	-	Motor is running on two phases only.	Replace the defective fuse. Check the electric cable connections.
-	-	-	-	-	-	X	-	Rotor out of balance	Clean the impeller. Re-balance the impeller.
-	-	-	-	-	-	X	-	Defective bearing(s)	Replace.
-	-	-	X	-	-	X	X	Flow rate is too low.	Increase the minimum flow rate.
-	-	-	-	-	X	-	-	Incorrect inflow of circulation liquid	Increase the free cross-section.

9 Related Documents

9.1 General assembly drawings

9.1.1 Version with standardised mechanical seal and bolted casing cover

This illustration applies to the following pump sizes:

150-125-510	200-150-510	250-200-375	300-250-375	350-300-350
		250-200-435	300-250-435	350-300-350.1
		250-200-510	300-350-510	350-300-375
				350-300-435
				350-300-510

[Supplied in packaging units only

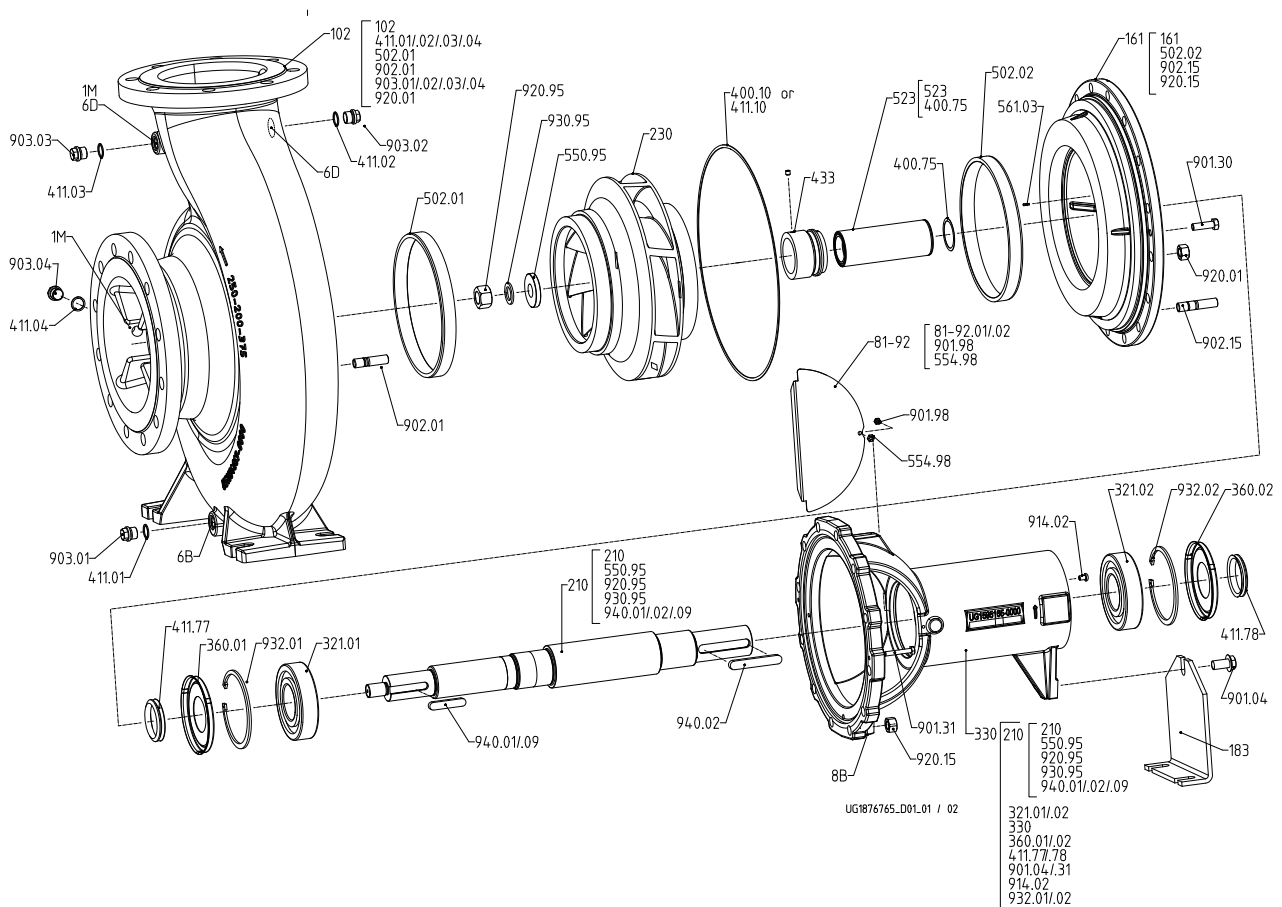


Fig. 28: Version with standardised mechanical seal and bolted casing cover

Table 31: List of components

Part No.	Description	Part No.	Description
102	Volute casing	523	Shaft sleeve
161	Casing cover	550.95	Disc
183	Support foot	554.98	Lock washer
210	Shaft	561.03	Grooved pin
230	Impeller	81-92.01/02	Cover plate
321.01/02	Deep groove ball bearing	901.04/30/31/98	Hexagon head bolt
330	Bearing bracket	902.01/15	Stud
360.01/02	Bearing cover	903.01/02/03/04	Screw plug
400.10/75	Gasket	914.02	Round-head screw

Part No.	Description	Part No.	Description
411.01/02/03/04/10	Joint ring	920.01/15/95	Hexagon nut
411.77/78	Axial seal ring	930.95	Spring washer
433	Mechanical seal	932.01/02	Circlip
502.01/02	Casing wear ring	940.01/02/09	Key

Table 32: Connections

Part No.	Description	Part No.	Description
1M	Pressure gauge with connection	6D	Fluid priming and venting
6B	Fluid drain	8B	Leakage drain

9.1.2 Version with standardised mechanical seal and clamped casing cover

Table 33: This illustration applies to the following pump sizes:

- | | | |
|-------------|-------------|----------------|
| 200-200-250 | 250-200-275 | 300-250-295 |
| | 250-200-320 | 300-250-295. 1 |
| | | 300-250-320 |

[Supplied in packaging units only

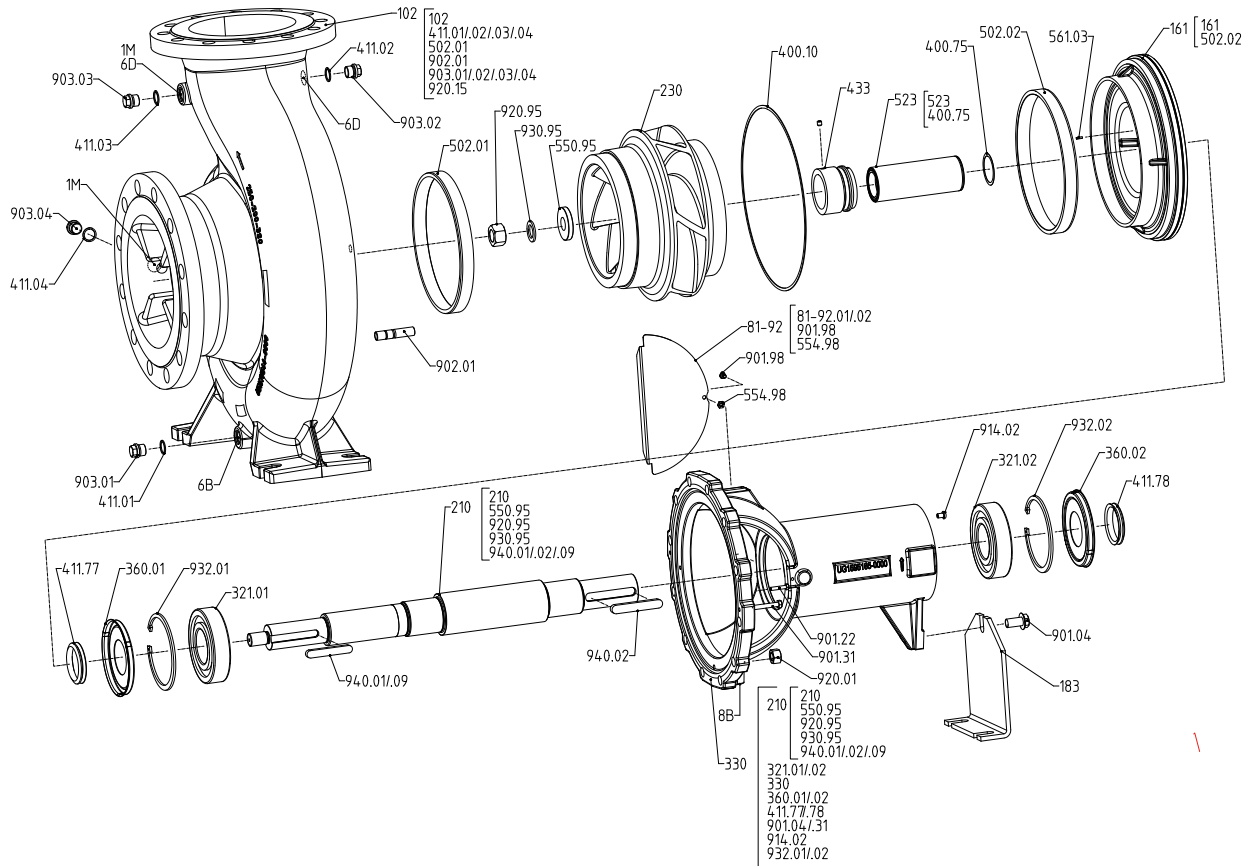


Fig. 29: Version with standardised mechanical seal and clamped casing cover

Table 34: List of components

Part No.	Description	Part No.	Description
102	Volute casing	523	Shaft sleeve
161	Casing cover	550.95	Disc
183	Support foot	554.98	Lock washer
210	Shaft	561.03	Grooved pin
230	Impeller	81-92.01/02	Cover plate
321.01/02	Deep groove ball bearing	901.04/.22/.31/98	Hexagon head bolt
330	Bearing bracket	902.01	Stud
360.01/02	Bearing cover	903.01/02/.03/04	Screw plug
400.10/.75	Gasket	914.02	Round-head screw
411.01/02/.03/04	Joint ring	920.01/95	Hexagon nut
411.77/.78	Axial seal ring	930.95	Spring washer
433	Mechanical seal	932.01/02	Circlip
502.01/02	Casing wear ring	940.01/02/.09	Key

Table 35: Connections

Part No.	Description	Part No.	Description
1M	Pressure gauge with connection	6D	Fluid priming and venting
6B	Fluid drain	8B	Leakage drain

9.1.3 Version with gland packing and bolted casing cover

Table 36: This illustration applies to the following pump sizes:

150-125-510	200-150-510	250-200-375	300-250-375	350-300-350
		250-200-435	300-250-435	350-300-350.1
		250-200-510	300-250-510	350-300-375
				350-300-435
				350-300-510

[Supplied in packaging units only

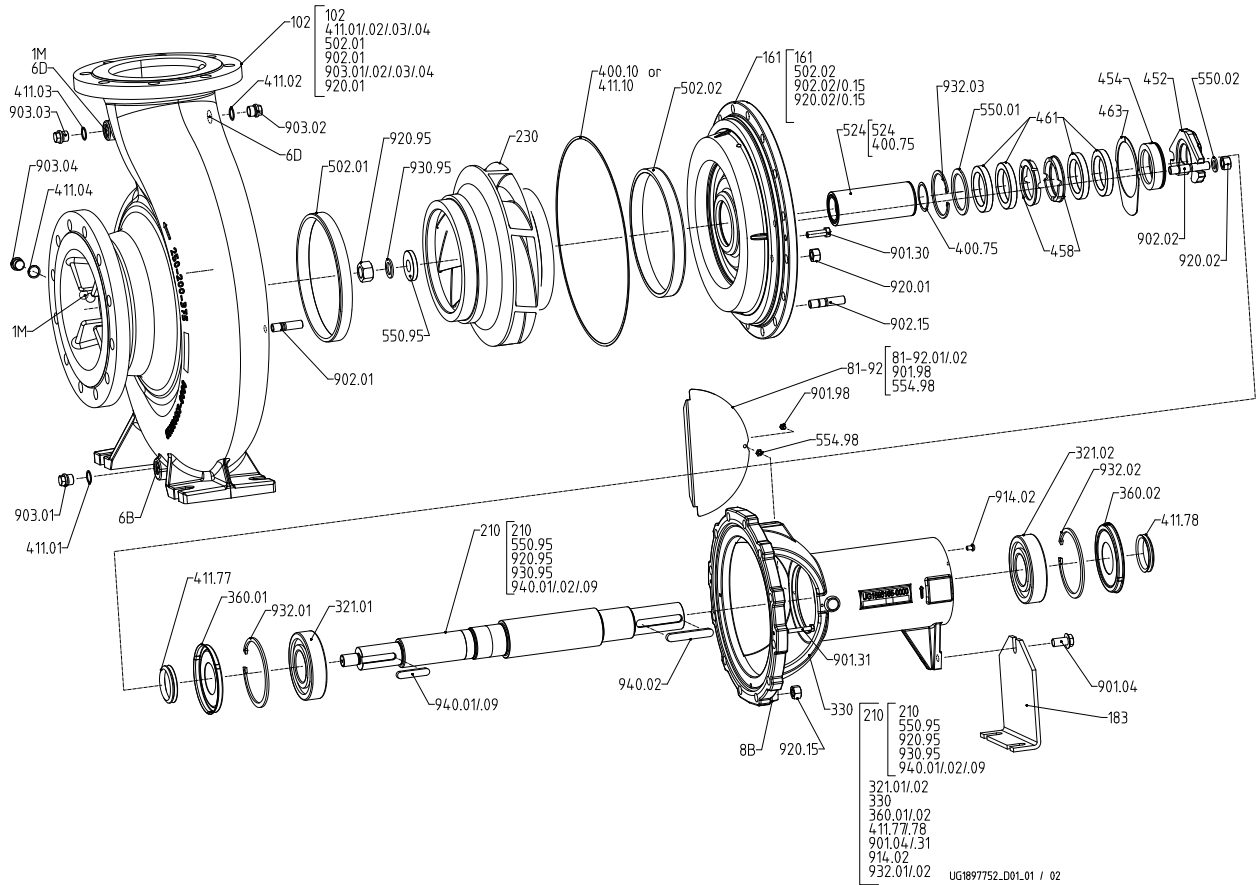


Fig. 30: Version with gland packing and bolted casing cover

Table 37: List of components

Part No.	Description	Part No.	Description
102	Volute casing	461	Gland packing
161	Casing cover	502.01/02	Casing wear ring
183	Support foot	524	Shaft protecting sleeve
210	Shaft	550.95	Disc
230	Impeller	554.98	Lock washer
321.01/02	Deep groove ball bearing	81-92.01/02	Cover plate
330	Bearing bracket	901.04/30/31/98	Hexagon head bolt
360.01/02	Bearing cover	902.01/02/15	Stud
400.10/75	Gasket	903.01/02/03/04	Screw plug
411.01/02/03/04/10	Joint ring	914.02	Round-head screw
411.77/78	Axial seal ring	920.01/02/15/95	Hexagon nut
452	Gland follower	930.95	Spring washer

Part No.	Description	Part No.	Description
454	Stuffing box ring	932.01/02	Circlip
458	Lantern ring	940.01/02/09	Key

Table 38: Connections

Part No.	Description	Part No.	Description
1M	Pressure gauge with connection	6D	Fluid priming and venting
6B	Fluid drain	8B	Leakage drain

9.1.4 Version with gland packing and clamped casing cover

Table 39: This illustration applies to the following pump sizes:

- | | | |
|-------------|-------------|---------------|
| 200-200-250 | 250-200-275 | 300-250-295 |
| | 250-200-320 | 300-250-295.1 |
| | | 300-250-320 |

[Supplied in packaging units only

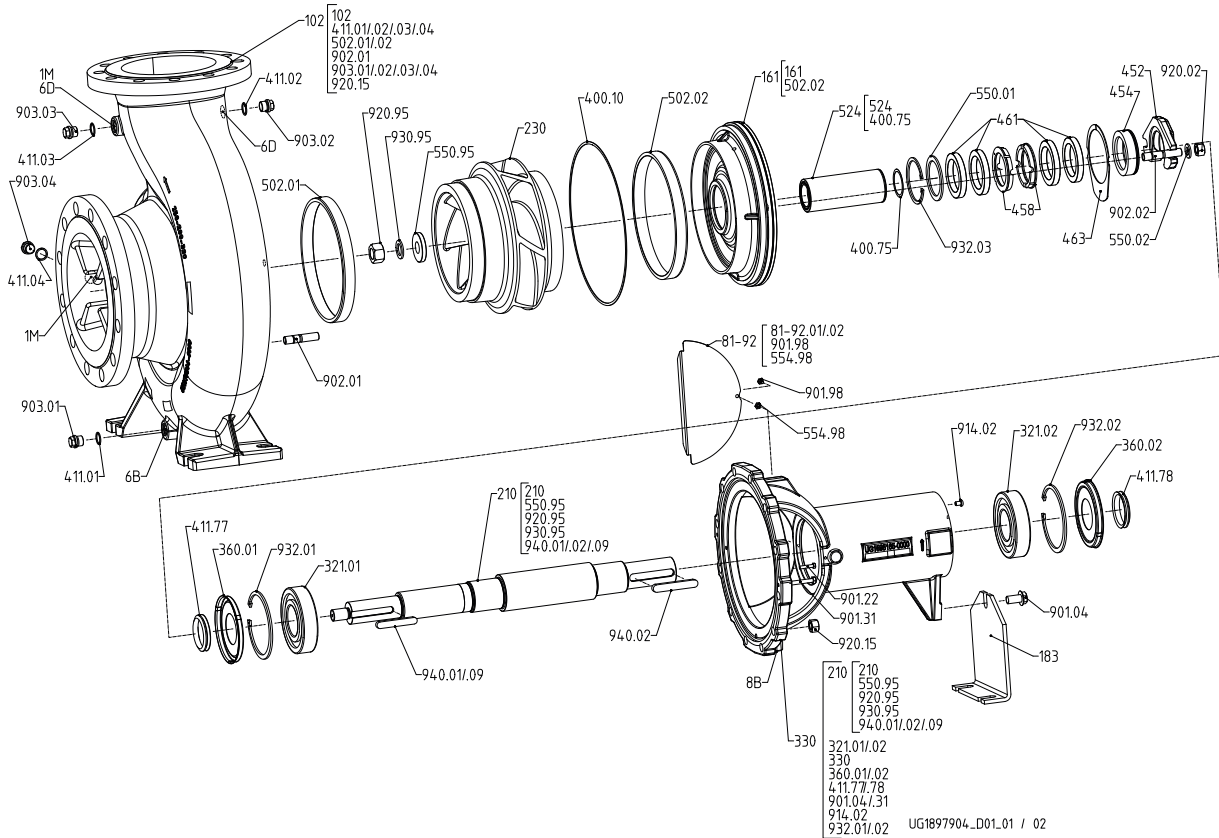


Fig. 31: Version with gland packing and clamped casing cover

Table 40: List of components

Part No.	Description	Part No.	Description
102	Volute casing	461	Gland packing
161	Casing cover	502.01/02	Casing wear ring
183	Support foot	524	Shaft protecting sleeve
210	Shaft	550.95	Disc
230	Impeller	554.98	Lock washer
321.01/02	Deep groove ball bearing	81-92.01/02	Cover plate
330	Bearing bracket	901.04/.22/.31/.98	Hexagon head bolt
360.01/02	Bearing cover	902.01/02	Stud
400.10/75	Gasket	903.01/02/.03/04	Screw plug
411.01/02/.03/04	Joint ring	914.02	Round-head screw
411.77/78	Axial seal ring	920.01/02/.95	Hexagon nut
452	Gland follower	930.95	Spring washer
454	Stuffing box ring	932.01/02	Circlip
458	Lantern ring	940.01/02/.09	Key

Table 41: Connections

Part No.	Description	Part No.	Description
1M	Pressure gauge with connection	6D	Fluid priming and venting
6B	Fluid drain	8B	Leakage drain

9.1.5 Version with oil lubrication and constant level oiler

Table 42: This illustration applies to the following pump sizes:

150-125-510	200-150-510	250-200-275	300-250-295	350-300-350
	200-200-250	250-200-320	300-250-295.1	350-300-350.1
		250-200-375	300-250-320	350-300-375
		250-200-435	300-250-375	350-300-435
		250-200-510	300-250-435	350-300-510
			300-250-510	

[Supplied in packaging units only

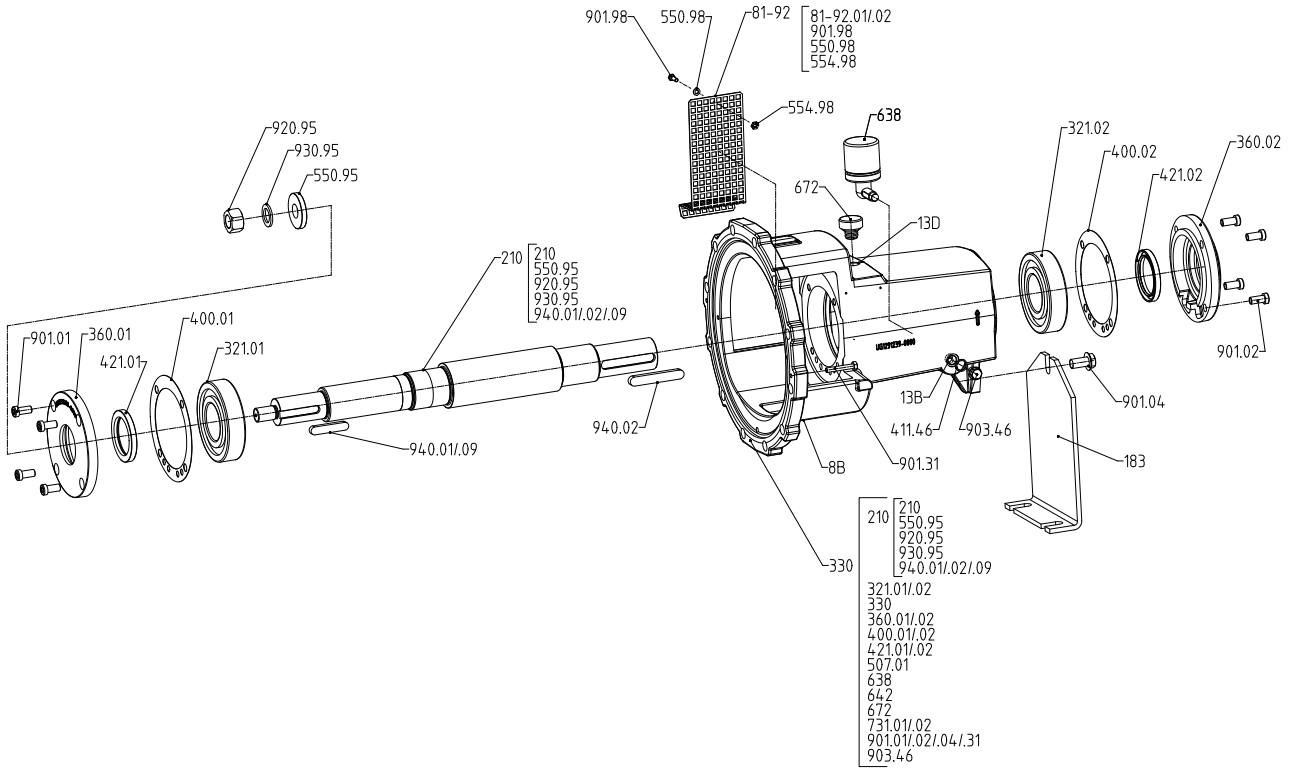


Fig. 32: Version with oil lubrication and constant level oiler

Table 43: List of components¹⁹⁾

Part No.	Description	Part No.	Description
183	Support foot	554.98	Lock washer
210	Shaft	638	Constant level oiler
330	Bearing bracket	672	Vent
321.01/02	Deep groove ball bearing	81-92.1/2	Cover plate
360.01/02	Bearing cover	901.01/02/04/31/98	Hexagon head bolt
400.01/02	Gasket	903.46	Screw plug
411.46	Joint ring	920.95	Hexagon nut
421.01/02	Lip seal	930.95	Spring washer
507.01	Thrower	940.01/02/09	Key
550.95/98	Disc		

¹⁹⁾ Some individual components might not be applicable, depending on the pump size and material.

Table 44: Connections

Part No.	Description	Part No.	Description
8B	Leakage drain	13D	Oil filling and venting
13B	Oil drain		

10 EU Declaration of Conformity

Manufacturer: **KSB SE & Co. KGaA**
Johann-Klein-Straße 9
67227 Frankenthal (Germany)

The manufacturer herewith declares that the product:

Etanorm (complementary sizes)

KSB order number:

- is in conformity with the provisions of the following directives / regulations as amended from time to time:
 - Pump (set): 2006/42/EC Machinery Directive

The manufacturer also declares that

- the following harmonised international standards²⁰⁾ have been applied:
 - ISO 12100
 - EN 809

Person authorised to compile the technical file:

Name
Function
Address (company)
Address (street, No.)
Address (post or ZIP code, city) (country)

The EU Declaration of Conformity was issued in/on:

Place, date

.....²¹⁾.....

Name
Function
Company
Address

²⁰⁾ Apart from the standards listed here referring to the Machinery Directive, further standards are observed for explosion-proof versions (ATEX Directive) as applicable and are listed in the legally binding EU Declaration of Conformity.

²¹⁾ A signed, legally binding EU Declaration of Conformity is supplied with the product.

Index

A

Applications 9
 Auxiliary connections 30

B

Bearing temperature 49
 Bearings 21

C

Clearances 50
 Commissioning 37
 Configuration 22
 Constant level oiler 37
 Coupling 50
 Coupling alignment 31, 32

D

Design 21
 Direction of rotation 36
 Dismantling 55
 Disposal 15

E

Event of damage 7
 Ordering spare parts 67
 Exploded view 70, 72, 74, 76, 78
 Explosion protection 11, 24, 30, 31, 33, 34, 35, 36, 38,
 40, 43, 44, 47, 48, 49, 50, 51

F

Faults
 Causes and remedies 68
 Filter 27, 50
 Final check 39
 Fluid handled
 Density 45
 Frequency of starts 44
 Function 22

G

General assembly drawing 70, 72, 74, 76, 78
 Gland packing 41, 56
 Grease lubrication
 Grease quality 53
 Intervals 52

I

Impeller type 21

Installation

 Installation on a foundation 25
 without foundation 26
 Installation at site 24
 Intended use 9

K

Key to safety symbols/markings 8

L

Leakage rate 41
 Lubrication 22

M

Maintenance 48
 Mechanical seal 41
 Monitoring equipment 12

N

Name plate 20
 Noise characteristics 23

O

Oil lubrication
 Intervals 51
 Oil quality 51
 Oil quantity 52
 Operating limits 43
 Order number 7
 Other applicable documents 7

P

Partly completed machinery 7
 Permissible forces at the pump nozzles 28
 Piping 27
 Preservation 14, 45
 Priming and venting 39
 Product code 16
 Product description 16
 Pump casing 21
 Pure graphite packing 41

R

Reassembly 55, 58
 Return to supplier 14
 Returning to service 46
 Running noises 48

S

- Safety 9
- Safety awareness 10
- Scope of supply 23
- Shaft seal 21
- Shutdown 45
- Spare part
 - Ordering spare parts 67
- Spare parts stock 67
- Start-up 40
- Storage 14, 45

T

- Temperature limits 11
- Tightening torques 65, 66
 - Shaft seal 66
- Transport 13

W

- Warnings 8
- Warranty claims 7



KSB SE & Co. KGaA

Johann-Klein-Straße 9 • 67227 Frankenthal (Germany)

Tel. +49 6233 86-0

www.ksb.com

1309.8/02-EN (05072980)